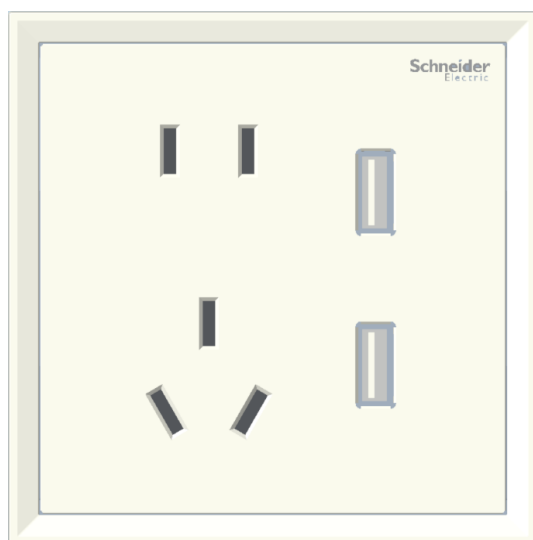


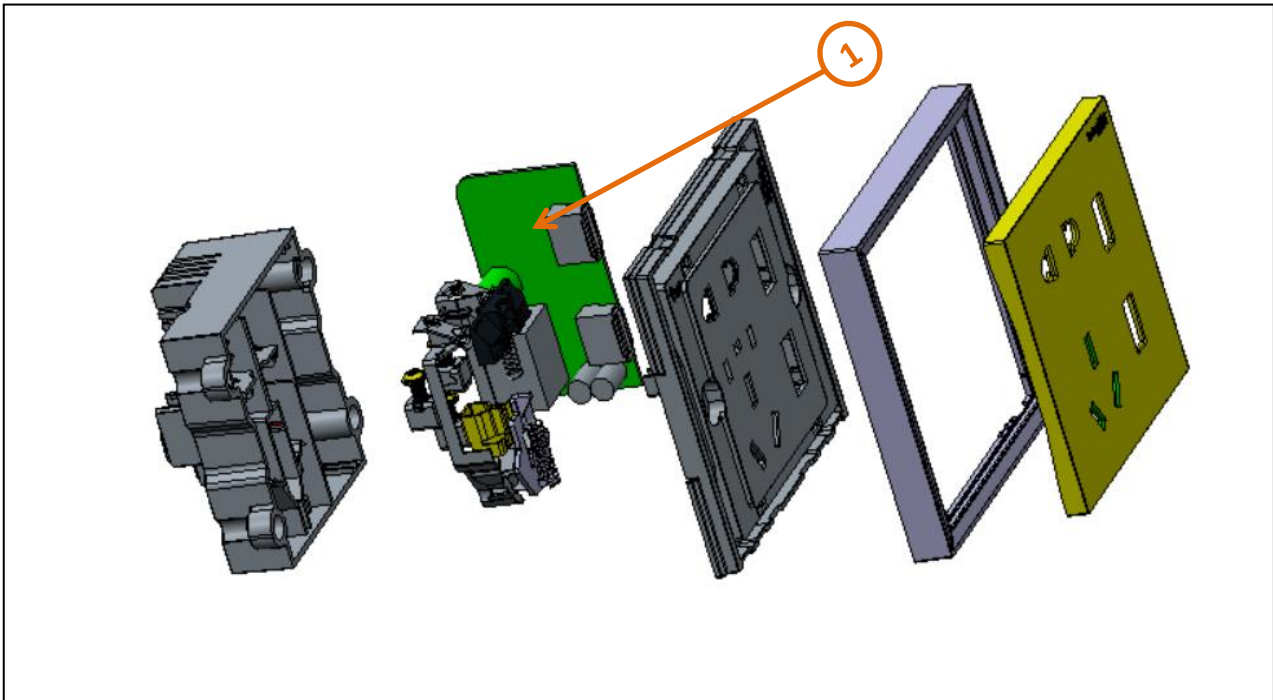
Product End of Life Instructions

Cuadro 10A 250V 5 PIN SKT WITH 2G USB 3.1A WE





End of Life Instructions



Recommendation	Number on drawing	Component / Material	Weight (in g)	Comment
To be depolluted	1	Electronic Board (Communication) > 10cm ²	40.7	including all soldering parts

Product description

Manufacturer identification	Schneider Electric Industries SAS
Brand name	Schneider Electric
Product function	The main function of the socket outlet is to allow users to connect and disconnect the plug of an electrical load or the source of a signal from a network.
Product reference	C2E42610U2_WE_C1
Total representative product mass	125 g
Representative product dimensions	86mm x 86 mm x 40mm
Accessories	No
Date of information release	2023/08

Additional information

Legal information	The product family must be disposed according to the legislation of the country. This document is intended for use by end of life recyclers or treatment facilities. It provides the basic information to assure an appropriate end of life treatment for the components and materials of the product.	
In case of special transportation: transportation method	No	
Recyclability potential	16%	Recyclability rate has been calculated based on REEECY'LAB tool developed by Ecosystem, for components/materials not covered by the tool, data from the "ECO'DEEE recyclability and recoverability calculation method" was taken. If no data was found a conservative assumption was used (0% recyclability).

Schneider Electric Industries SAS
Country Customer Care Center
<http://www.schneider-electric.com/contact>
35, rue Joseph Monier
CS 30323
F- 92500 Rueil Malmaison Cedex
RCS Nanterre 954 503 439
Capital social 896 313 776 €

www.se.com

ENVEOLI1808007_V2

Published by Schneider Electric

© 2023 - Schneider Electric – All rights reserved

2023/08