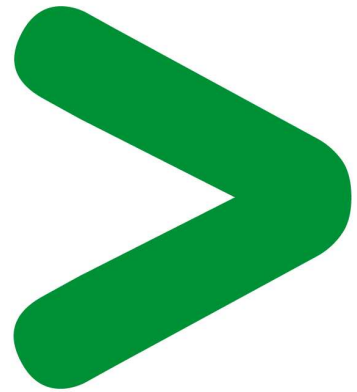


Product End-of-Life Instructions

VEGETA

Natural Ester Oil filled Distribution Transformer (ODT)



Product End-of-Life Instructions – EoLI

Product overview

Product Range: Vegeta – Up to and including 3150kVA power rating and 36-kV maximum operating voltage

Size: H x L x D in mm (min.) = 800 x 600 x 1000
H x L x D in mm (max.) = 3500 x 3000 x 3500

Weight: in kg= between 400~8000

Purpose

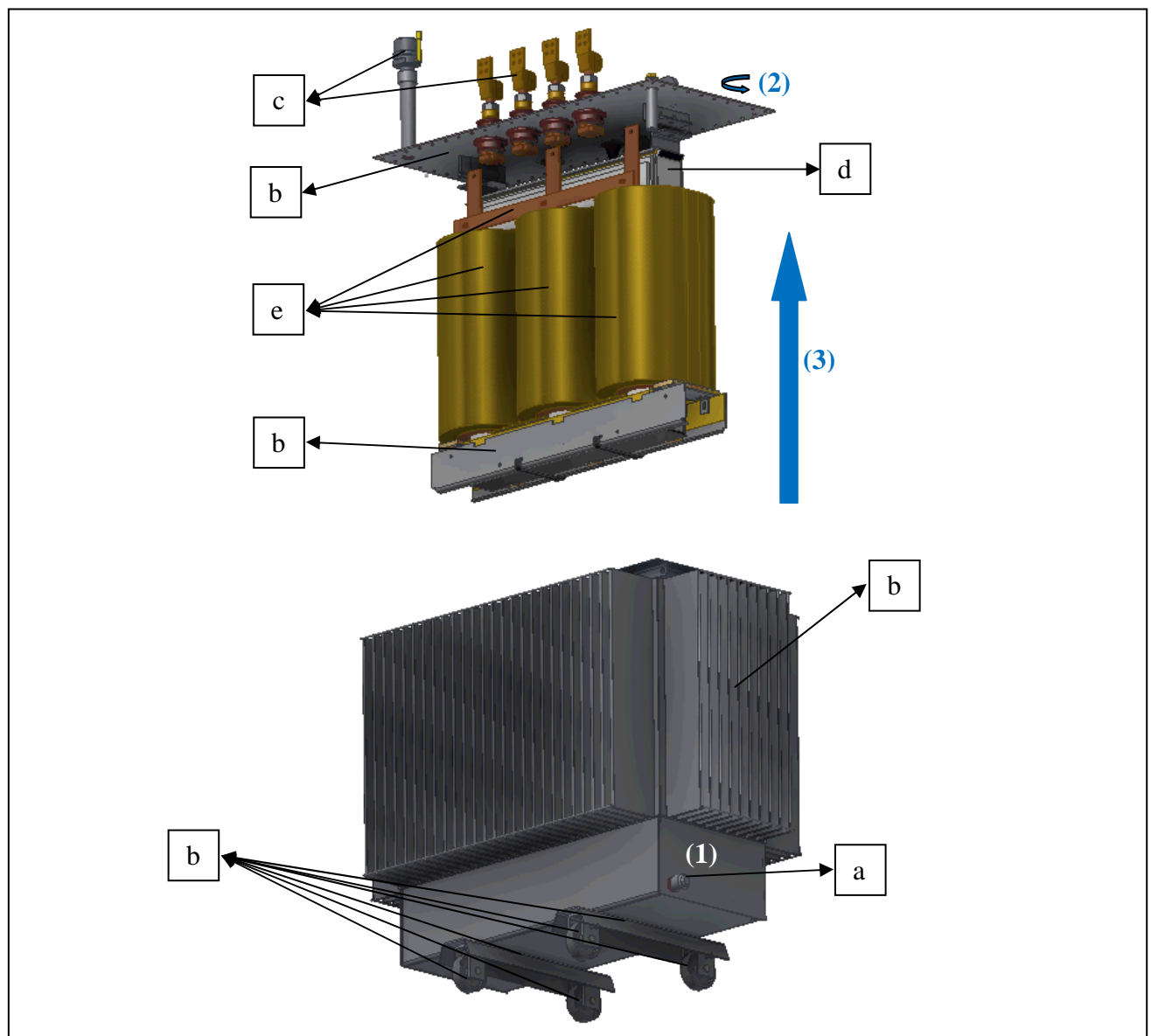
The product family must be disposed according to the legislation of the country. This document is intended for use by end of life recyclers or treatment facilities. It provides the basic information to assure an appropriate end of life treatment for the components and materials of the product.

Operations recommended for the end of life treatment

There are several steps to process the products at the end of life so as to recover components, materials or energy :

Reuse → Separation for special treatment → Other dismantling → Shredding

The components of the products that optimize the recycling performances are listed, identified and located hereunder.



Product End-of-Life Instructions – EoLI

Recommendation	Number on drawing	Components	Weight (in kg)	Comment
Dismantling	(1)	-	-	Open oil draining valve
	(2)	-	-	Unscrew the cover
	(3)	-	-	Lift the active part
	a	Dielectric fluid	150~2000	Vegetable oil
	b	Steel parts	150~2000	Tank, cover, clampings, rollers
	c	Accessories	0.5~10	Bushings, protection & measuring devices
	d	Core	200~2500	Magnetic steel
	e	Conductors	50~1000	Aluminium

Vegeta transformers don't contain any high risky part which may create a hazard for human health or environmental during dismantling process. Nevertheless, necessary attention should be paid.

Vegetable oil (a) drained from the tank should be eliminated as waste according to its technical data sheet and material safety data sheet. The global impact of vegetable oil is around ¼ of mineral oil.

Conductors (e) may contain paper insulation material which will be turned to burnt remains after long term high temperature operation. These remains should be separated carefully from the main conductor material since they have low level contamination impact on environmental.

EoLI achieved with Schneider-Electric TT03 V5 procedure

Schneider Electric Industries SAS

35, rue Joseph Monier
 CS 30323
 F- 92506 Rueil Malmaison Cedex
 RCS Nanterre 954 503 439
 Capital social 896 313 776 €

www.schneider-electric.com