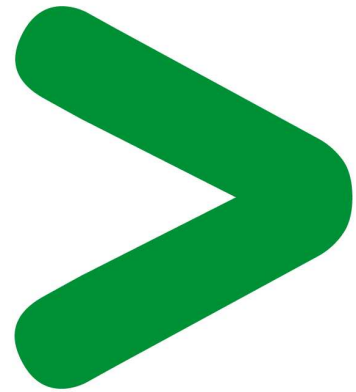
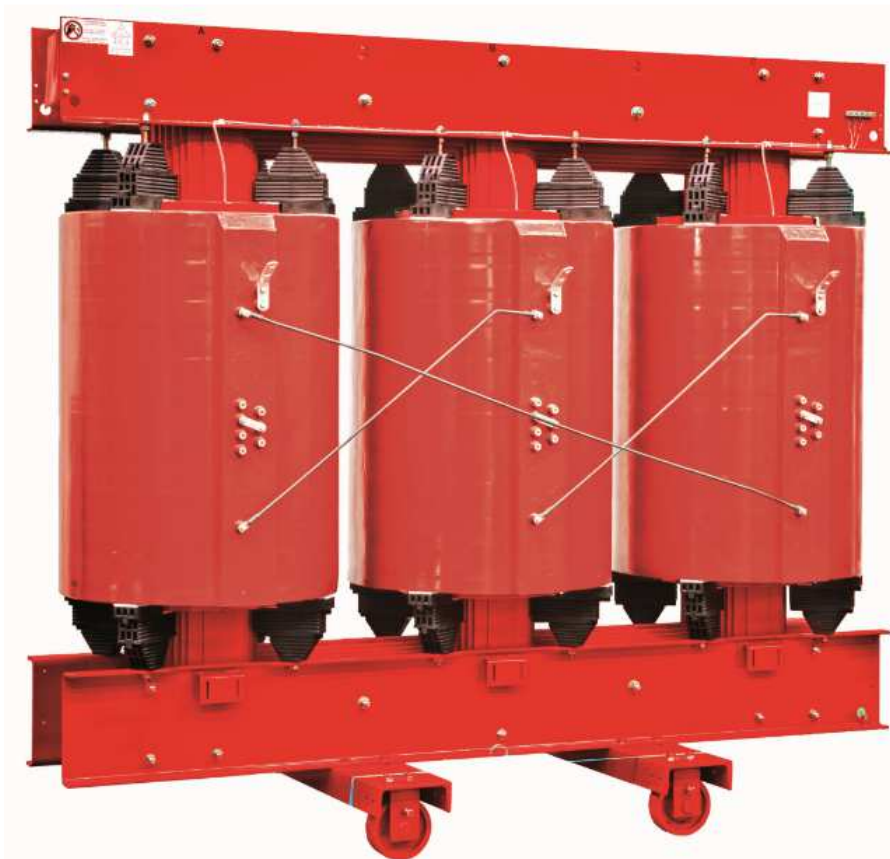


# Product End-of-Life Instructions

## TRICAST

*Cast Resin Distribution Transformer*



**Schneider**  
Electric

# Product End-of-Life Instructions – EoLI

## Product overview

**Product Range:** Tricast (Turkey) – Up to and including 20MVA power rating and 36kV maximum operating voltage

**Size:** H x L x D in mm (min.) = 900 x 600 x 900  
H x L x D in mm (max.) = 4200 x 1900 x 3600

**Weight:** in kg= between 600~36000

## Purpose

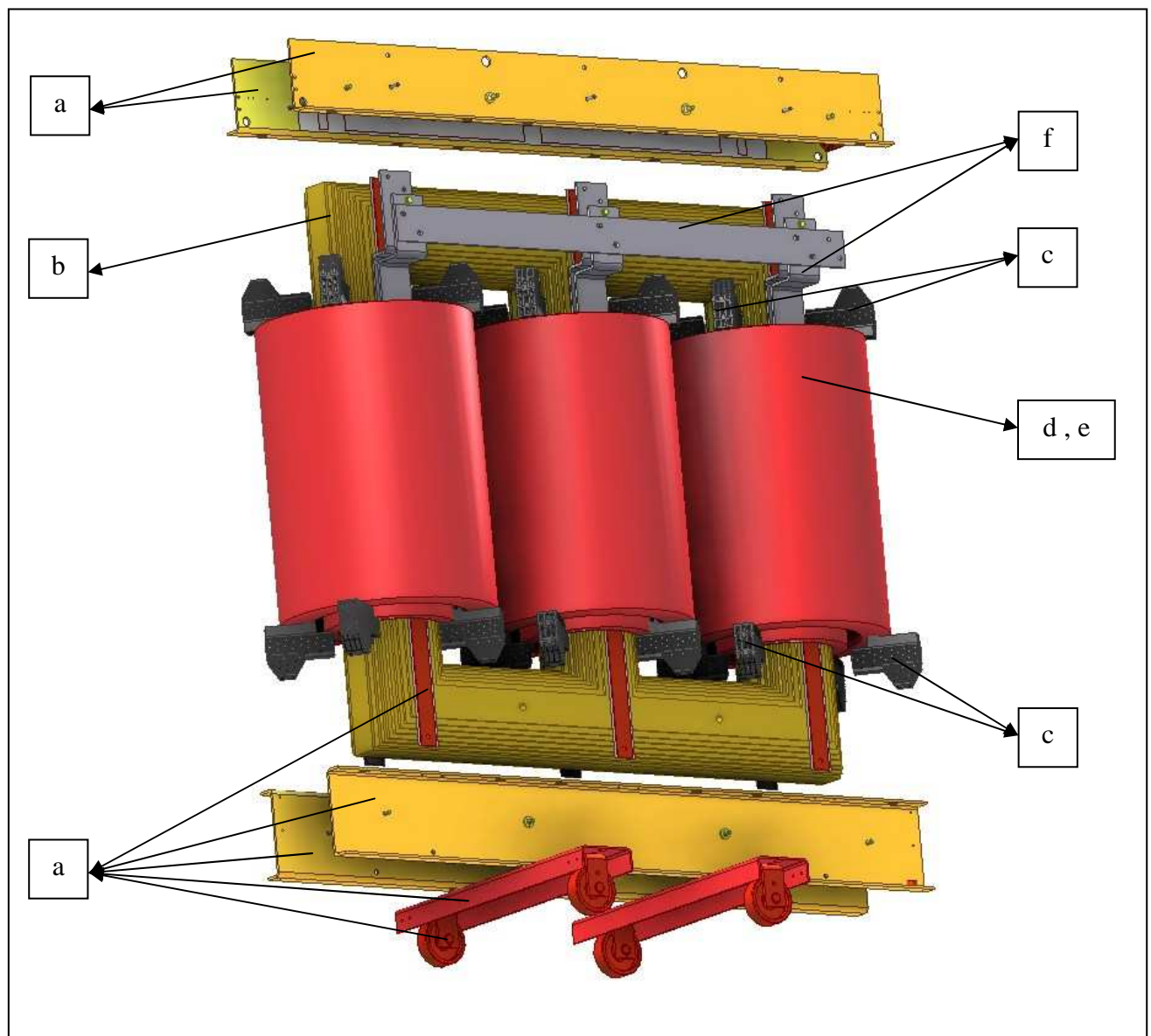
The product family must be disposed according to the legislation of the country. This document is intended for use by end of life recyclers or treatment facilities. It provides the basic information to assure an appropriate end of life treatment for the components and materials of the product.

## Operations recommended for the end of life treatment

There are several steps to process the products at the end of life so as to recover components, materials or energy :

Reuse → Separation for special treatment → Other dismantling → Shredding

The components of the products that optimize the recycling performances are listed, identified and located hereunder.



## Product End-of-Life Instructions – EoLI

Recommendation	Number on drawing	Components	Weight (in kg)	Comment
Dismantling	a	Steel parts	100~5000	Clampings, rollers
	b	Core	300~25000	Magnetic steel
	c	Plastic parts	30~250	Support wedges
	d	Resin	100~3500	Coil insulation
	e	Conductors	30~5000	Aluminium or copper
	f	Bars	20~100	Aluminium or copper

In Trihal transformers, there is no component which may effect on human health or environmental pollution during dismantling process.

Conductors (e) inside the coils are integrated with cast resin and need to be separated to be included in recycling process.

---

EoLI achieved with Schneider-Electric TT03 V5 procedure

---

### Schneider Electric Industries SAS

35, rue Joseph Monier  
CS 30323  
F- 92506 Rueil Malmaison Cedex  
RCS Nanterre 954 503 439  
Capital social 896 313 776 €

[www.schneider-electric.com](http://www.schneider-electric.com)