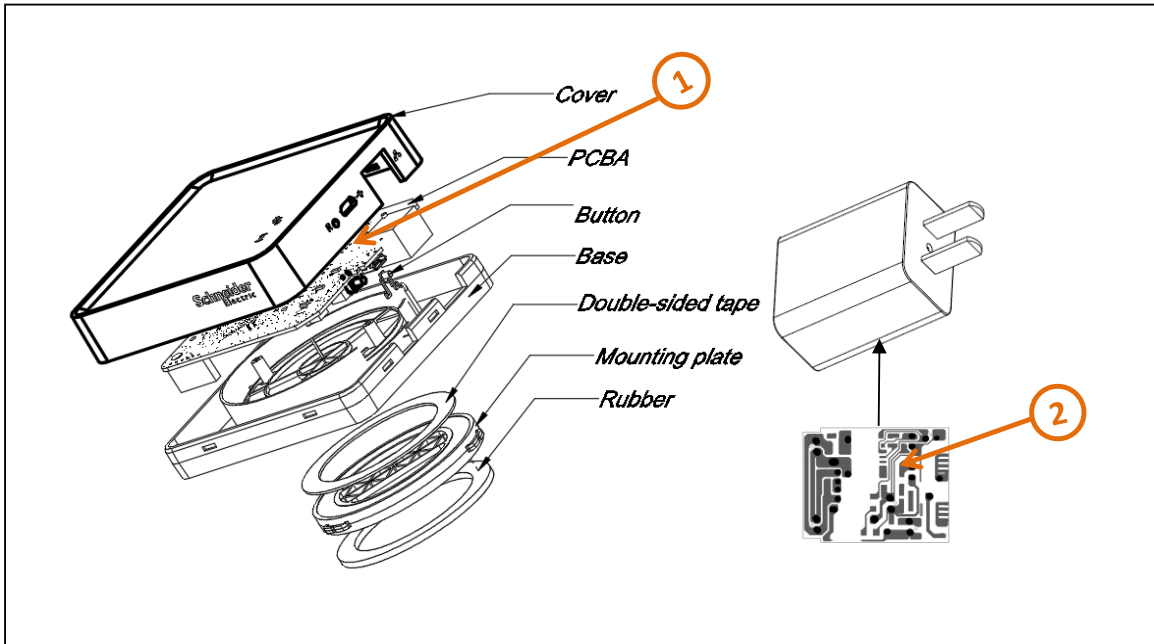


Product End of Life Instructions

Wiser Basic Hub



End of Life Instructions



Recommendation	Number on drawing	Component / Material	Weight (in g)	Comment
To be depolluted	1	Electronic Board (Communication) > 10cm ²	20.59	Including all soldering parts
To be depolluted	2	Electronic Board (Communication) > 10cm ²	11.27	Including all soldering parts

Product description

Manufacturer identification	Schneider Electric Industries SAS
Brand name	Schneider Electric
Product function	The Wisser Basic Hub is a communication interface that can be connected to all your Wisser devices, enabling you to easily manage your home environment.
Product reference	CCT501700
Total representative product mass	172.59 g
Representative product dimensions	90mm x 90mm x 24mm
Accessories	No
Date of information release	09/2021



Additional information

Legal information	The product family must be disposed according to the legislation of the country. This document is intended for use by end of life recyclers or treatment facilities. It provides the basic information to assure an appropriate end of life treatment for the components and materials of the product.	
In case of special transportation: transportation method	No	
Recyclability potential	20%	Based on "ECO'DEEE recyclability and recoverability calculation method" (version V1, 20 Sep. 2008 presented to the French Agency for Environment and Energy Management: ADEME).

Schneider Electric Industries SAS
 Country Customer Care Center
<http://www.schneider-electric.com/contact>
 35, rue Joseph Monier

CS 30323

F- 92506 Rueil Malmaison Cedex

RCS Nanterre 954 503 439

Capital social 896 313 776 €

www.schneider-electric.com

ENVEOLI2108012_V1

Published by Schneider Electric

© 2019 - Schneider Electric – All rights reserved

09/2021