

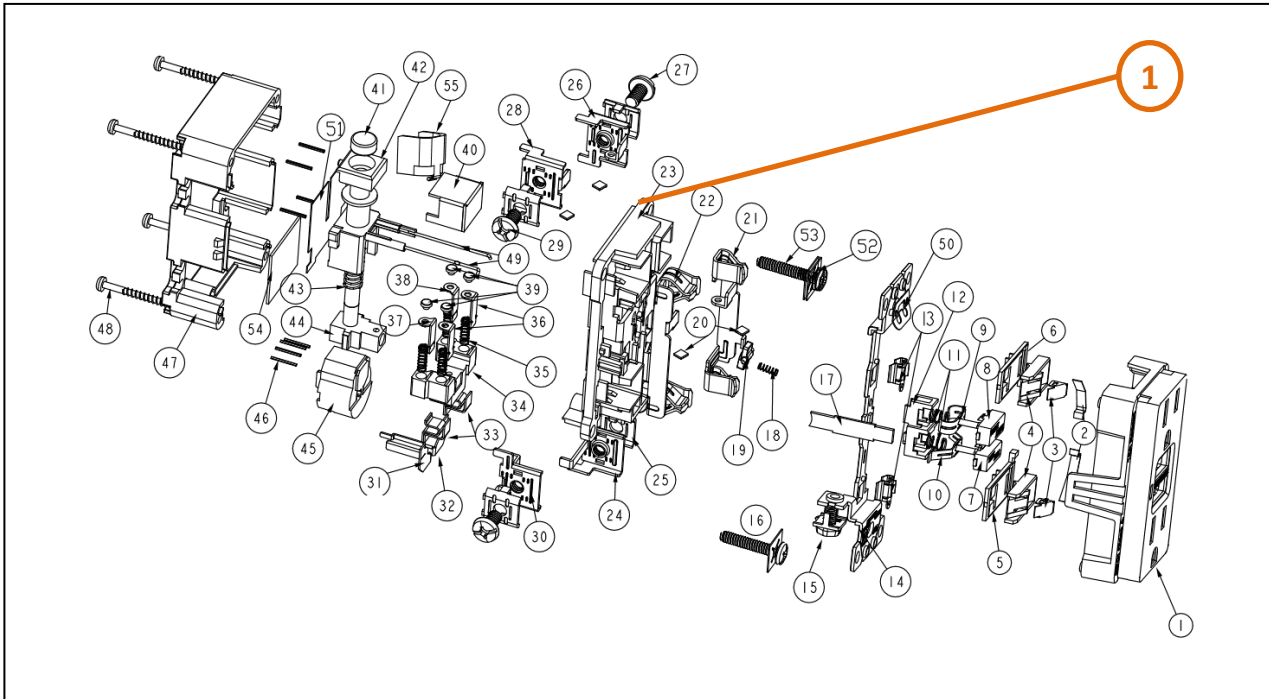
Product End of Life Instructions

TR GFCI 15A RECEPTACLE RESI





End of Life Instructions



Recommendation	Number on drawing	Component / Material	Weight (in g)	Comment
To be depolluted	①	Electronic Board (Communication) > 10cm ²	11.2	18.14cm ²



Product description

Manufacturer identification	Schneider Electric Industries SAS
Brand name	Square D
Product function	A GFCI receptacle is different from conventional receptacles. In the event of a ground fault, a GFCI will trip and quickly stop the flow of electricity to prevent serious injury.
Product reference	SQR51101WH
Total representative product mass	130.2 g
Representative product dimensions	68mm x 40mm x 41mm
Accessories	No
Date of information release	08/2020



Additional information

Legal information

The product family must be disposed according to the legislation of the country. This document is intended for use by end of life recyclers or treatment facilities. It provides the basic information to assure an appropriate end of life treatment for the components and materials of the product.

In case of special transportation: transportation method	No	
Recyclability potential	47%	Based on "ECO'DEEE recyclability and recoverability calculation method" (version V1, 20 Sep. 2008 presented to the French Agency for Environment and Energy Management: ADEME).

Schneider Electric Industries SAS

Country Customer Care Center

<http://www.schneider-electric.com/contact>

35, rue Joseph Monier

CS 30323

F- 92506 Rueil Malmaison Cedex

RCS Nanterre 954 503 439

Capital social 896 313 776 €

www.schneider-electric.com

Published by Schneider Electric

ENVEOLI2005012_V1

© 2019 - Schneider Electric – All rights reserved

08/2020