

Product End of Life Instructions

QO® Whole Home Surge Protection Device



 **Potential disassembly risks**

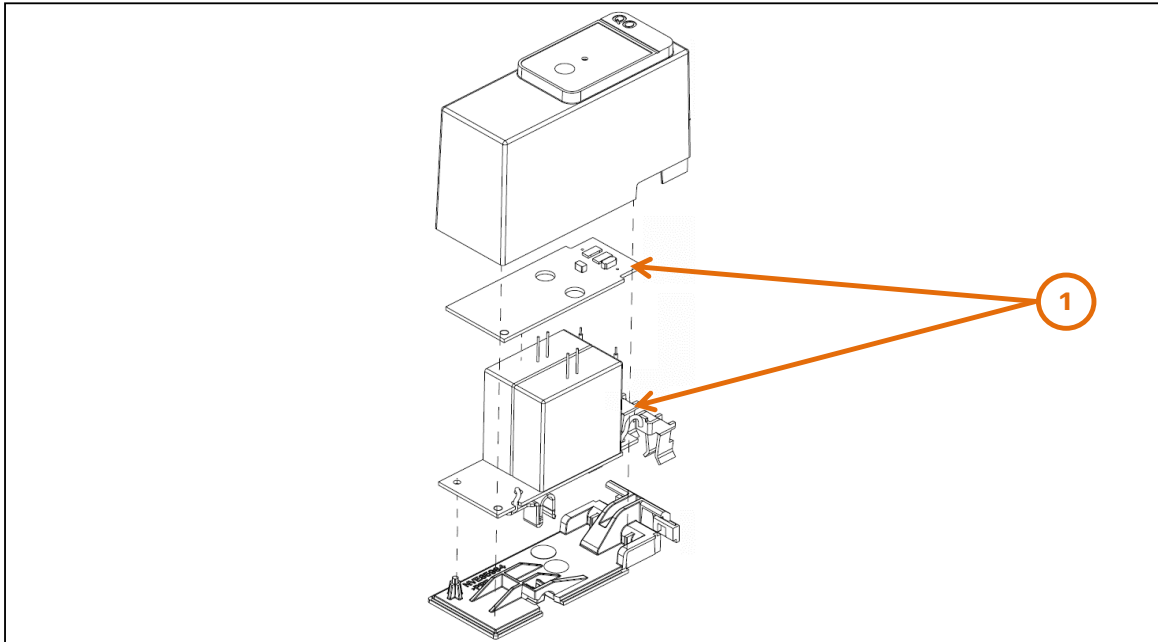
⚠ DANGER

HAZARD OF ELECTRIC SHOCK, EXPLOSION OR ARC FLASH

- Apply appropriate personal protective equipment (PPE) and follow safe electrical work practices. See NFPA 70E.
- This equipment must be removed from service only by qualified electrical personnel.
- Turn off all power supplying this equipment before working on or inside equipment.
- Always use a properly rated voltage sensing device to confirm power is off.
- Replace all devices, doors and covers before turning on power to this equipment.

Failure to follow these instructions will result in death or serious injury.

 **End of Life Instructions**



Recommendation	Number on drawing	Component / Material	Weight (in g)	Comment
To be depolluted	1	Electronic Board (Power) > 10cm²	97	



Product description

Manufacturer identification	Schneider Electric USA, Inc
Brand name	Square D
Product function	The plug-on neutral surge protective device provides whole house surge protection for all 120/240 V loads fed by the Square D™ brand QO™ plug-on neutral load centers and CSED where it is installed.
Product reference	QO250PSPD
Additional similar product references	QO250PSPD CQO250PSPD
Total representative product mass	161.2 g
Representative product dimensions	65mm x 100mm x 37mm
Date of information release	06/2017



Additional information

Legal information	The product family must be disposed according to the legislation of the country. This document is intended for use by end of life recyclers or treatment facilities. It provides the basic information to assure an appropriate end of life treatment for the components and materials of the product.	
Recyclability potential	39%	Based on "ECO'DEEE recyclability and recoverability calculation method" (version V1, 20 Sep. 2008 presented to the French Agency for Environment and Energy Management: ADEME).

Schneider Electric USA, Inc
Country Customer Care Center
<http://www2.schneider-electric.com/sites/corporate/en/support/operations/local-operations/local-operations.page>
1-888-SquareD (1-888-778-2733)
800 Federal Street
Andover, MA 01810

www.schneider-electric.com

ENVEOLI1706015

Published by Schneider Electric

© 2016 - Schneider Electric – All rights reserved

06/2017