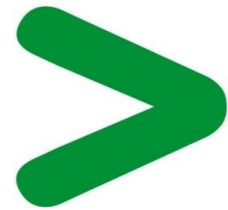
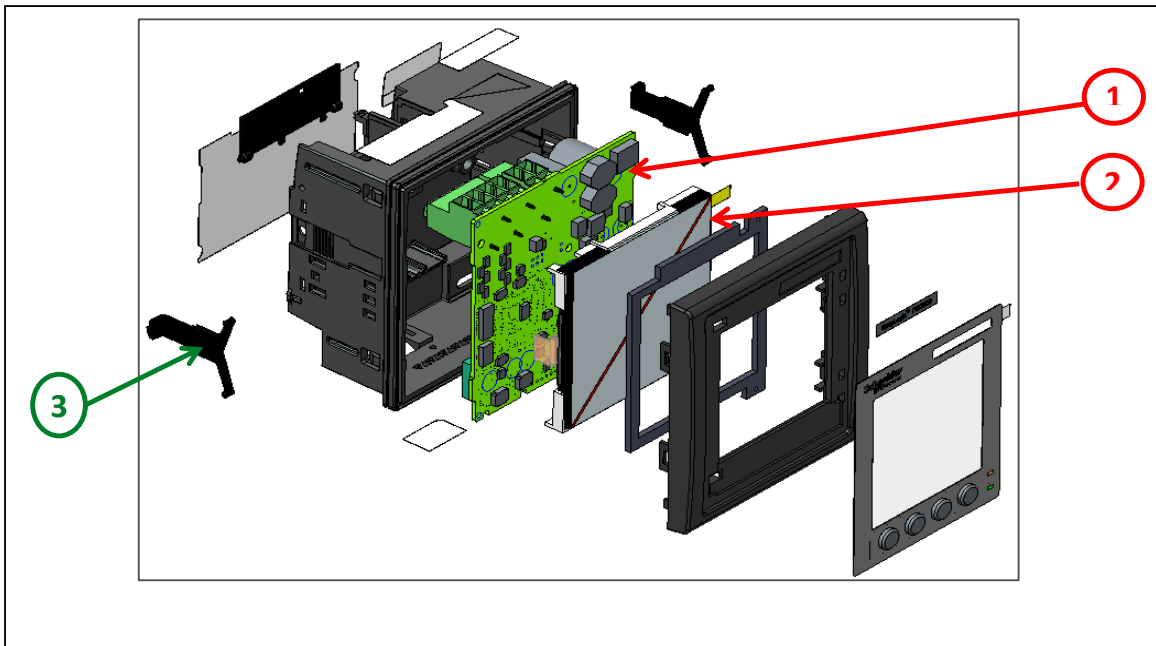


Product End of Life Instructions

PM2210 POWER METER, RJ45 LVCT



End of Life Instructions



Recommendation	Number on drawing	Component / Material	Weight (in g)	Comment
To be depolluted	1	PM2K CONTROLLER CARD FOR LVCT	118,96	
To be dismantled	2	LCD GRAPH 128X128 FSTN W77.55H67.9D9.1MM	39,8	
To be dismantled	3	RETAINER SLIDE	2,6	
Other				
Other				

Product description

Manufacturer identification	Schneider Electric Industries SAS
Brand name	Schneider Electric
Product function	The main function of the METSEPM2210R Digital panel meters is for measurement of either VAF PF parameter or energy parameter. It has large LCD display, intuitive navigation with self-guided 4 buttons
Product reference	METSEPM2210R
Additional similar product references	METSEPM2210R
Total representative product mass	224 g
Representative product dimensions	96mm x 96mm x 62.5mm
Accessories	Retainer Clips
Date of information release	05/2017



Additional information

Legal information

This product family is in the scope of European Union directive 2012/19/EU on Waste Electrical and Electronic Equipment (WEEE). The product family must be disposed according to the legislation of the country. This document is intended for use by end of life recyclers or treatment facilities. It provides the basic information to assure an appropriate end of life treatment for the components and materials of the product.

Recyclability potential

2%

Based on "ECO'DEEE recyclability and recoverability calculation method" (version V1, 20 Sep. 2008 presented to the French Agency for Environment and Energy Management: ADEME).

Schneider Electric Industries SAS

Country Customer Care Center
<http://www.schneider-electric.com/contact>

35, rue Joseph Monier
 CS 30323
 F- 92506 Rueil Malmaison Cedex
 RCS Nanterre 954 503 439
 Capital social 896 313 776 €

www.schneider-electric.com

ENVEOLI1705005_V1

Published by Schneider Electric

© 2016 - Schneider Electric – All rights reserved

05/2017