

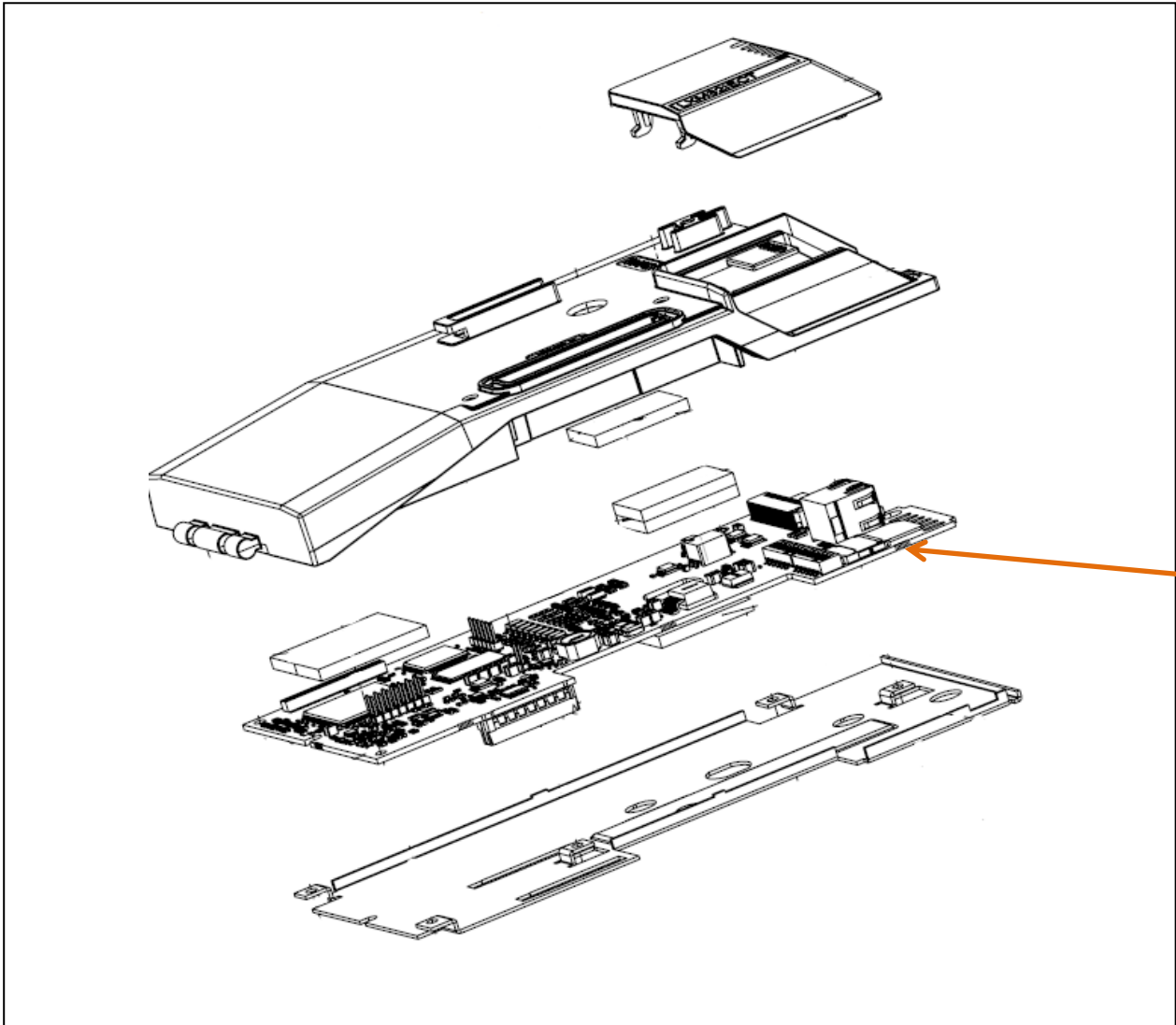
# Product End of Life Instructions

## Ethernet Drive Control Unit





## End of Life Instructions



Recommendation	Number on drawing	Component / Material	Weight (in g)	Comment
To be depolluted	1	Electronic Board (Communication) > 10cm <sup>2</sup>	79,7	



## Product description

Manufacturer identification	Schneider Electric Industries SAS
Brand name	Schneider Electric
Product reference	LXM32iETH
Additional similar product references	LXM32iCAN, LXM32iECT,LXM32iETH
Total representative product mass	501,1

Representative product dimensions	212.2 x 98.9 x 35.4
Date of information release	10/2016

## Additional information

Legal information	This product family is in the scope of European Union directive 2012/19/EU on Waste Electrical and Electronic Equipment (WEEE). The product family must be disposed according to the legislation of the country. This document is intended for use by end of life recyclers or treatment facilities. It provides the basic information to assure an appropriate end of life treatment for the components and materials of the product.	
Recyclability potential	<b>72%</b>	Based on "ECO'DEEE recyclability and recoverability calculation method" (version V1, 20 Sep. 2008 presented to the French Agency for Environment and Energy Management: ADEME).

Schneider Electric Industries SAS  
 Schneider Electric Country Customer Care Center  
 35, rue Joseph Monier  
 CS 30323  
 F- 92506 Rueil Malmaison Cedex  
 RCS Nanterre 954 503 439  
 Capital social 896 313 776 €

[www.schneider-electric.com](http://www.schneider-electric.com)

ENVEOLI1609004\_V1

Published by Schneider Electric

© 2016 - Schneider Electric – All rights reserved

10/2016