

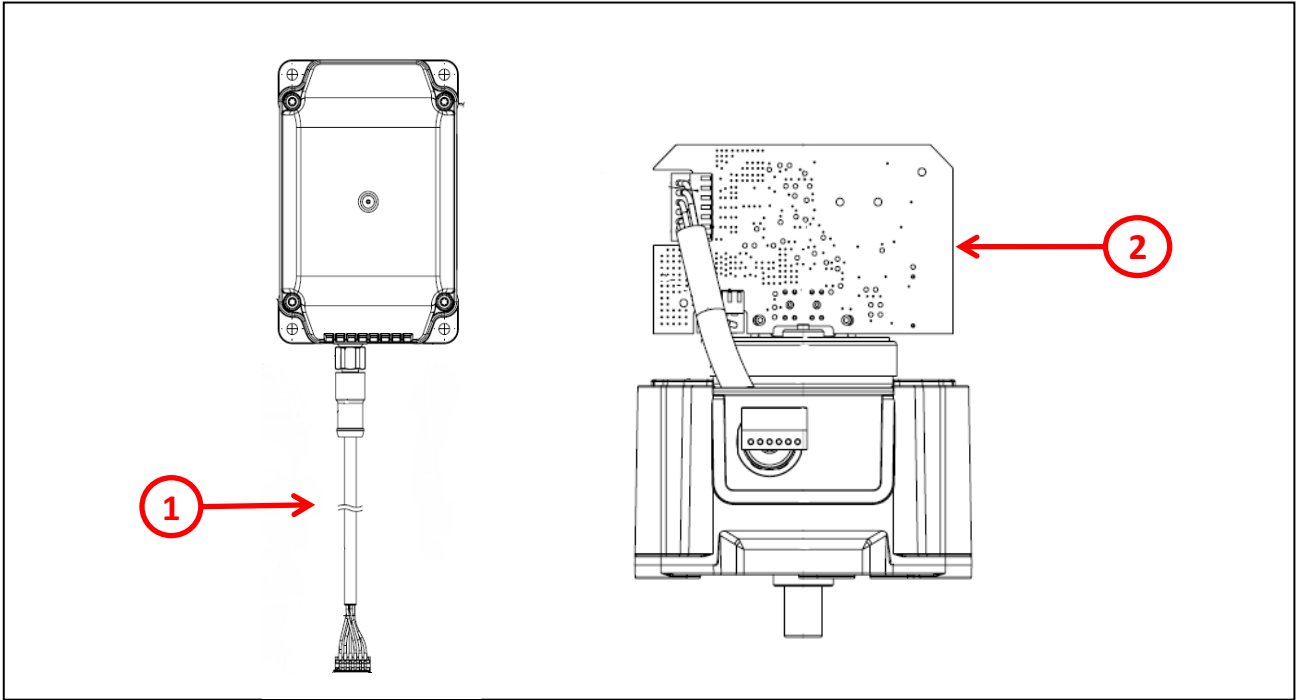
# Circularity Profile

## STE Q3 Actuator





## End of Life Instructions



Recommendation	Number on drawing	Component / Material	Weight (in g)	Comment
To be depolluted	1	Cable (low current)	87,6	
To be depolluted	2	Electronic Board (Power) > 10cm <sup>2</sup>	29,8	



## Product description

Manufacturer identification	Schneider Electric Industries SAS
Brand name	Schneider Electric
Product function	The main purpose of the STE Q3 Actuator range (1,2 Nm – 10 Nm) is to provide a special damper or valve actuator for different applications to optimize the burning process on oil or gas burners.
Product commercial reference	0044551517026
Total representative product mass	1394,6 g
Representative product dimensions	116 mm x 136 mm x 90 mm
Date of information release	05/2020



## Additional information

Legal information	This product family is in the scope of European Union directive 2012/19/EU on Waste Electrical and Electronic Equipment (WEEE). The product family must be disposed according to the legislation of the country. This document is intended for use by end of life recyclers or treatment facilities. It provides the basic information to assure an appropriate end of life treatment for the components and materials of the product.	
Recyclability potential	<b>67%</b>	Based on “ECO'DEEE recyclability and recoverability calculation method” (version V1, 20 Sep. 2008 presented to the French Agency for Environment and Energy Management: ADEME).

Schneider Electric Industries SAS

Country Customer Care Center  
<http://www.schneider-electric.com/contact>

35, rue Joseph Monier  
CS 30323  
F- 92506 Rueil Malmaison Cedex  
RCS Nanterre 954 503 439  
Capital social 896 313 776 €

[www.schneider-electric.com](http://www.schneider-electric.com)

ENVEOLI1509011\_V2

Published by Schneider Electric

© 2020 - Schneider Electric – All rights reserved

05/2020