

# Product End-of-Life Instructions

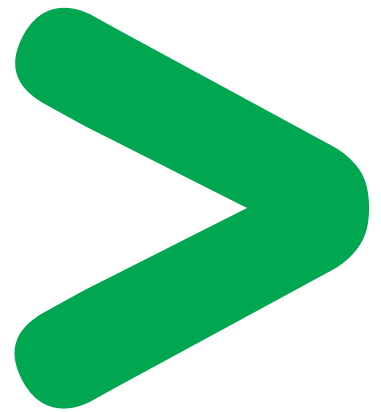
## HMI GXU

Product Range

HMI GXU

Marketing Model

HMIGXU3500, HMIGXU3512, HMIGXU5500, HMIGXU5512



**Size in mm (H x L x D):**

207 x 152.4 x 38 (without packaging)

278 x 254 x 90 (with packaging)

**Weight in g:**

840 to 1440

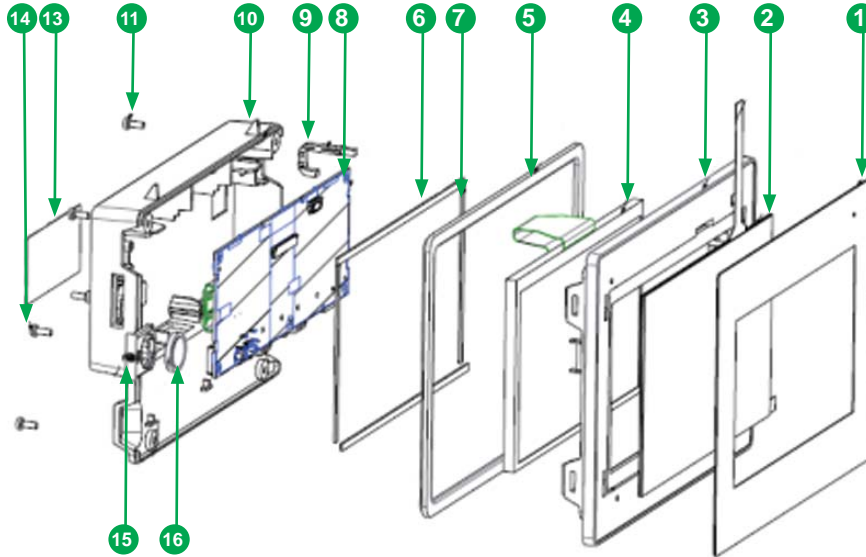


## Operations recommended for the end of life treatment

There are several steps to process the products at the end of life so as to recover components, materials or energy :

Reuse ⇒ Separation for special treatment ⇒ Other Dismantling ⇒ Shredding

The components of the products that optimize the recycling performances are listed, identified and located hereunder.



Recommendation	Number on drawing	Components	Weight (g)	Comment
Special treatment: Depollution	4	LCD	153.7	–
	8	Printed circuit board	81.8	–
	16	Battery	2.9	–

### Schneider Electric Industries SAS

35, rue Joseph Monier  
CS30323  
F - 92506 Rueil Malmaison Cedex

RCS Nanterre 954 503 439  
Capital social 896 313 776 €  
www.schneider-electric.com

The version of the Guide used to create the document: End of Life Instruction Drafting Guide of Schneider Electric version V5.

Publication : Schneider Electric