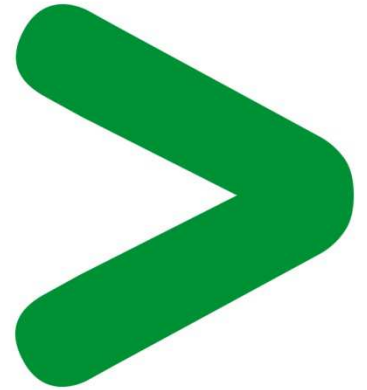
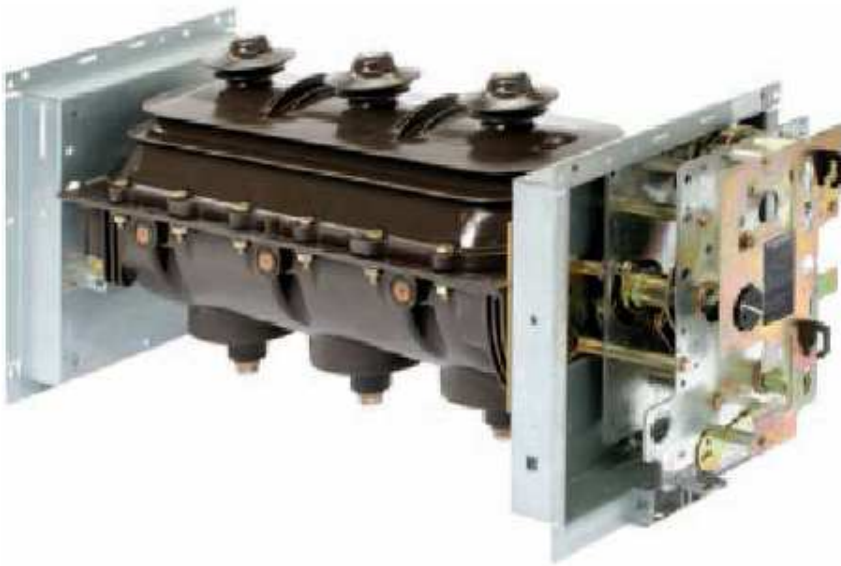


Product End-of-Life Instructions

LBSKit 12-24 Motorized Switch CIT



Product End-of-Life Instructions – EoLI

Product overview

Product Range: Indoor LBS KIT

Marketing Model/Name: PEP LBSKit 12-24 Motorized Switch CIT

Size: H x L x D in mm = **417.5 x 365 x 940**

Weight in kg = **109.5**

Purpose

The product family must be disposed according to the legislation of the country. This document is intended for use by end of life recyclers or treatment facilities. It provides the basic information to assure an appropriate end of life treatment for the components and materials of the product.

Note:

This product family is not in the scope of EU directive 2002/96/EC, Waste Electrical and Electronic Equipment (WEEE).

Operations recommended for the end of life treatment

There are several steps to process the products at the end of life so as to recover components, materials or energy :

Reuse → Separation for special treatment → Other dismantling → Shredding

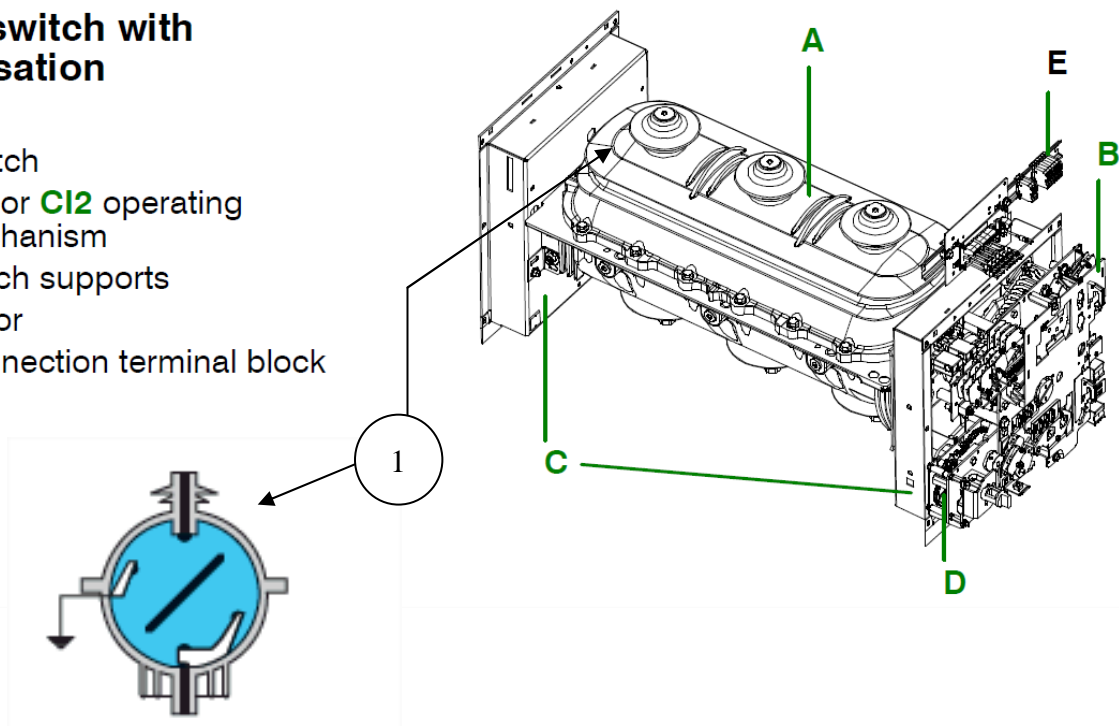
CAUTION:

Product End-of-Life Instructions – EoLI

The components of the products that optimize the recycling performances are listed, identified and located hereunder.

630 A switch with motorisation

- A : switch
- B : CIT or CI2 operating mechanism
- C : switch supports
- D : motor
- E : connection terminal block



Recommendation	Number on drawing	Components	Weight (in g)	Comment
Special treatment	1	SF6 Circuit Breaker & Switch		- to recycle: Epoxy resin, PBC - See EoLI SF6: 03805698ZA

EoLI achieved with Schneider-Electric TT03 V5 procedure

Schneider Electric Industries SAS

35, rue Joseph Monier
CS 30323
F- 92506 Rueil Malmaison Cedex
RCS Nanterre 954 503 439
Capital social 896 313 776 €

www.schneider-electric.com