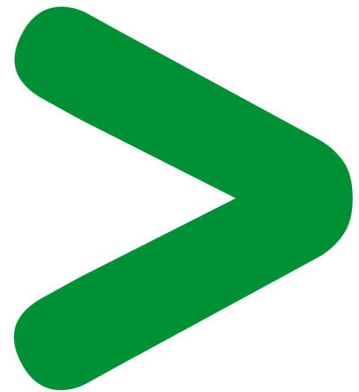


# Product End-of-Life Instructions

## **VEGETA (Turkey)**

*Vegetable oil filled MV/LV distribution transformer*



# Product End-of-Life Instructions – EoLI

## Product overview

**Product Range:** Vegeta (Turkey) – Up to and including 3150 kVA power rating & 36 kV maximum operating voltage

**Size:** H x L x D in mm (min.) = 800 x 600 x 1000  
H x L x D in mm (max.) = 3500 x 3000 x 3500

**Weight :** in kg= between 400~8000

## Purpose

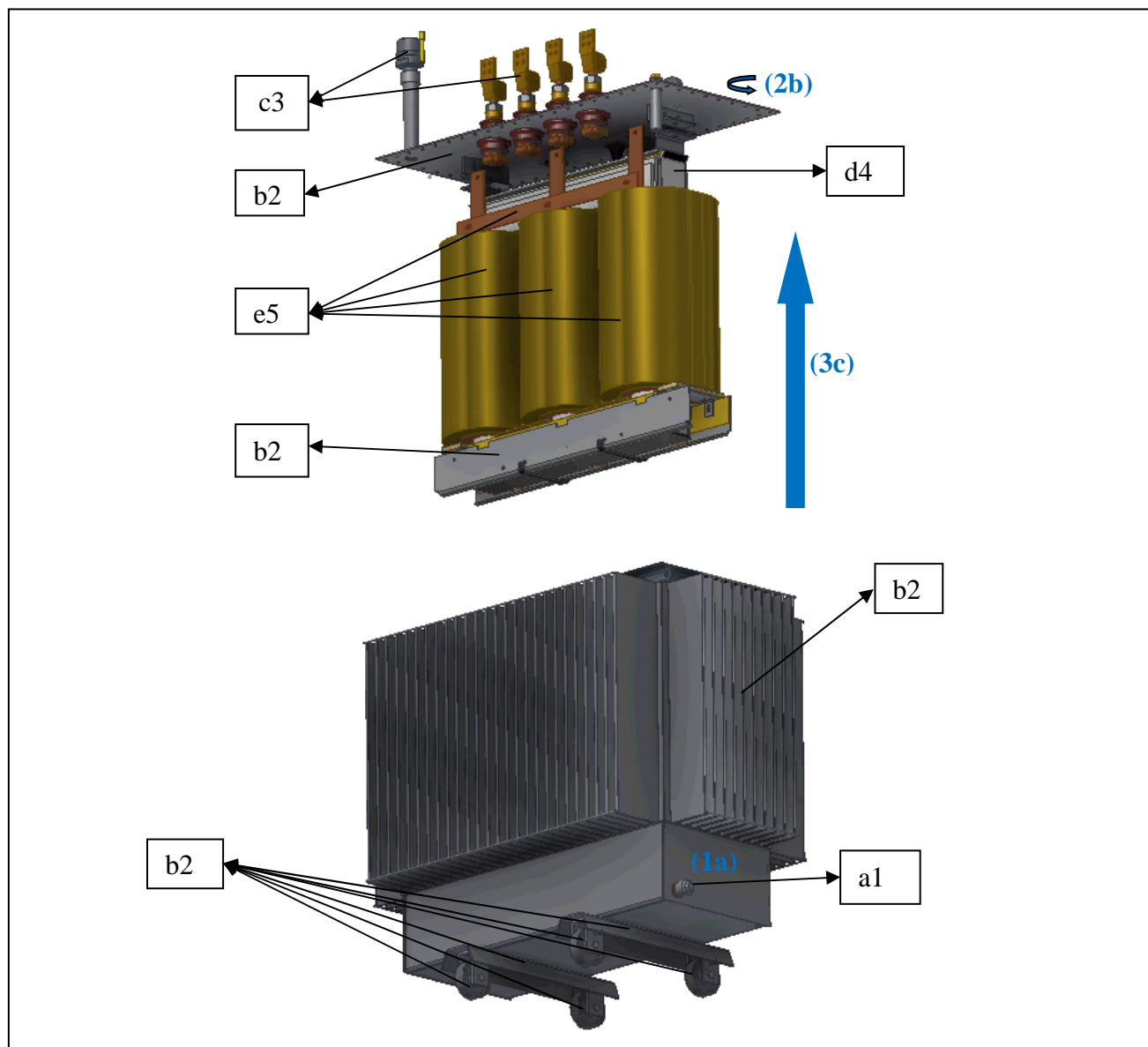
The product family must be disposed according to the legislation of the country. This document is intended for use by end of life recyclers or treatment facilities. It provides the basic information to assure an appropriate end of life treatment for the components and materials of the product.

## Operations recommended for the end of life treatment

There are several steps to process the products at the end of life so as to recover components, materials or energy :

Reuse → Separation for special treatment → Other dismantling → Shredding

The components of the products that optimize the recycling performances are listed, identified and located hereunder.



## Product End-of-Life Instructions – EoLI

Recommendation	Number on drawing	Components	Weight (in kg)	Comment
Dismantling	(1a)	-	-	Open oil draining valve
	a1	Dielectric fluid	150~2000	Vegetable oil
	(2b)	-	-	Unscrew the cover
	(3c)	-	-	Lift the active part
	b2	Steel parts	150~2000	Tank, cover, clampings, rollers
	c3	Accessories	0.5~10	Bushings, protection and measuring devices
	d4	Magnetic steel	200~2500	
	e5	Conductors	50~1000	Aluminium

Vegeta transformer doesn't contain any high risky part which may create a hazard for human health or environmental during dismantling process. Nevertheless, necessary attention should be paid during dismantling.

In Vegeta transformer, recyclable parts are steel parts (b2), accessories (c3) (partly), magnetic steel (d4) and conductors (e5).

Vegetable oil (a) drained from the tank should be eliminated as waste according to its technical data sheet and material safety data sheet. The global impact of vegetable oil is around ¼ of mineral oil.

Conductors (e) may contain paper insulation material which will be turned to burnt remains after long term high temperature operation. These remains should be separated carefully from the main conductor material since they have low level contamination impact on environmental.

Similarly, accessories (if any) may contain some elastomer (gasket or cable) which is not recyclable, aside its other metal components which is recyclable.

---

EoLI achieved with Schneider-Electric TT03 V5 procedure

---

### Schneider Electric Industries SAS

35, rue Joseph Monier  
 CS 30323  
 F- 92506 Rueil Malmaison Cedex  
 RCS Nanterre 954 503 439  
 Capital social 896 313 776 €

[www.schneider-electric.com](http://www.schneider-electric.com)