

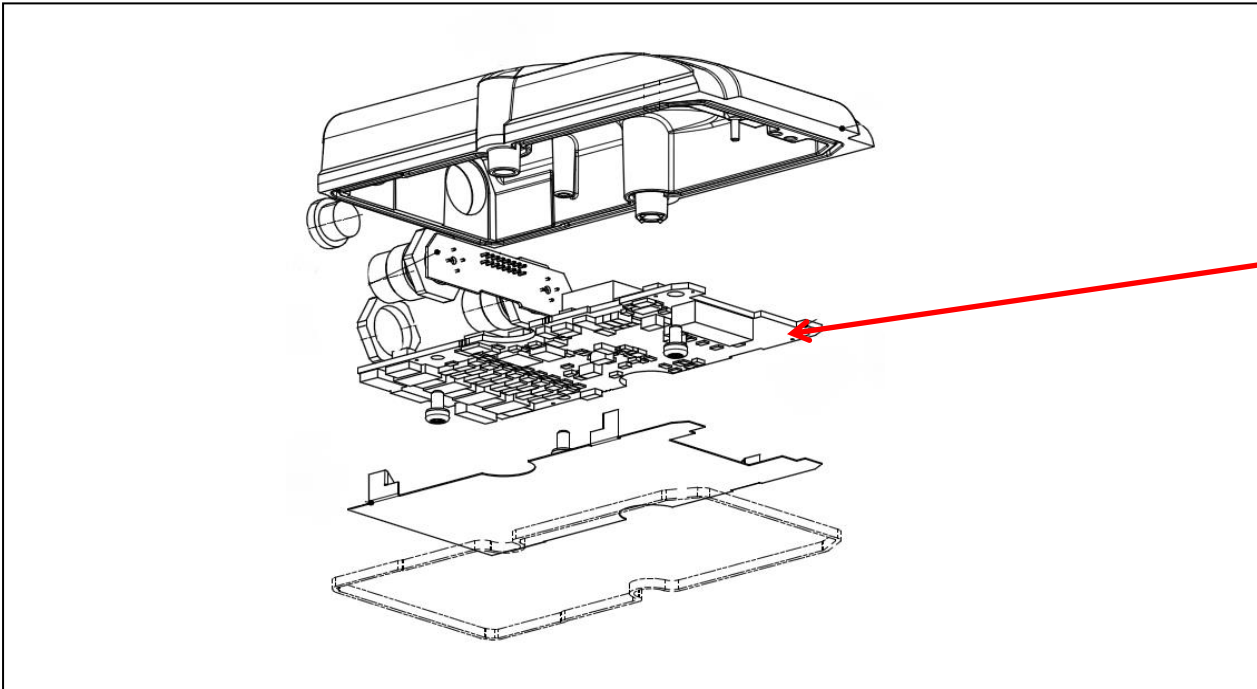
# Product End of Life Instructions

**ILM62 ISH DIO8 I/O Module**





## End of Life Instructions



Recommendation	Number on drawing	Component / Material	Weight (in g)	Comment
To be depolluted	1	Electronic Board (Power) > 10cm <sup>2</sup>	37	



## Product description

Manufacturer identification	Schneider Electric Industries SAS
Brand name	Schneider Electric
Product function	The ILM62 ISH DIO8 I/O Module is a Digital input /Output (8) Module directly mounted on the ISH/ILM Motor(s). This range consists of one ILM62 ISH DIO8 I/O Module
Product reference	VW3E702100000
Total representative product mass	386.3 g
Representative product dimensions	31,3mm x 69mm x 151,1mm
Date of information release	11/2018



## Additional information

Legal information	The product family must be disposed according to the legislation of the country. This document is intended for use by end of life recyclers or treatment facilities. It provides the basic information to assure an appropriate end of life treatment for the components and materials of the product.	
Recyclability potential	65%	Based on "ECO'DEEE recyclability and recoverability calculation method" (version V1, 20 Sep. 2008 presented to the French Agency for Environment and Energy Management: ADEME).

*Schneider Electric Industries SAS*

*Country Customer Care Center*  
*<http://www.schneider-electric.com/contact>*

*35, rue Joseph Monier*  
*CS 30323*  
*F- 92506 Rueil Malmaison Cedex*  
*RCS Nanterre 954 503 439*  
*Capital social 896 313 776 €*

[www.schneider-electric.com](http://www.schneider-electric.com)

ENVEOL1408027EN\_V2

Published by Schneider Electric

© 2018 - Schneider Electric – All rights reserved

11/2018