

# Product End-of-Life Instructions

Product Range: *ClimaSys CV*

NSYCVF550M230FB  
NSYCVF550M115FB  
NSYCVF550M24FB  
NSYCAG223LFHD  
NSYCAF190  
NSYCAAPVHD

## Purpose:

The product family must be disposed according to the legislation of the country. This document is intended for use by end of life recyclers or treatment facilities. It provides the basic information to assure an appropriate end of life treatment for the components and materials of the product.

## Note :

This product family *is not* in the scope of EU directive 2002/96/EC, Waste Electrical and Electronic Equipment (WEEE).



223 x 223 x 90 mm

2.5 kg

## Operations recommended for the end of life treatment

There are several steps to process the products at the end of life so as to recover components, materials or energy :  
Reuse → Separation for special treatment → Other dismantling → Shredding.

**The components of the products that optimize the recycling performances are listed, identified and located hereunder.**

**Components for shredding :**

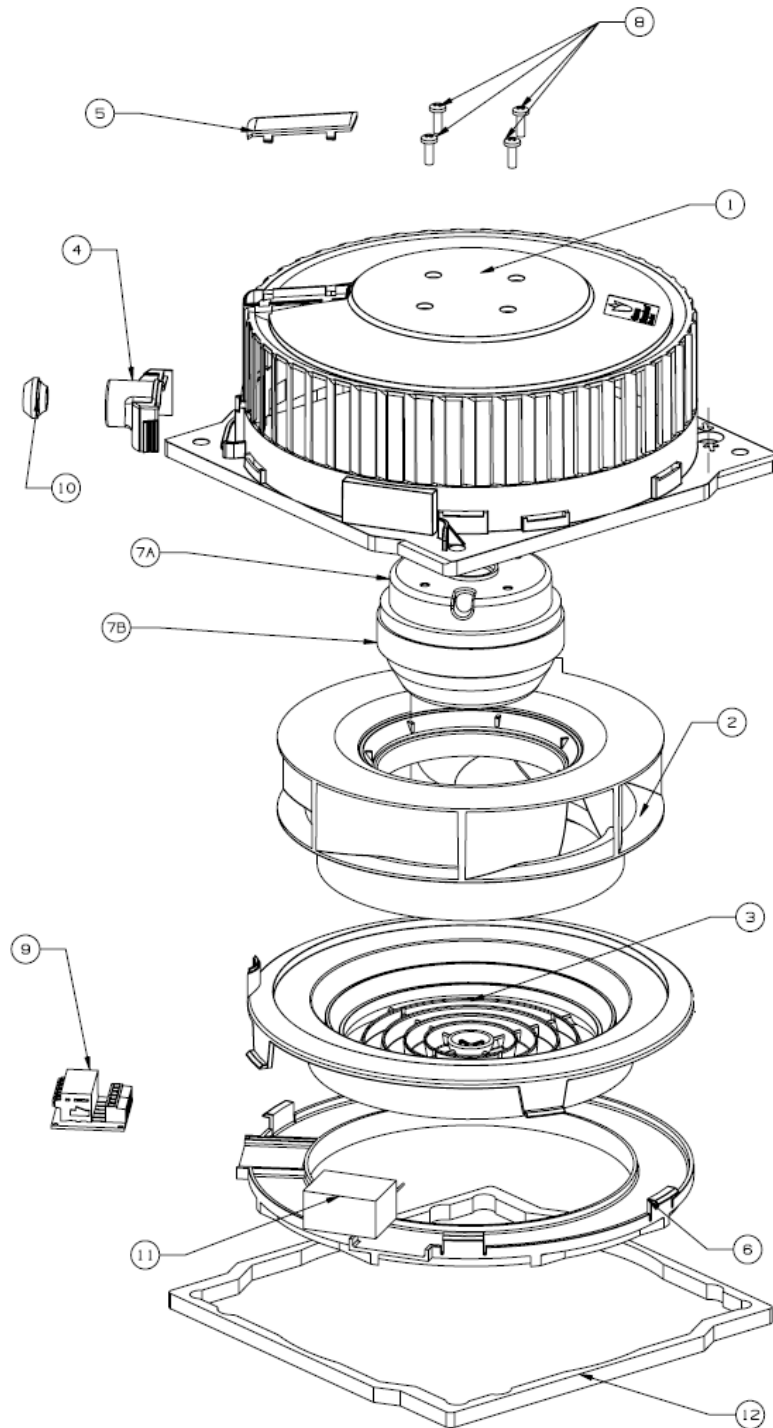
1	Fan Box Protective Cover
6	Fan Box Ring
3	Fan Box Grid
12	Fan Box Protective Cover Gasket
2	Motor turbine
7b	Motor Rotor
7a	Motor Estator
5	Support label
4	Terminal Block Cover
10	Cable Glante
11	Fan Capacitor
9	PWB
9	Terminal Block

Before carrying out any activity inside/outside the cooling unit, the power supply must be disconnected.

Disassemble and subdivide the internal units to carry out a diverse collection for the recovery of materials (steel, copper, aluminum, plastic, etc ...)

## Visual Location

Identification and location plan of particular components of representative product



**Schneider Electric SA**  
43-45, boulevard Franklin Roosevelt  
F-92500 Rueil-Malmaison Cedex (France)  
Tel.: +33 (0) 1 41 29 70 00  
www.schneider-electric.com

The version of the Guide used to create the document: End of Life  
Instruction Drafting Guide of Schneider Electric version V5

ENVEOLI1408009

Publication date : xx/xx/xxxx

EoLI-Drafting template\_ENV TT03\_V3\_20100606  
C. Jollain – F. ZHANG

Page 3 of 3