

# Product End-of-Life Instructions

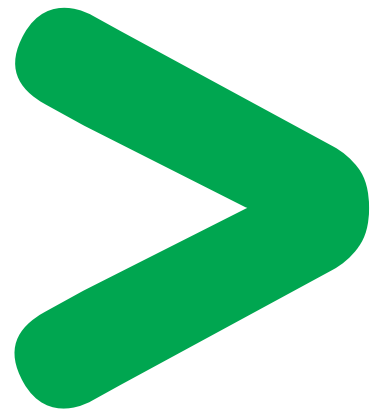
## Tower Light XVU

Product Range

Tower Light XVU

Marketing Model

XVUC9V



Size in mm:

H x D : 155 x Ø60

Weight (excluding packaging) in g:

394



**Schneider**  
Electric

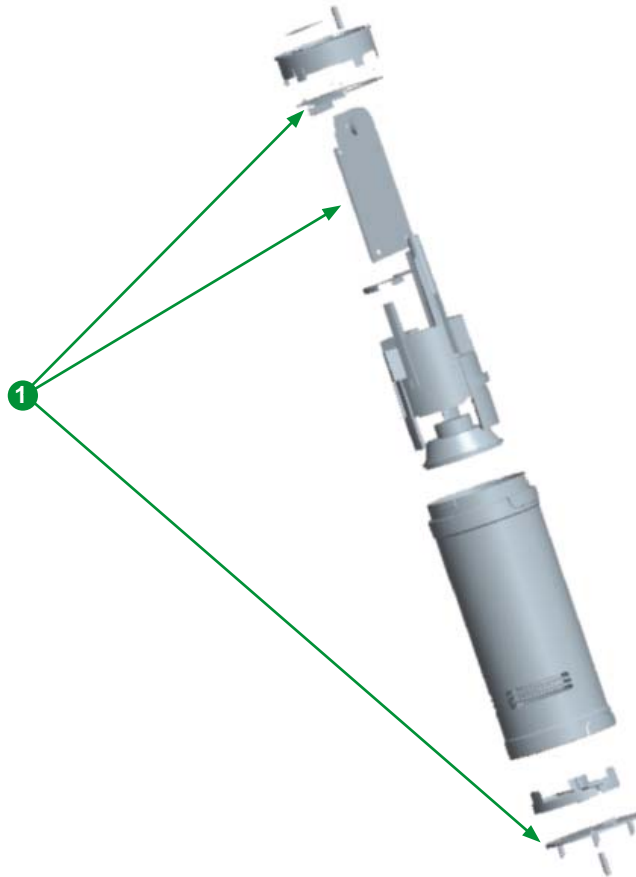
## Operations recommended for the end of life treatment

There are several steps to process the products at the end of life so as to recover components, materials or energy :

Reuse ⇒ Separation for special treatment ⇒ Other Dismantling ⇒ Shredding

**The components of the products that optimize the recycling performances are listed, identified and located hereunder.**

*CAUTION: The product contains 3 printed circuit boards which are recommended to be treated separately during the End of Life operations.*



Recommendation	Number on drawing	Components	Weight (g)	Comment
Special treatment	<b>1</b>	PCBA	48.4	—

**Schneider Electric Industries SAS**

35, rue Joseph Monier  
CS30323  
F - 92506 Rueil Malmaison Cedex

RCS Nanterre 954 503 439  
Capital social 896 313 776 €  
www.schneider-electric.com

The version of the Guide used to create the document: End of Life Instruction Drafting Guide of Schneider Electric version V1.

Publication : Schneider Electric