

# Product End-of-Life Instructions

**Product Range:** Rollarc Range

**Marketing Model/Name:** Rollarc Range

## **Purpose:**

The product family must be disposed according to the legislation of the country. This document is intended for use by end of life recyclers or treatment facilities. It provides the basic information to assure an appropriate end of life treatment for the components and materials of the product.

## **Note :**

This product family not in the scope of EU directive 2002/96/EC, Waste Electrical and Electronic Equipment (WEEE).



## **Size:**

H x L x D in mm: 500 x 490 x 743

## **Weight in kg:**

Between 90 and 100 without or with fuse

## Operations recommended for the end of life treatment

There are several steps to process the products at the end of life so as to recover components, materials or energy : Reuse → Separation for special treatment → Other dismantling → Shredding.

## Recycling your equipment at end-of-life

This equipment contains SF<sub>6</sub> gas. SF<sub>6</sub> is a powerful greenhouse gas. By law, it must be disposed in a responsible way at end-of-life.

**DO NOT carry out any dismantling operations unless authorized.**

**DO NOT handle SF<sub>6</sub> gas unless authorized.**

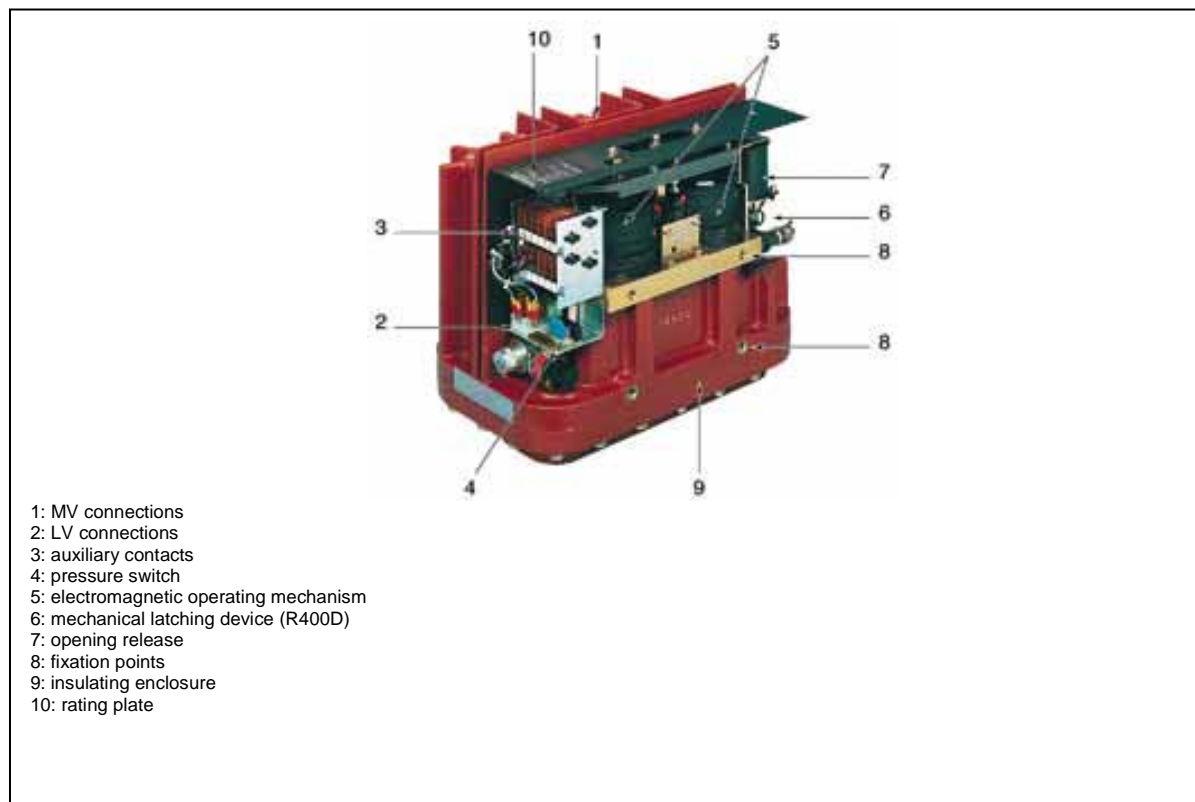
**DO NOT release SF<sub>6</sub> gas to the atmosphere.**

Local penalties may apply (European Regulation UE 517/2017 for all European countries).

Schneider Electric offers a complete end-of-life solution in many countries. Please contact your local Services representative for details.

Schneider Electric SA

The components of the products that optimize the recycling performances are listed, identified and located hereunder



Recommendation	Number on drawing	Components	Weight (g)	Comment
Special treatment	9	Insulating Enclosure	Epoxy: 12235 (g) SF6: 107 (g)	Recycling: Epoxy See EoLI SF6: 03805698ZA

**Schneider Electric Industries SAS**  
 35, rue Joseph Monier  
 CS 30323  
 F-92506 Rueil-Malmaison Cedex (France)  
 Tel.: +33 (0) 1 41 29 70 00  
 www.schneider-electric.com