

Product End-of-Life Instructions

CAN Interface Module

Product Range

CAN Interface Module

Marketing Model

OTB1C0DM9LP, OTB1E0DM9LP, OTB1S0DM9LP



Size in mm:

H x L x D : 94.5 x 55 x 70

Weight in g:

Between 260 and 310 without battery



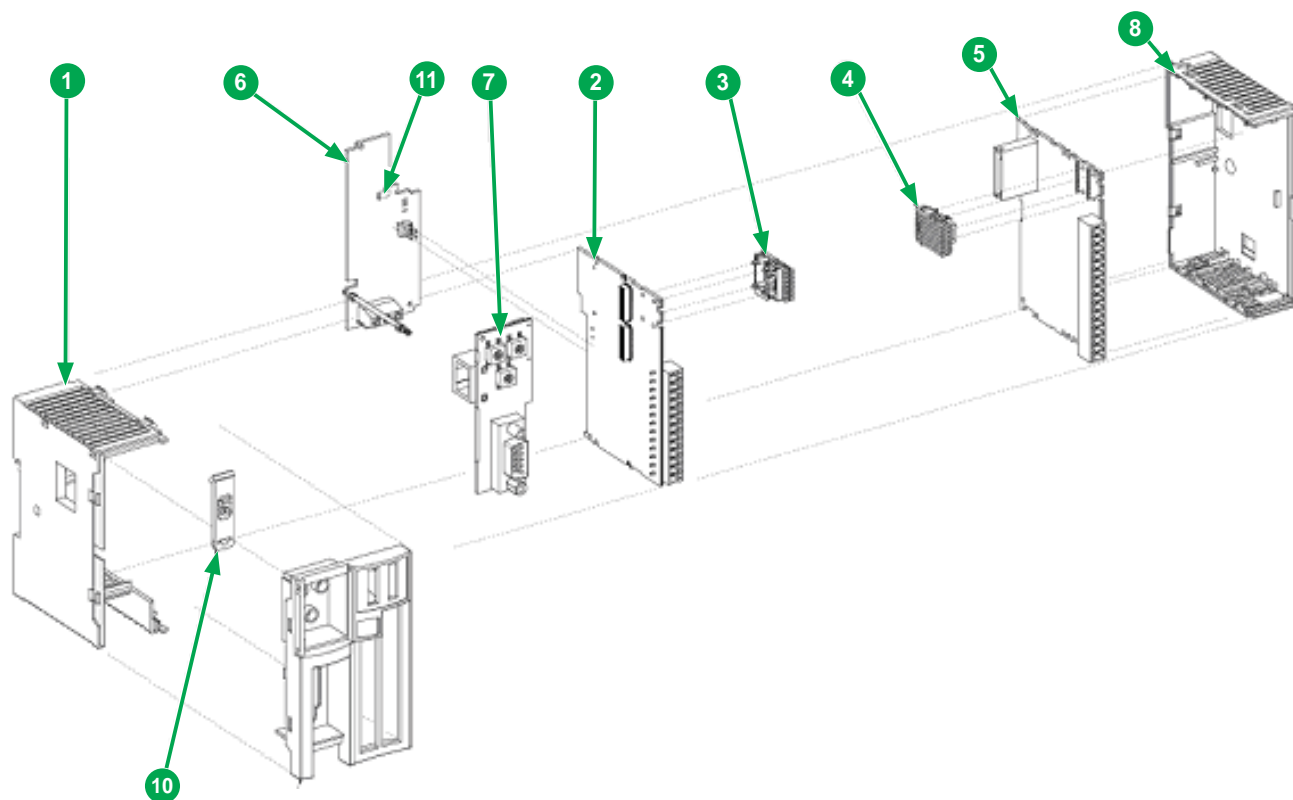
Operations recommended for the end of life treatment

There are several steps to process the products at the end of life so as to recover components, materials or energy :

Reuse ⇒ Separation for special treatment ⇒ Other dismantling ⇒ Shredding

The components of the products that optimize the recycling performances are listed, identified and located hereunder.

This product contains printed circuit boards end plastic containing brominated flame retardants which are recommended to be treated separately during the End of Life operations.



Recommendation	Number on drawing	Components	Weight (g)	Comment
Special treatment	2 5 6 7	PCBAs	140	–
Other dismantling	1 8	Plastic	62	PC containing brominated flame retardants

Schneider Electric Industries SAS

35, rue Joseph Monier
CS30323
F - 92506 Rueil Malmaison Cedex

RCS Nanterre 954 503 439
Capital social 896 313 776 €
www.schneider-electric.com

The version of the Guide used to create the document: End of Life Instruction Drafting Guide of Schneider Electric version V2.

Publication : Schneider Electric