

Product End-of-Life Instructions

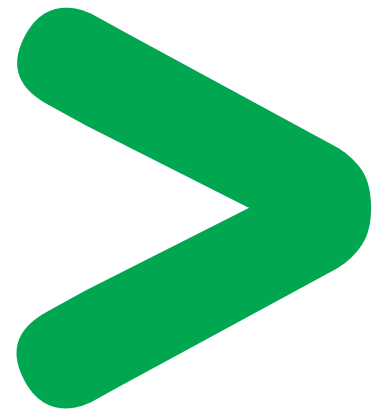
Lexium23 0.1kW to 7.5kW

Product Range

Lexium23 0.1kW to 7.5kW

Marketing Model

LXM23AU●●M3X, LXM23CU●●M3X, LXM23DU●●M3X, LXM23MU●●M3X, LXM23P●●LN, LXM23P●●LB, LXM23P●●LS, LXM23P●●MB, LXM23P●●MN



Size in mm:

W x H x D : 162 x 180 x 85

Weight (excluding packaging) in kg:

2.042



Schneider
Electric

Operations recommended for the end of life treatment

There are several steps to process the products at the end of life so as to recover components, materials or energy :

Reuse ⇒ **Separation for special treatment** ⇒ **Other dismantling** ⇒ **Shredding**

The components of the products that optimize the recycling performances are listed, identified and located hereunder.

This LXM23 contains electrolytic capacitors which may cause electrical shock during the end of life treatment process. **BEFORE SERVICING, REMOVE ALL POWER and WAIT 15 MINUTES.**

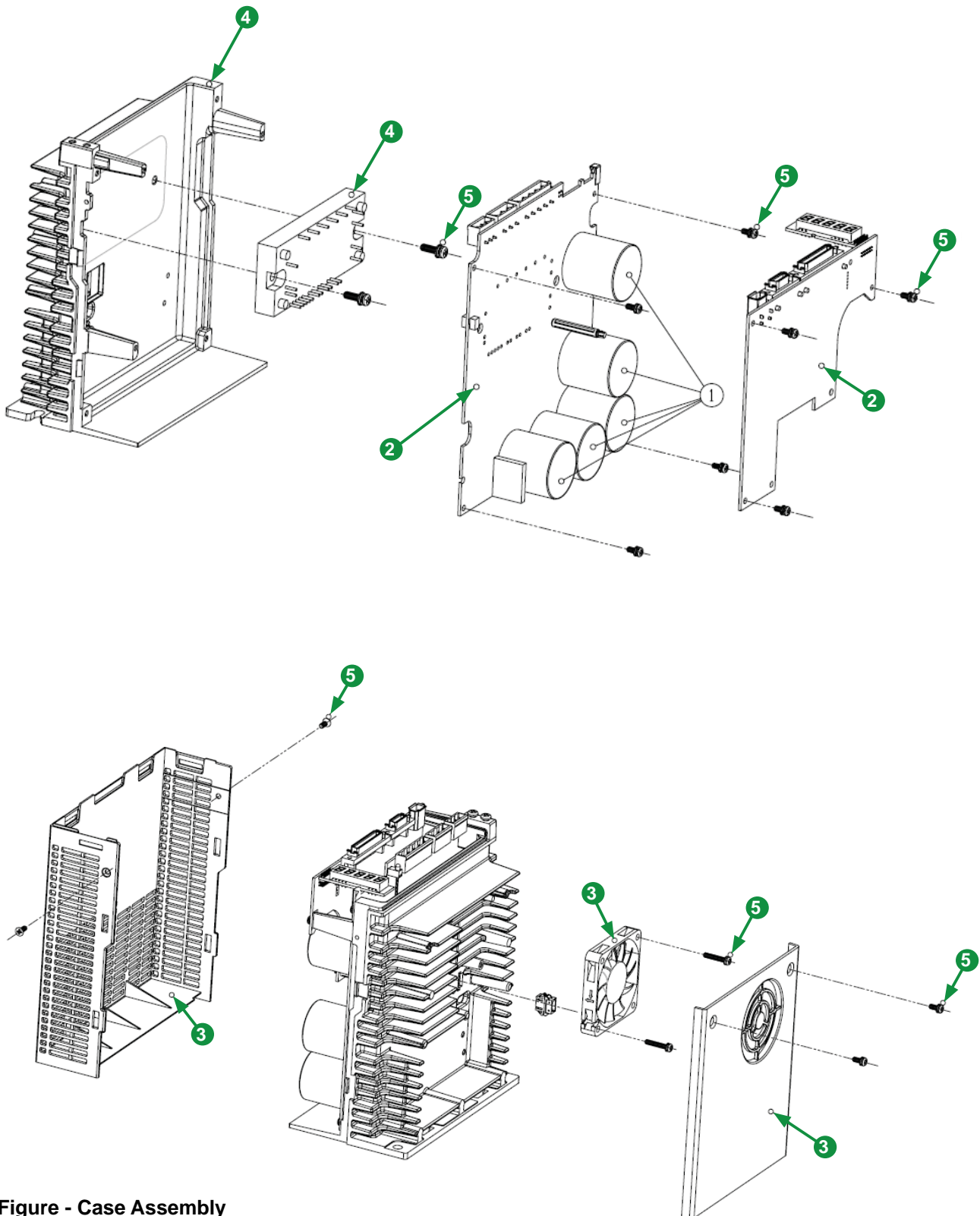


Figure - Case Assembly

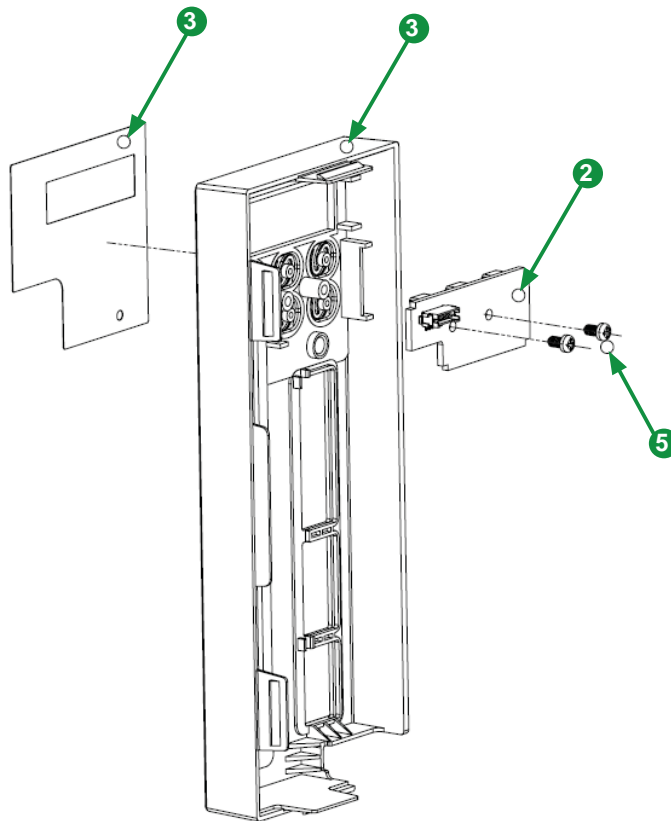


Figure - Front Assembly

Recommendation	Number on drawing	Components	Weight (g)	Comment
Operating hazards	1	Electrolytic capacitors	255	-
Reuse	None	None	-	-
Special treatment	1	Electrolytic capacitors	255	-
	2	PCBAs	590	-
Other dismantling	3	Plastic	213	PC
	4	Aluminium	949	-
	5	Steel	22	-
	None	Cables and Connectors	15	-

Schneider Electric Industries SAS

35, rue Joseph Monier
 CS30323
 F - 92506 Rueil Malmaison Cedex

RCS Nanterre 954 503 439
 Capital social 896 313 776 €
 www.schneider-electric.com

The version of the Guide used to create the document: End of Life Instruction Drafting Guide of Schneider Electric version V1.

Publication : Schneider Electric