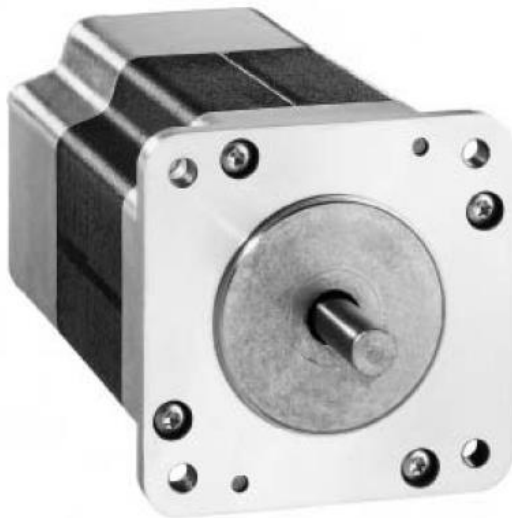


Circularity Profile

Lexium BDM43 to BDM77





DANGER

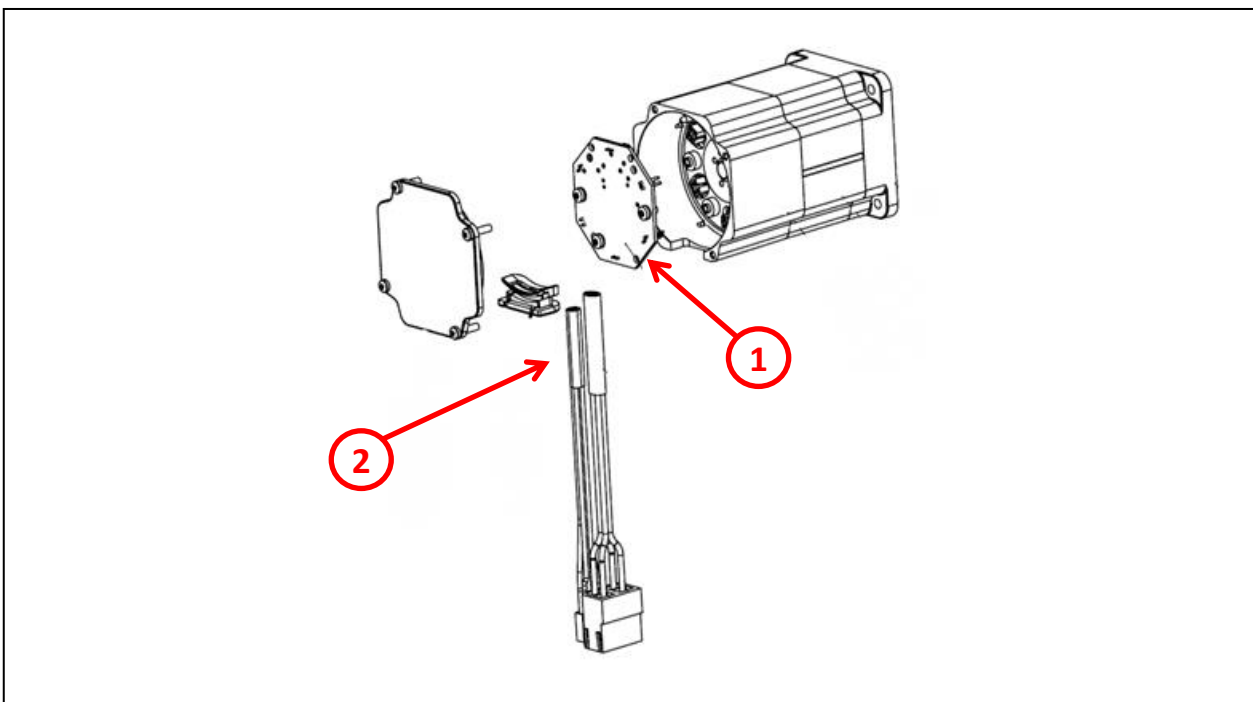
HAZARD OF ELECTRIC SHOCK, EXPLOSION OR ARC FLASH

- Disconnect all power from all equipment including connected devices prior to removing any covers or doors, or installing or removing any accessories, hardware, cables, or wires except under the specific conditions specified in the appropriate hardware guide for this equipment.
- Wait 5 minutes to allow the internal capacitors to discharge.
- Always use a properly rated voltage sensing device to confirm the power is off where and when indicated.

Failure to follow these instructions will result in death or serious injury.



End of Life Instructions



| Recommendation | Number on drawing | Component / Material | Weight (in g) | Comment |
|------------------|-------------------|--|---------------|---------|
| To be depolluted | 1 | Electronic Board (Power) > 10cm ² | 10,9 | |
| To be depolluted | 2 | 2 Cables (high current) | 245 | |



Product description

| | |
|-----------------------------------|--|
| Manufacturer identification | Schneider Electric Industries SAS |
| Brand name | Schneider Electric |
| Product function | The main purpose of the Lexium BDM43 to BDM77 product range is to control the variation of the rotational speed and position of a DC brushless electric motor. |
| Product reference | Lexium BDM7442S0079 |
| Total representative product mass | 1322 g |
| Representative product dimensions | 130mm x 66mm x 66mm |
| Date of information release | 07/2020 |



Additional information

| | | |
|-------------------------|--|---|
| Legal information | The product family must be disposed according to the legislation of the country. This document is intended for use by end of life recyclers or treatment facilities. It provides the basic information to assure an appropriate end of life treatment for the components and materials of the product. | |
| Recyclability potential | 78% | Based on "ECO'DEEE recyclability and recoverability calculation method" (version V1, 20 Sep. 2008 presented to the French Agency for Environment and Energy Management: ADEME). |

Schneider Electric Industries SAS

Country Customer Care Center
<http://www.schneider-electric.com/contact>

35, rue Joseph Monier
CS 30323
F- 92506 Rueil Malmaison Cedex
RCS Nanterre 954 503 439
Capital social 896 313 776 €

www.schneider-electric.com

ENVEOLI111241EN_V2

Published by Schneider Electric

© 2020 - Schneider Electric – All rights reserved

07/2020