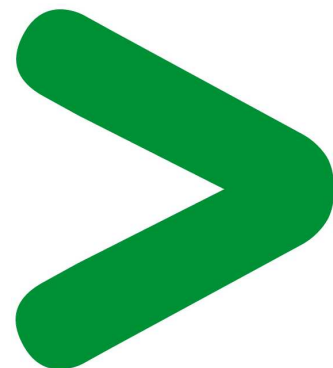


# Product End-of-Life Instructions

**EASYPACT CVS 100–250A  
CVS160B VIGI MH TM160D 4P4D**



# Product End-of-Life Instructions – EoLI

## Product overview

**Product Range:** EASYPACT CVS100~250

**Marketing Model/Name:** CVS160B VIGI MH TM160D 4P4D\_LV516383

**Size:** W x H x D in mm = 140 x 161 x 86

**Weight** in g = 3410 g

## Purpose

The product family must be disposed according to the legislation of the country. This document is intended for use by end of life recyclers or treatment facilities. It provides the basic information to assure an appropriate end of life treatment for the components and materials of the product.

## Note:

This product family is in the scope of European Union directive 2012/19/EU on Waste Electrical and Electronic Equipment (WEEE).

## Additional information

### Energy-efficiency:

This product family is available with following phases: Active and off mode power demand. The availability of modes is as follow: Product dissipation is 5.5548 W 30% in active mode and 0W at 70% in off mode, loading rate is 30% and service uptime percentage is 100%.

### Resource-efficiency:

The recyclability potential of the products has been evaluated using the “ECO DEEE recyclability and recoverability calculation method” (version V1, 20 Sep. 2008 presented to the French Agency for Environment and Energy Management: ADEME).

According to this method, the potential recyclability ratio without packaging is: **53%**.

As described in the recyclability calculation method this ratio includes only metals and plastics which have proven industrial recycling processes.

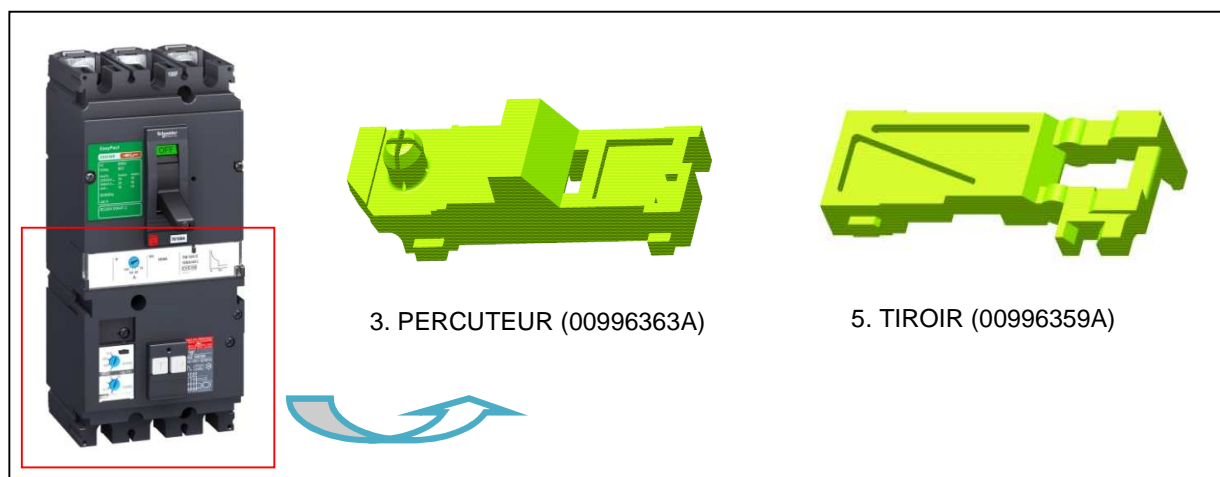
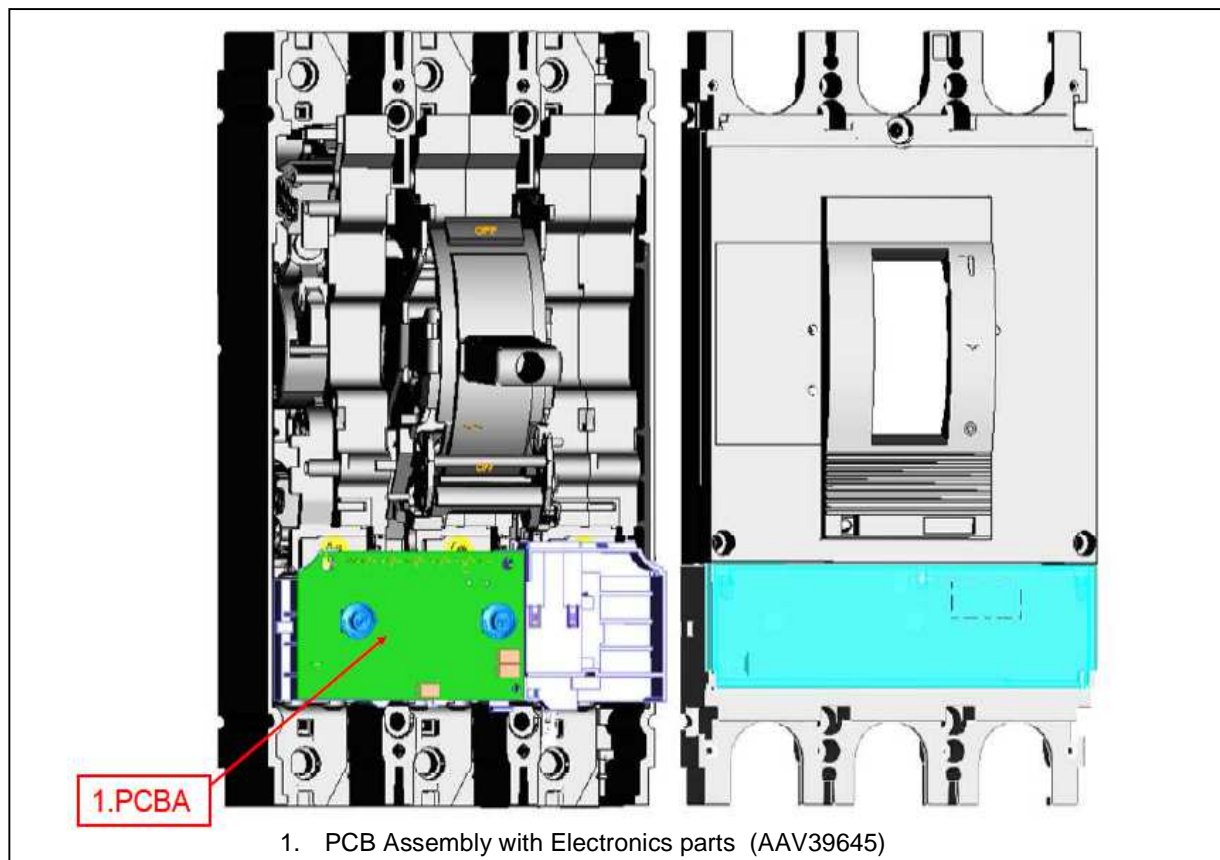
## Operations recommended for the end of life treatment

There are several steps to process the products at the end of life so as to recover components, materials or energy :

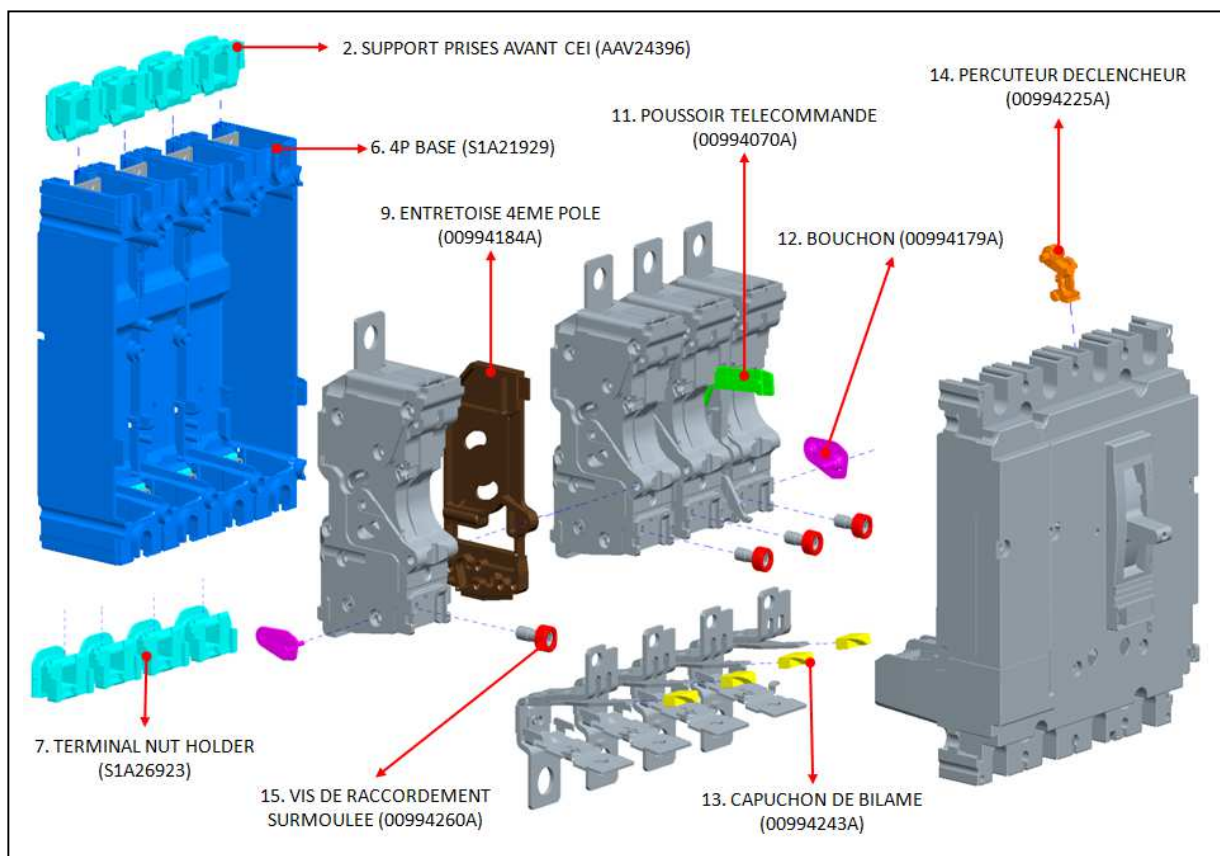
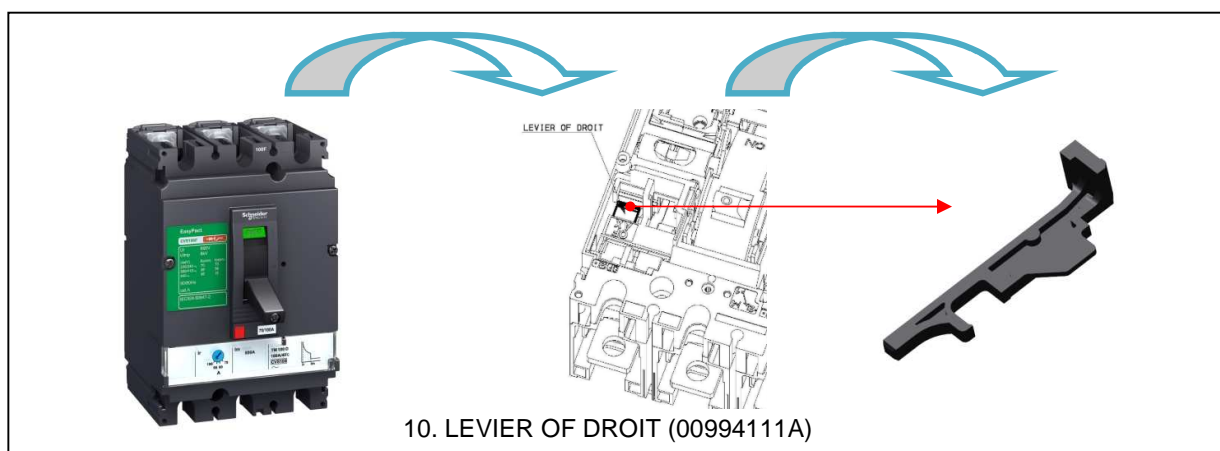
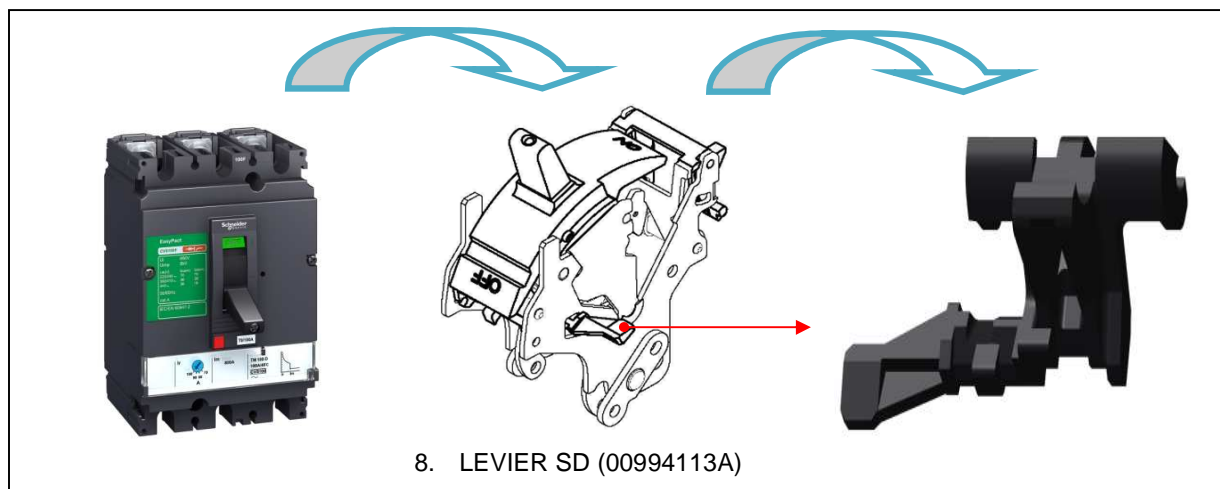
**Reuse → Separation for special treatment → Other dismantling → Shredding**

## Product End-of-Life Instructions – EoLI

The components of the products that optimize the recycling performances are listed, identified and located hereunder.



## Product End-of-Life Instructions – EoLI



## Product End-of-Life Instructions – EoLI

Number	Part Number	Components Description	Weight (in g)	Material
<b>Printed circuit board assembly (PCBA)</b>				
1	AAV39645	PCBA VIGI COMPACT CEI HS-MS, MS. JIS HS	14.58g	Electronics Parts
<b>Plastic parts with brominated FR</b>				
2	AAV24396	SUPPORT PRISES AVANT CEI	19.3g	PBT GF30 FR(17) GREY
3	00996363A	PERCUTEUR	2.5g	PBT GF30 FR(17) GREY
4	00996424A	MARGUERITE CEI	0.3g	PBT GF30 FR(17) BLUE
5	00996359A	TIROIR	1.98g	PBT GF30 FR(17) GREY
6	S1A21929	4P BASE	245.95g	PBT GF30 FR(17) GREY
7	S1A26923	TERMINAL NUT HOLDER	38.63g	PBT GF30 FR(17) GREY
8	00994113A	LEVIER SD	1.83g	PC GF20 FR(17) BLACK
9	00994184A	ENTRETOISE 4EME POLE	10.77g	PBT GF30 FR(17) NATURAL
10	00994111A	LEVIER OF DROIT	1.03g	PC GF10 FR GREY
11	00994070A	POUSSOIR TELECOMMANDE	1.83g	PA46 GF30 FR(17) BLACK
12	00994179A	BOUCHON	1.18g	PBT GF30 FR(17) NATURAL
13	00994243A	CAPUCHON DE BILAME	1.74g	PA46 GF30 FR(17) NATURAL
14	00994225A	PERCUTEUR DECLENCHEUR	1.6g	PA46 GF30 FR(17) NATURAL
15	00994260A	VIS DE RACCORDEMENT SURMOULEE	0.9g	PA46 GF30 FR(17) BLACK

---

EoLI achieved with Schneider-Electric TT03 V6 procedure

---

### Schneider Electric Industries SAS

35, rue Joseph Monier  
CS 30323  
F- 92506 Rueil Malmaison Cedex  
RCS Nanterre 954 503 439  
Capital social 896 313 776 €

[www.schneider-electric.com](http://www.schneider-electric.com)

© 2016 - Schneider Electric – All rights reserved