

# Product End-of-Life Instructions

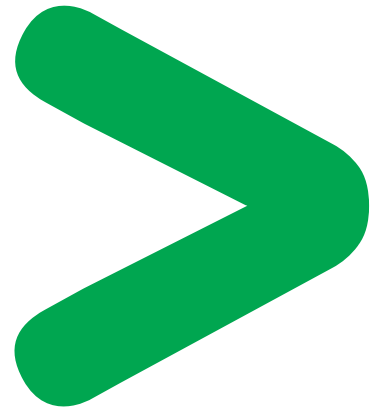
## ALTIVAR 61 30 – 90 kW

### Product Range

ALTIVAR 61 30 – 90 kW

### Marketing Model

ATV61WD30N4 and all models of Product Family: ALTIVAR 61 30 – 90 kW



### Size in mm (or m):

W x H x D : 285 x 720 x 300.1

### Weight (excluding packaging) in kg (or g):

37000 g



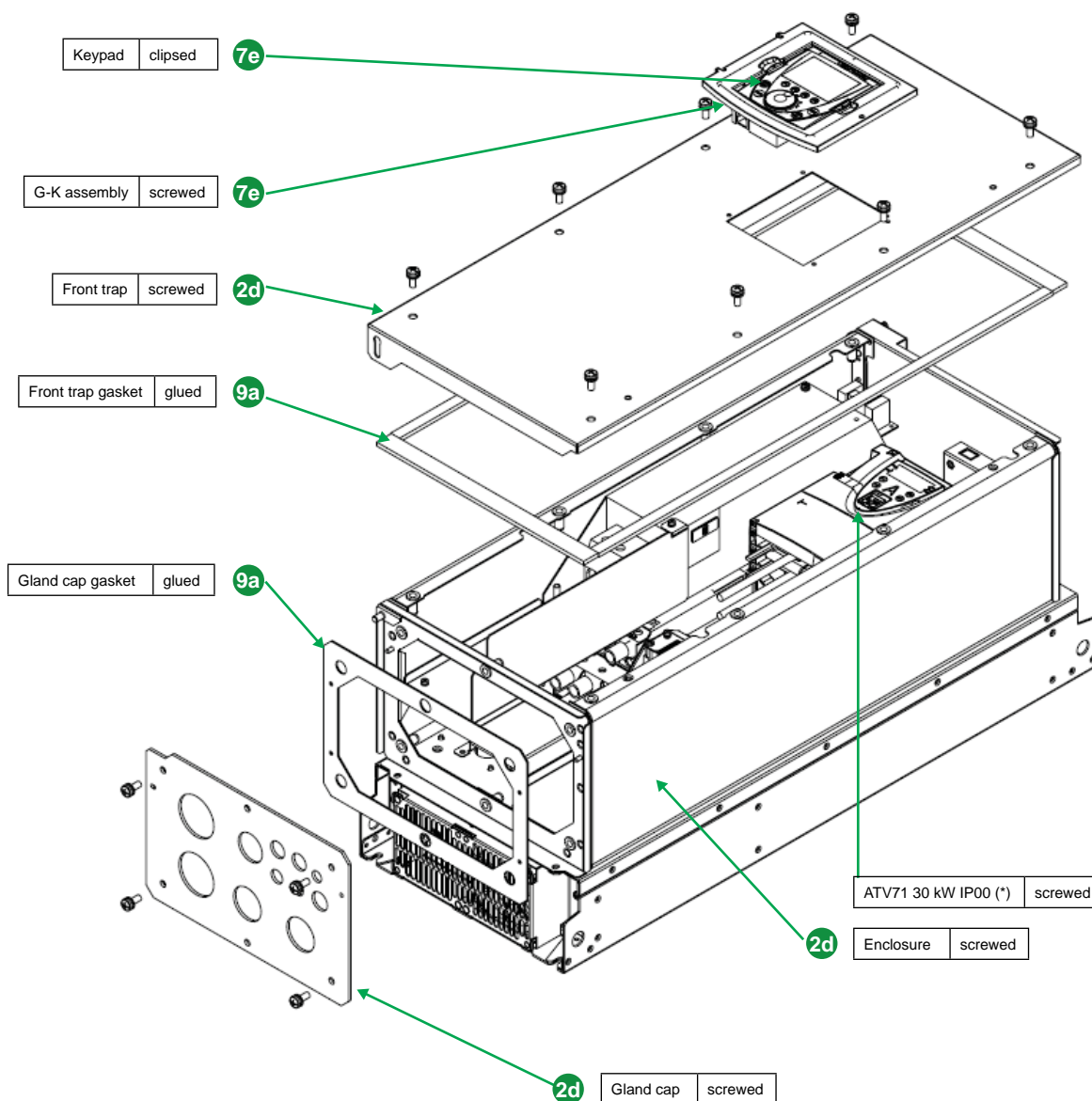
## Operations recommended for the end of life treatment

There are several steps to process the products at the end of life so as to recover components, materials or energy:

**Reuse ⇒ Depollution ⇒ Dismantling ⇒ Shredding**

The components of the products that are recommended to be depolluted (according to the WEEE 2002/96/EC list) or that are recommended to be re-used or dismantled so as to improve the material recovery or that lead to some hazards are listed, identified and located hereunder.

This ATV61 contains electrolytic capacitors which may cause electrical shock during the end of life treatment process. **BEFORE SERVICING, REMOVE ALL POWER and WAIT 15 MINUTES.**



Housing gasket | screwed

2d

DC choke | screwed

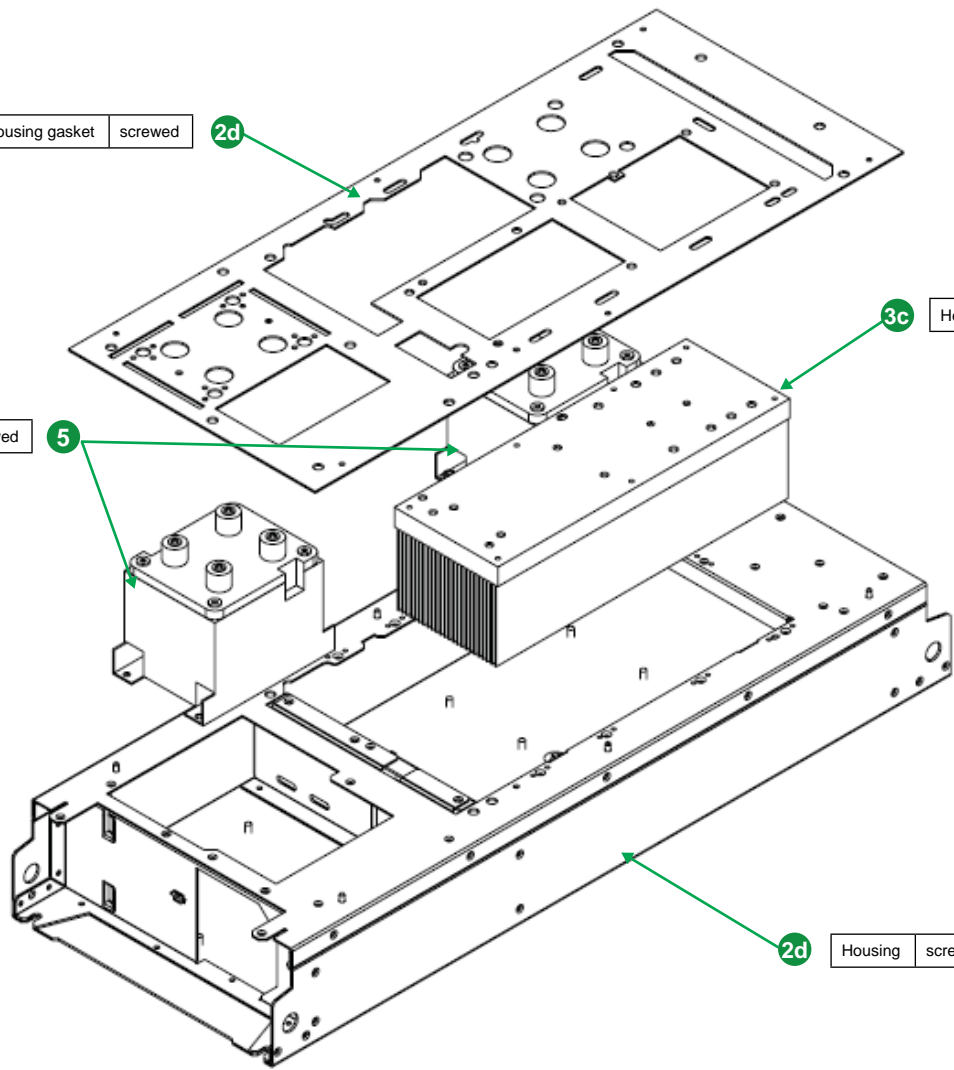
5

3c

Heatsink | screwed

2d

Housing | screwed



Ref.	End of life groups of components	%	Representative product weights (g)	Comments
<b>1</b>	<b>PCBA</b>	<b>4.7</b>	<b>1737</b>	
<b>1a</b>	Heavy PCBA (power)	4.1	(1520)	To be removed following WEEE directive
<b>1b</b>	Light PCBA (Com)	0.6	(217)	To be removed following WEEE directive
<b>2</b>	<b>Ferrous</b>	<b>54.9</b>	<b>20370.9</b>	
<b>2a</b>	Electroplated coated sheet metal	0	(-)	
<b>2b</b>	Hot dip coated sheet metal	0	(-)	
<b>2c</b>	Painted sheet metal	0	(-)	
<b>2d</b>	Steel and its alloys	54.9	(20370.9)	
<b>3</b>	<b>Non-ferrous</b>	<b>15.4</b>	<b>5751.7</b>	
<b>3a</b>	Copper and its alloys	0.7	(275)	
<b>3b</b>	Brass and its alloys	3	(1130)	
<b>3c</b>	Aluminium and its alloys	11.7	(4346.7)	
<b>4</b>	<b>Plastics</b>	<b>1.3</b>	<b>469.5</b>	
<b>4a</b>	Plastics with brominated FR	0	(-)	To be removed following WEEE directive
<b>4b</b>	Plastics without brominated FR	1.3	(469.5)	
<b>5</b>	<b>Coils (Copper or aluminium)</b>	<b>18.8</b>	<b>6980</b>	
<b>6</b>	<b>Wire cables</b>	<b>1.1</b>	<b>395.6</b>	
<b>6a</b>	Copper conductor cables	1.1	(395.6)	
<b>6b</b>	Aluminium conductor cables	0	(-)	
<b>7</b>	<b>Complex parts</b>	<b>1.7</b>	<b>633</b>	
<b>7a</b>	Fans	0.8	(282)	
<b>7b</b>	Power modules (IGBT)	0	(-)	
<b>7c</b>	Terminal blocks	0	(-)	
<b>7d</b>	Circuit breakers	0	(-)	
<b>7e</b>	Others (ZCT, Keypad, ...)	0.9	(351)	
<b>8</b>	<b>Capacitors (PCB free)</b>	<b>2</b>	<b>725.7</b>	To be removed following WEEE directive
<b>9</b>	<b>Other</b>	<b>0.1</b>	<b>66.8</b>	
<b>9a</b>	Insulation sheets	0	(-)	
<b>9b</b>	Ferrites	0.1	(46.8)	
<b>TOTAL</b>		<b>100%</b>	<b>37130.2 g</b>	

### Schneider Electric Industries SAS

35, rue Joseph Monier  
CS30323  
F - 92506 Rueil Malmaison Cedex

RCS Nanterre 954 503 439  
Capital social 896 313 776 €  
www.schneider-electric.com

The version of the Guide used to create the document: End of Life Instruction Drafting Guide of Schneider Electric version V1.

Publication : Schneider Electric