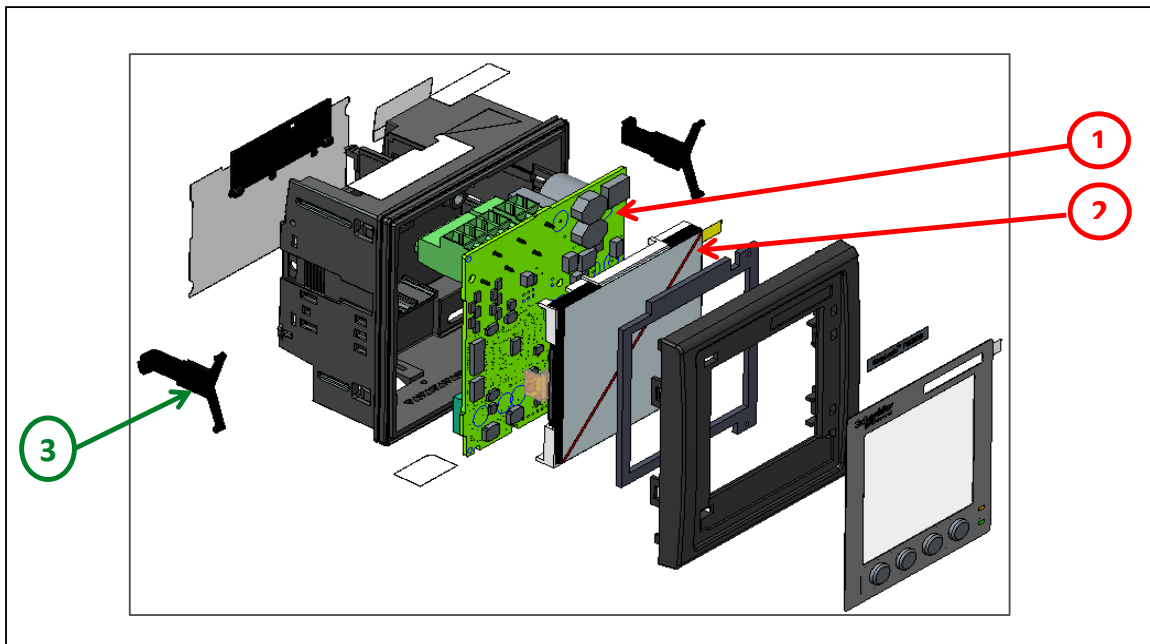


# Product End of Life Instructions

## PM2220 POWER METER, RJ45 LVCT



## End of Life Instructions



Recommendation	Number on drawing	Component / Material	Weight (in g)	Comment
To be depolluted	QGH13536	PM2K CONTROLLER CARD FOR LVCT	121,05	1
To be dismantled	HUA41055	LCD GRAPH 128X128 FSTN W77.55H67.9D9.1MM	39,8	2
To be dismantled	C10003279	RETAINER SLIDE	2,6	3
Other				
Other				

## Product description

Manufacturer identification	Schneider Electric Industries SAS
Brand name	Schneider Electric
Product function	The main function of the METSEPM2220R Digital panel meters is for measurement of either VAF PF parameter or energy parameter. It has large LCD display, intuitive navigation with self-guided 4 buttons.
Product reference	METSEPM2220R
Additional similar product references	METSEPM2220R
Total representative product mass	225.67 g
Representative product dimensions	96mm x 96mm x 62.5mm
Accessories	Retainer Clips
Date of information release	05/2017



## Additional information

<b>Legal information</b>	This product family is in the scope of European Union directive 2012/19/EU on Waste Electrical and Electronic Equipment (WEEE). The product family must be disposed according to the legislation of the country. This document is intended for use by end of life recyclers or treatment facilities. It provides the basic information to assure an appropriate end of life treatment for the components and materials of the product.
<b>Recyclability potential</b>	<b>2%</b> Based on “ECO'DEEE recyclability and recoverability calculation method” (version V1, 20 Sep. 2008 presented to the French Agency for Environment and Energy Management: ADEME).

Schneider Electric Industries SAS

Country Customer Care Center  
<http://www.schneider-electric.com/contact>

35, rue Joseph Monier  
 CS 30323  
 F- 92506 Rueil Malmaison Cedex  
 RCS Nanterre 954 503 439  
 Capital social 896 313 776 €

[www.schneider-electric.com](http://www.schneider-electric.com)

ENVEOLI1705006\_V1

Published by Schneider Electric

© 2016 - Schneider Electric – All rights reserved

05/2017