

TOP VIEW

GENERAL NOTES

1. UL 50. TYPE 3R/12 WALL MOUNTED ENCLOSURE.
2. DOOR HINGED ON LEFT SIDE. DOOR CLAMPS ON ONE SIDE, SEAL GASKETED DOOR. HASP AND STAPLE FOR PADLOCKING.
3. FINISH: ANSI 61 GRAY POLYESTER SEMI GLOSS ELECTROSTATIC POWDER.
4. RECOMMENDED CLEARANCES:
FRONT: 36 INCHES
5. A FULL RATED NEUTRAL CONNECTION FOR EACH SOURCE AND THE LOAD IS OPTIONAL. WHEN PROVIDED IT IS IN ONE OF THE FOLLOWING FORMATS AS SPECIFIED BY THE CATALOG NO. NEUTRAL TYPE;
 - A. SOLID (COPPER BUS) NEUTRAL
 - B. SWITCHED NEUTRAL POLE
 - C. OVERLAPPING NEUTRAL POLE
6. DESIGNED FOR FRONT ACCESS ONLY.
7. TO CONVERT FROM TYPE 12 ENCLOSURE INTO TYPE 3R ENCLOSURE, DRILL (2) .25 DIA HOLES AS SHOWN.
8. FOR SPECIFIED TRANSFER SWITCH, REFER TO OPERATOR'S MANUAL PROVIDED WITH UNIT.

SPECIFICATIONS

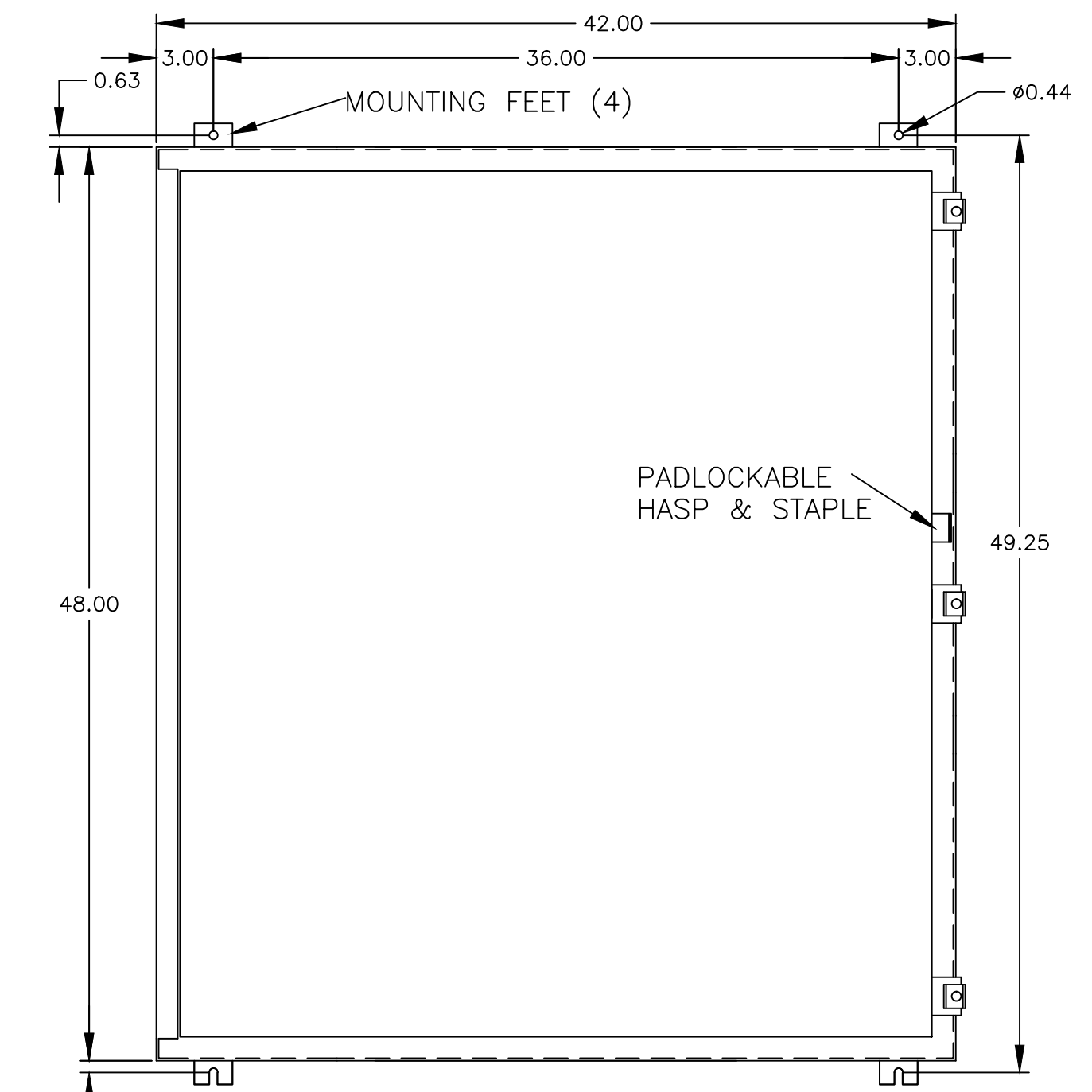
1. SERVICE VOLTAGE:
SYSTEM RATING: 150 AMPS, 175 AMPS, 200 AMPS, 225 AMPS, 250 AMPS,
300 AMPS, 350 AMPS, 400 AMPS. 3 ϕ , 4W OR 1 ϕ , 3W.
GROUND BUS- 20% RATED
SHORT CIRCUIT RATING- 35,000 AIC RMS SYM @ 480V, 65,000 AIC RMS SYM @ 240V.
EMERGENCY SIDE MUST PROTECTED WITH OVERCURRENT PROTECTION DEVICE.
2. NEUTRAL BUS: 100% RATED
3. APPLICABLE LABELS: U.L. 1008 - SUITABLE ONLY FOR USE AS SERVICE EQUIPMENT.

CABLING NOTES 150-400 AMPS

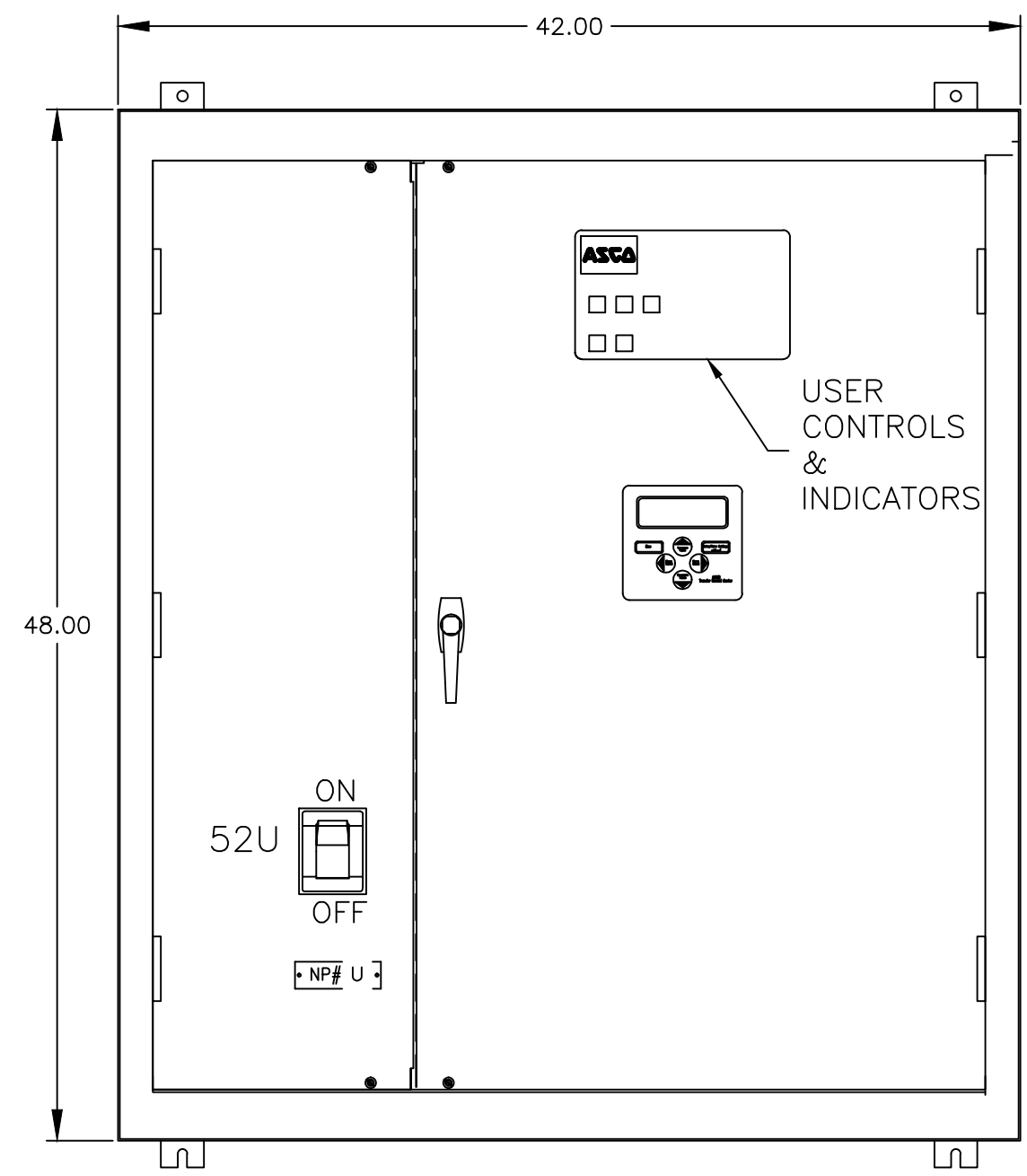
1. SUPPLIED WITH ALUMINUM, MECHANICAL (SCREW TYPE) LUGS.
A. CONSULT FACTORY FOR OTHER TERMINATION REQUIREMENTS.
B. SUITABLE WIRE BENDING SPACE IS PROVIDED AS PER NEC.
2. NORMAL: (52U) SUITABLE CONNECTION OF (1) #1 - 600MCM OR (2) 1/0 - 250MCM CU/AL CABLES
3. LOAD: SUITABLE CONNECTION OF (1) #4 - 600MCM OR (2) 1/0 - 250MCM CU/AL CABLES
4. EMERGENCY: SUITABLE CONNECTION OF (1) #4 - 600MCM OR (2) 1/0 - 250MCM CU/AL CABLES
5. GROUND: SUITABLE CONNECTION OF (4) #6 - 250MCM CU/AL CABLES

CIRCUIT BREAKER: ITEM 52U

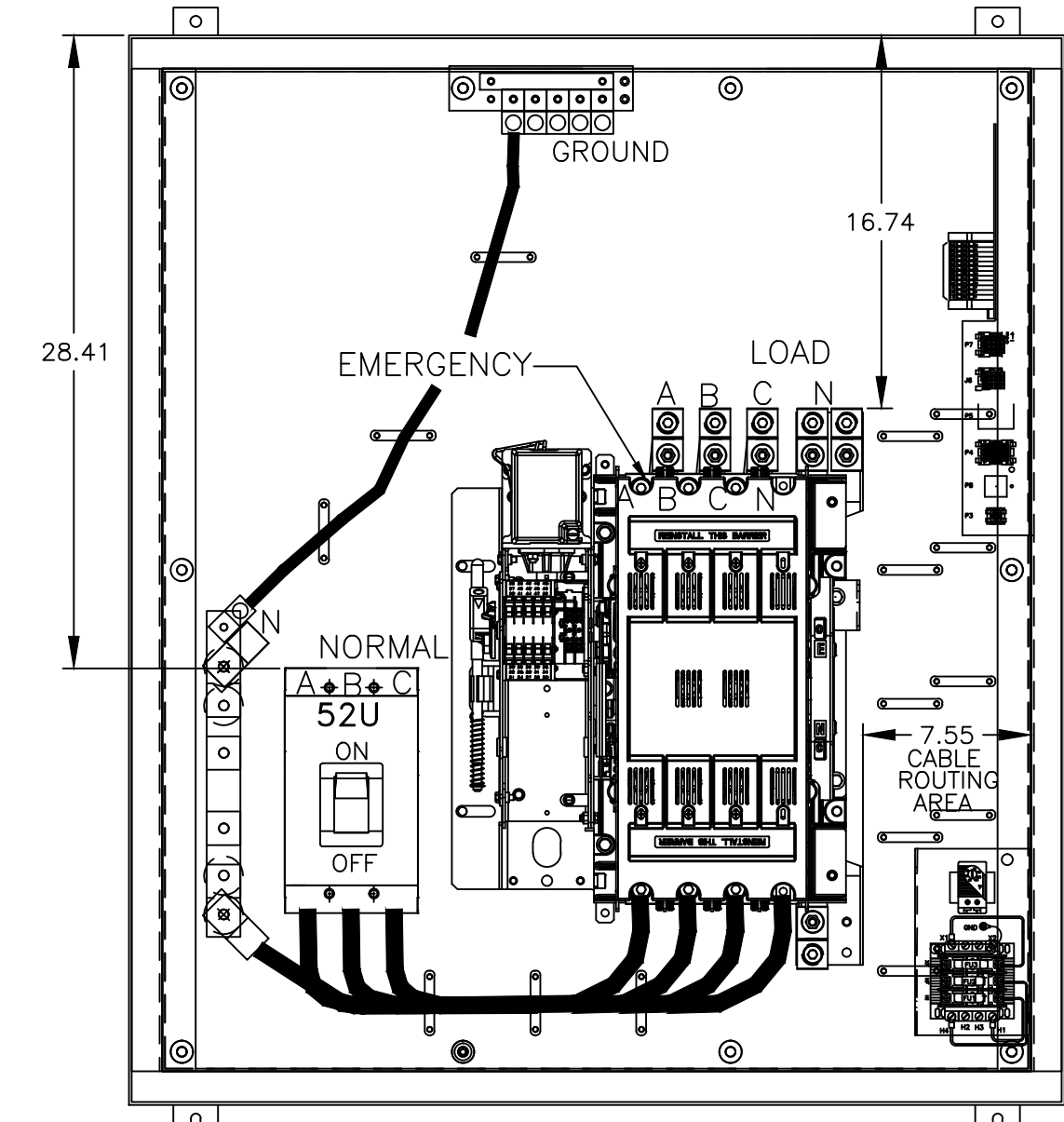
SQUARE "D" 80% RATED TYPE 'LHL', 400AF/150AT, 400AF/175AT, 400AF/200AT, 400AF/225AT, 400AF/250AT, 400AF/300AT, 400AF/350AT, 400AF/400AT, MOLDED CASE CIRCUIT BREAKER, THERMAL MAGNETIC TRIP SETTINGS.



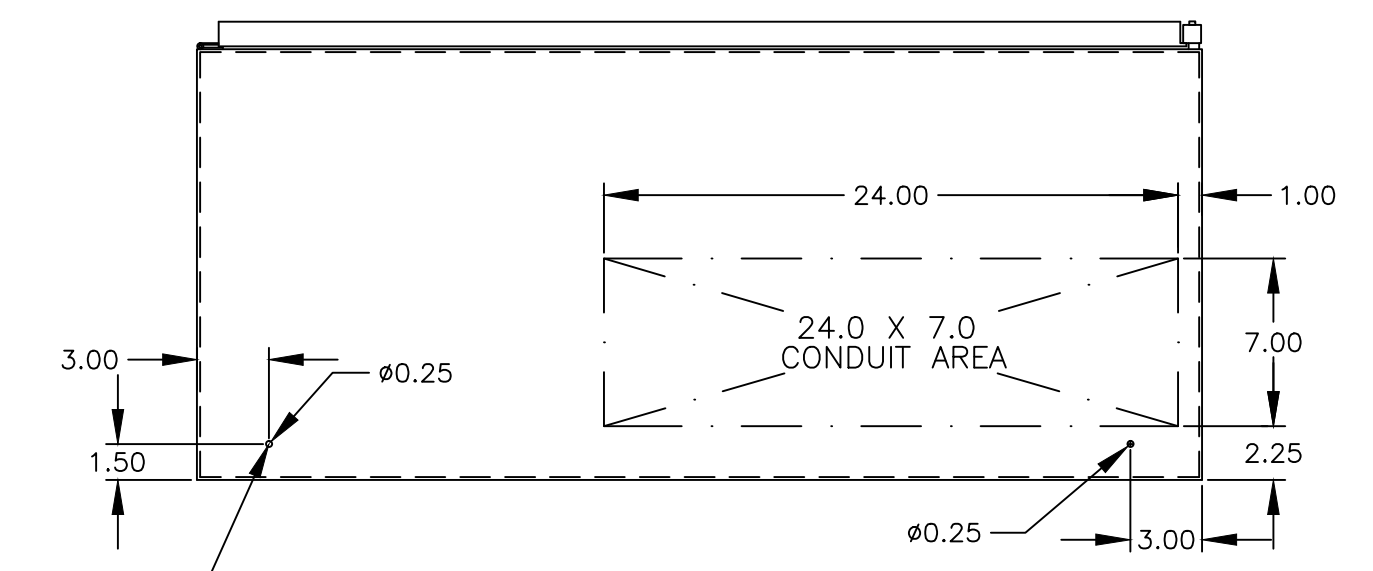
FRONT VIEW



FRONT VIEW WITH INNER DOOR

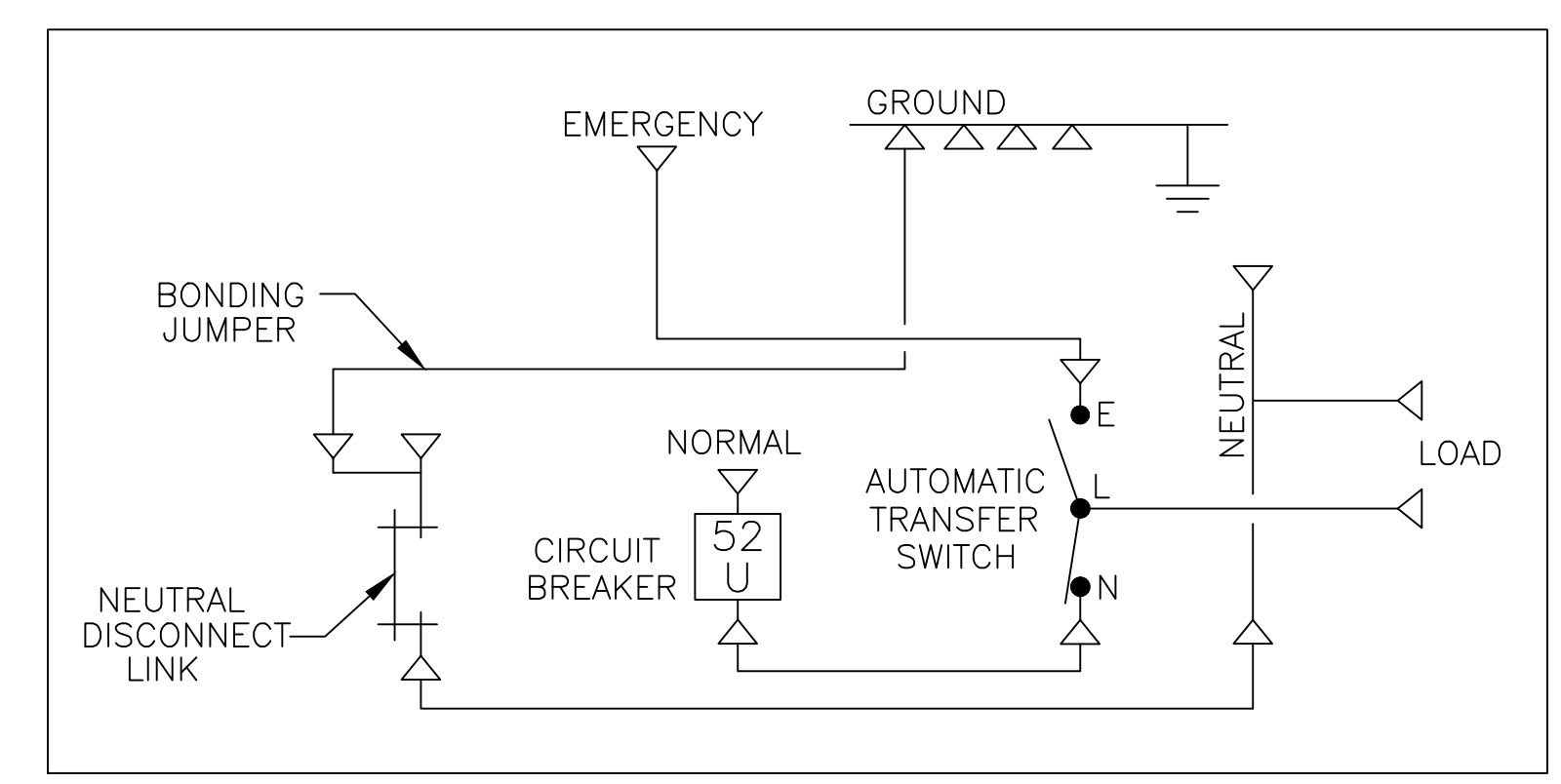


FRONT VIEW WITHOUT INNER DOOR

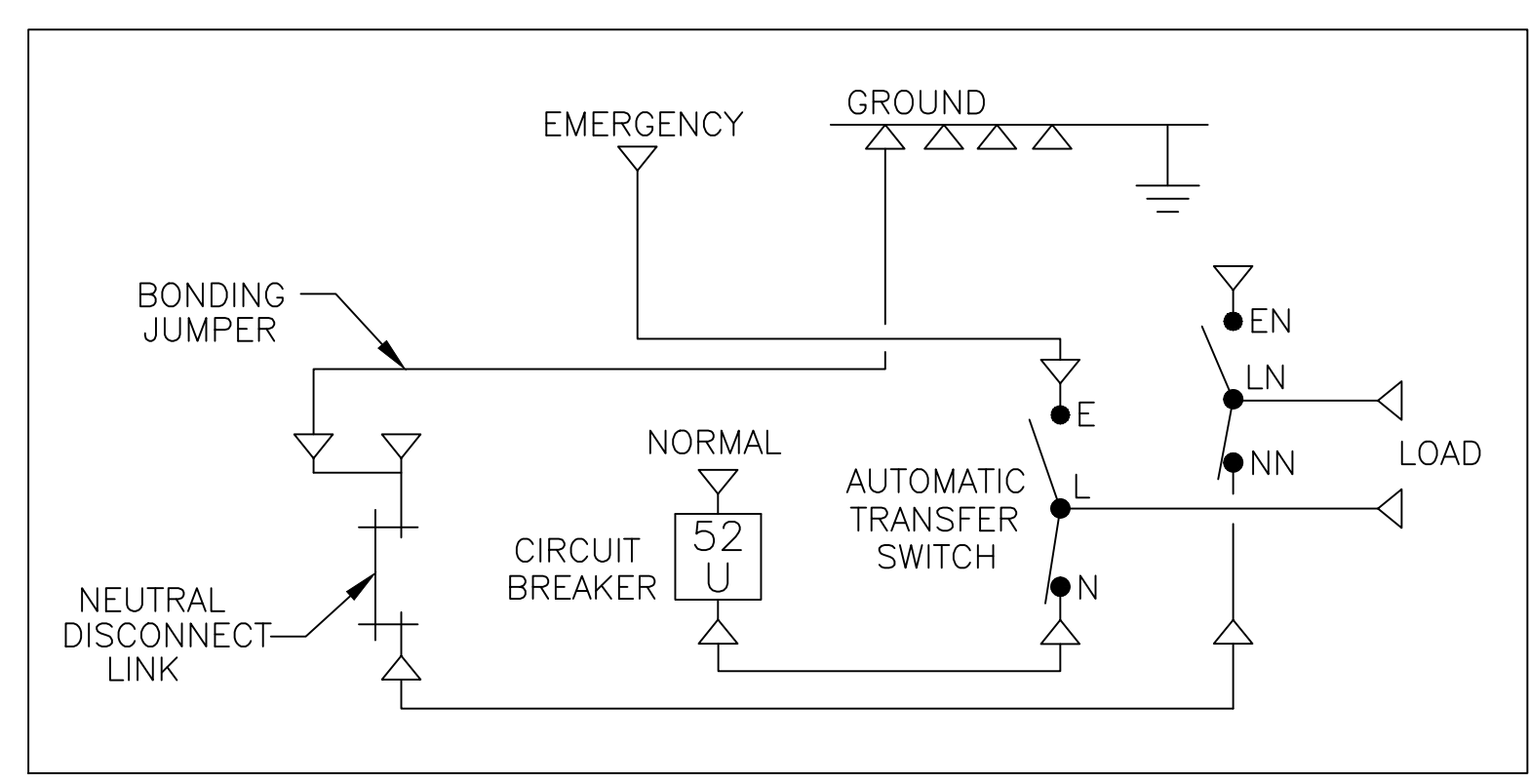


BOTTOM VIEW **TYPE 3R ONLY**

ONE LINE DIAGRAMS



(WITH SOLID NEUTRAL)



(WITH SWITCHED/OVERLAPPING NEUTRAL)

PROJECT NAME:		MOUNTING		REV. TO SHEET	ECN NO.	BY	APP.	DATE
OUTLINE		MOUNTING		A	264205	SY	RN	11/15/16
J AUS 150A-400A, LHL SERVICE ENTRANCE BREAKER ON NORMAL.				SEE ECN				
TYPE 12/3R, 48 X 42 X 18				259582		MCH RN		
				NEW ISSUE				
DRAWN BY		DATE		MANUFACTURING TOLERANCES TO BE IN ACCORDANCE WITH ASCO PROCEDURE MP-1-003. FOR PLASTIC PARTS SEE MP-1-005.		ASSEM. REF. NO.		COMPUTER GENERATED DRAWING
MCH		02-24-16						SCALE 1/8" = 1" SIZE DS
CHECKED				PROPERTY OF ASCO POWER TECHNOLOGIES. USE PERMITTED FOR OUR WORK ONLY. ALL RIGHTS OF DESIGN OR INVENTION ARE RESERVED.				DWG. NO.
RN								805715-008
PROJECT APPROVAL				ASCO POWER TECHNOLOGIES, L.P.				REV. A
				FLORHAM PARK, NEW JERSEY 07932 U.S.A.				ECN NO. 264205
FINAL APPROVAL				ASCO				SHEET 1 OF 1