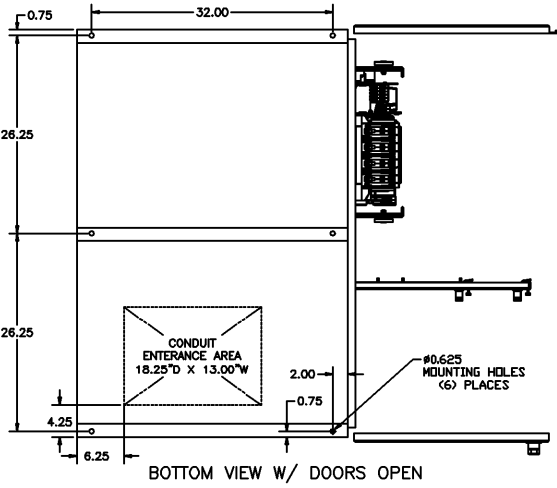
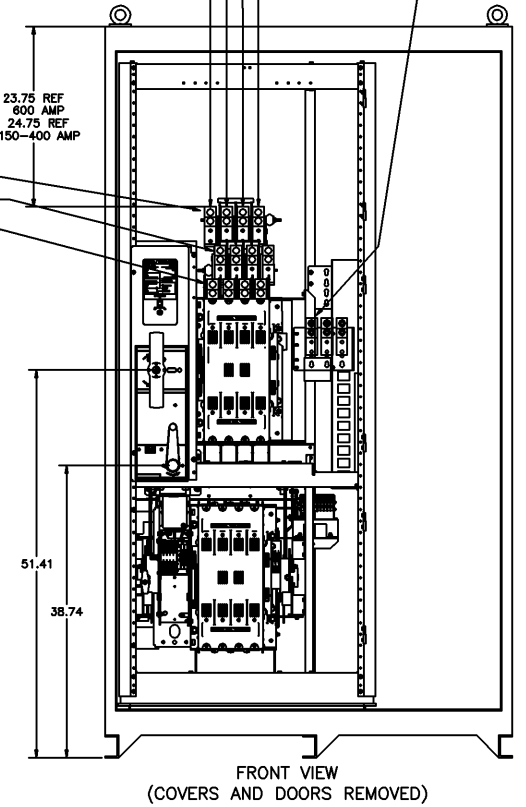
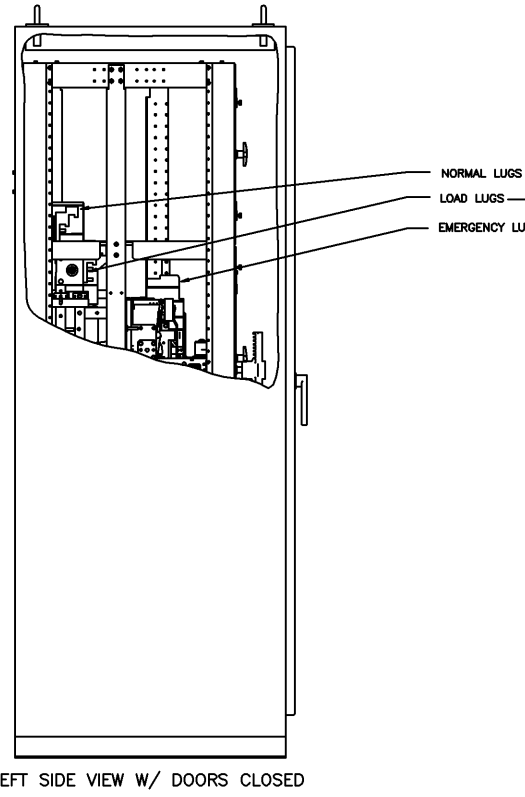
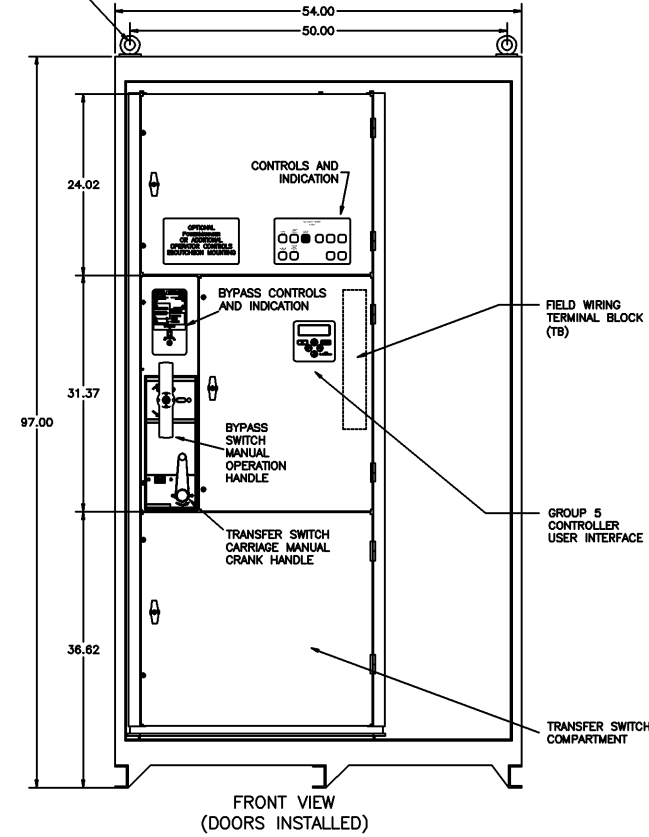
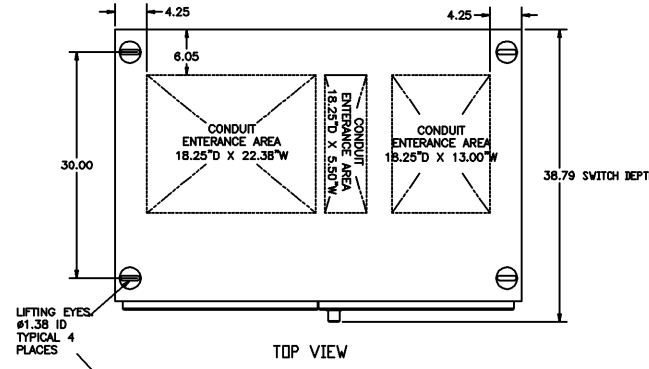
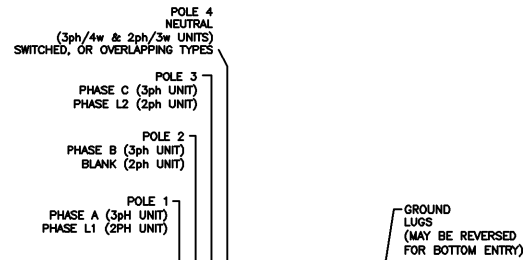
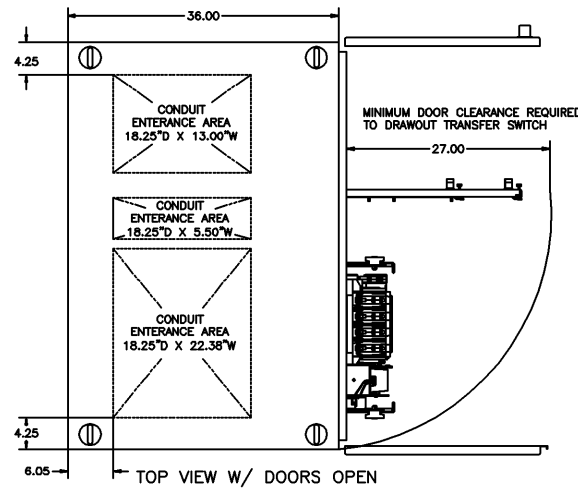


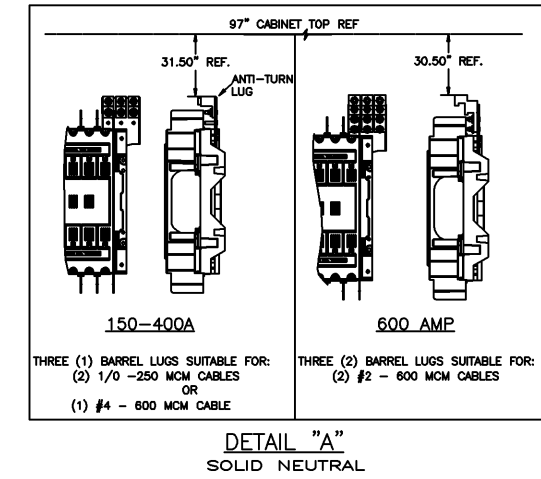
OUTLINE & MOUNTING FOR ASCO® 7000 SERIES FRONT CONNECTED AUTOMATIC TRANSFER & BYPASS-ISOLATION SWITCHES TYPES J7ATB, J7ACTB & J7ADTB RATED 150-600 AMPS



- GENERAL NOTES**
- TYPE 12/4/4X ENCLOSURE. FREE STANDING. FLOOR MOUNTED.
 - MATERIAL: 12 GAUGE STEEL TYPE 12/4 - CARBON STEEL; TYPE 4X - 304 STAINLESS STEEL.
 - FINISH: ANSI 61 GRAY, POLYESTER POWDER. UL RECOGNIZED.
 - CONSTRUCTION IS IN ACCORDANCE WITH UL 1008.
 - PADLOCKING PROVISIONS ARE INCLUDED ON TYPE 4/4X; KEY LOCKING LATCHING HANDLES ON TYPE 12; ISOLATION HANDLE: THE TRANSFER SWITCH ISOLATION HANDLE MAY BE PADLOCKED WITH THE TRANSFER SWITCH IN THE FULLY ISOLATED (DISCONNECTED POSITION).
 - RECOMMENDED FRONT CLEARANCE: 27 INCHES MINIMUM.
 - A 20% RATED GROUND BUS IS PROVIDED.
 - A FULL RATED NEUTRAL CONNECTION FOR EACH SOURCE AND THE LOAD IS OPTIONAL. WHEN PROVIDED IT IS IN ONE OF THE FOLLOWING FORMATS AS SPECIFIED BY THE CATALOG NO. NEUTRAL TYPE:
 TYPE A: SOLID (COPPER BUS) NEUTRAL
 TYPE B: SWITCHED NEUTRAL POLE
 TYPE C: OVERLAPPING NEUTRAL POLE (NOT AVAILABLE ON 7ADTB & 7ACTB UNITS)
 - APPROXIMATE WEIGHT: 1601 LBS.
 - STANDARD OUTLINE FOR A FOUR POLE 600 AMP TRANSFER SWITCH WITH BYPASS/ISOLATION SWITCH SHOWN. SEE DETAIL "A" FOR LUG CONFIGURATION OF SOLID NEUTRAL.
 - BOTH BYPASS SWITCH MANUAL OPERATION HANDLE & TRANSFER SWITCH CARRIAGE MANUAL CRANK HANDLE CAN BE REMOVED. NOTE THAT THE TRANSFER SWITCH CARRIAGE MANUAL CRANK HANDLE CAN BE LEFT IN PLACE AND FOLDED DOWN.

- CABLING NOTES**
- ALL SIZES SUPPLIED STANDARD WITH MECHANICAL (SCREW TYPE) LUGS. (SEE AMP SIZE BELOW)
 - A. LUG MATERIAL: ALUMINUM ALLOY 6061-T6 WITH ELECTRO TIN PLATED FINISH.
 - B. SCREW MATERIAL: ALUMINUM ALLOY 6282-T9 WITH ELECTRO TIN PLATED FINISH.
 - C. UL LISTED, CSA CERTIFIED.
 - D. LUG MAX WIRE TIGHTENING TORQUE PER UL 486B; SEE TABLE BELOW.
 - OPTIONAL COPPER CRIMP LUGS MAY BE SUPPLIED. CONSULT FACTORY.
 - A. LUG MATERIAL: HIGH CONDUCTIVITY WROUGHT COPPER FINISH, ELECTRO TIN PLATED.
 - B. UL LISTED, CSA CERTIFIED.
 - C. LUG MOUNTING HARDWARE TIGHTENING TORQUE: (REFER TO WITHSTAND CURRENT RATING LABEL PROVIDED ON EACH TRANSFER SWITCH).
 - D. SUITABLE WIRE BENDING SPACE IS PROVIDED.
 - GROUND LUGS ARE PROVIDED STANDARD AS FOLLOWS:
 - (6) 600MCM AL/CU CABLES FOR 600 AMP
 - (3) 600MCM AL/CU CABLES FOR 150-400 AMP.
 - CONSULT FACTORY FOR OTHER TERMINATION REQUIREMENTS.

SIZE	CABLE ACCOMMODATIONS (PER PHASE & NEUTRAL)	LUG TORQUE
150-400	SCREW TYPE (STANDARD)- (2) 1/0 - 250 MCM AL/CU OR (1) #4 - 600 MCM AL/CU	500 IN.-LBS.
600	SCREW TYPE (STANDARD)- (2) #2 - 600 MCM AL/CU	375 IN.-LBS.



PROJECT NAME: OUTLINE & MOUNTING		REV. TO: SHEET		EDN NO. BY APP. DATE	
150-600 AMP TYPE 4/4X/12 SECURED		FRONT CONNECTED BYPASS		THIRD ANGLE PROJECTION	
DRAWN BY: EWM	DATE: 5/30/07	MANUFACTURING TOLERANCES TO BE IN ACCORDANCE WITH ASCO PROCEDURE MP-1-003. FOR PLASTIC PARTS SEE MP-1-005	ASSEMB. REF. NO.	COMPUTER GENERATED DRAWING	
CHECKED: JPB	DATE: 5/30/07	PROPERTY OF ASCO POWER TECHNOLOGIES. USE PERMITTED FOR OUR WORK ONLY. ALL RIGHTS OF DESIGN OR INVENTION ARE RESERVED.		SCALE: 1:1	SIZE: DS
FINAL APPROVAL:		ASCO POWER TECHNOLOGIES, LP. FLORHAM PARK, NEW JERSEY 07932 U.S.A.		DWG. NO. 802093-003	SHEET 1 OF 1