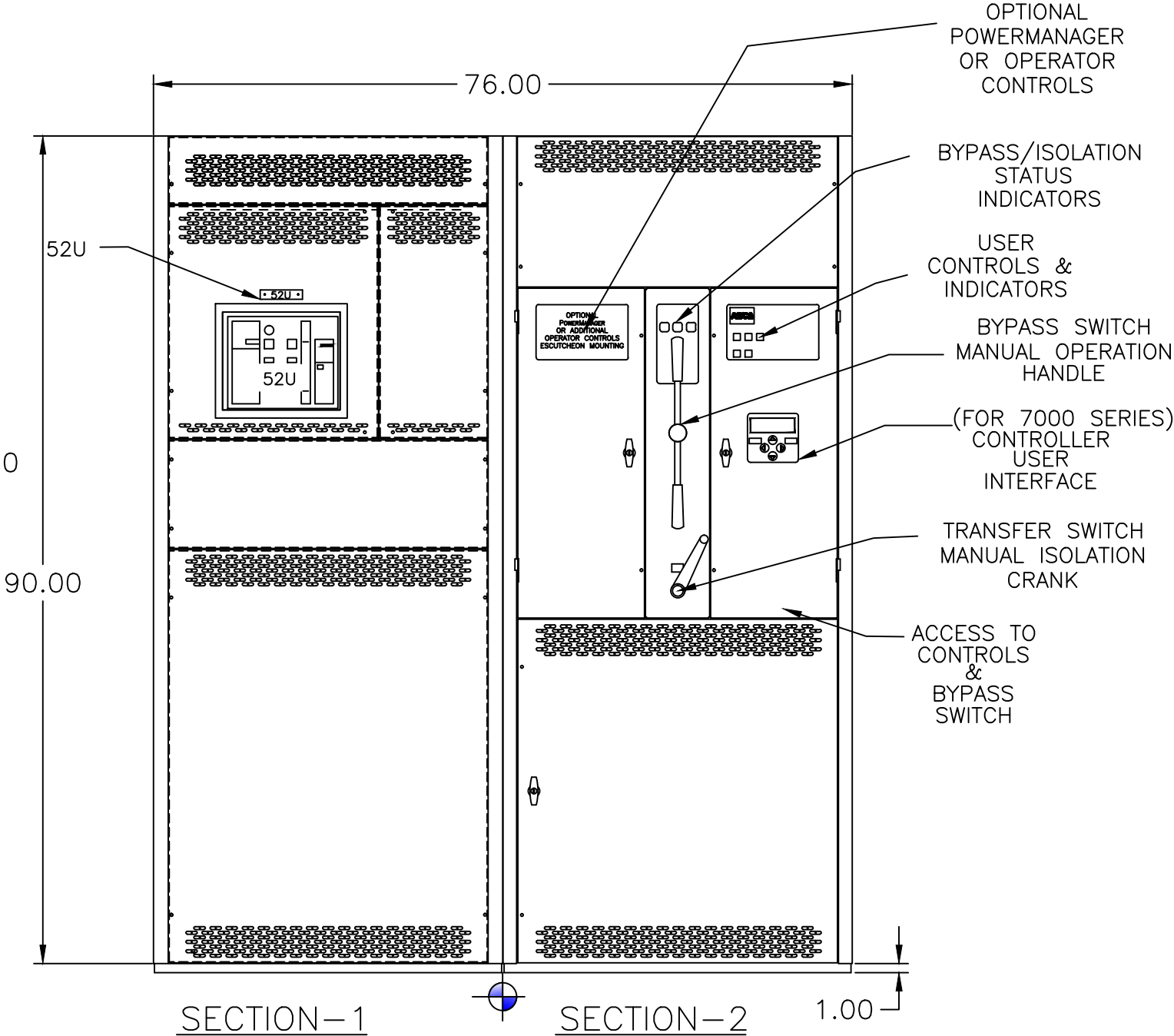
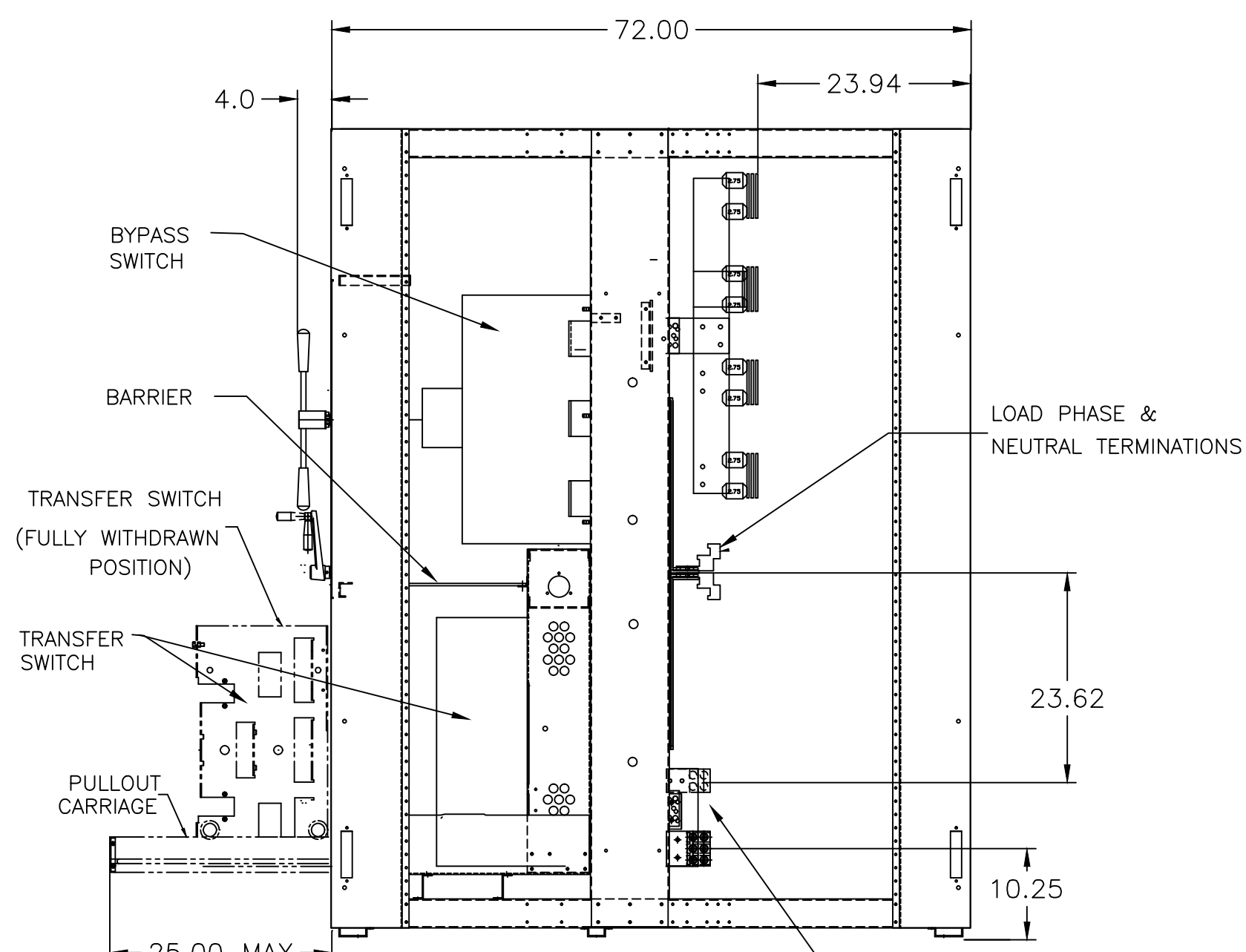


SECTION-1
LEFT SIDE VIEW

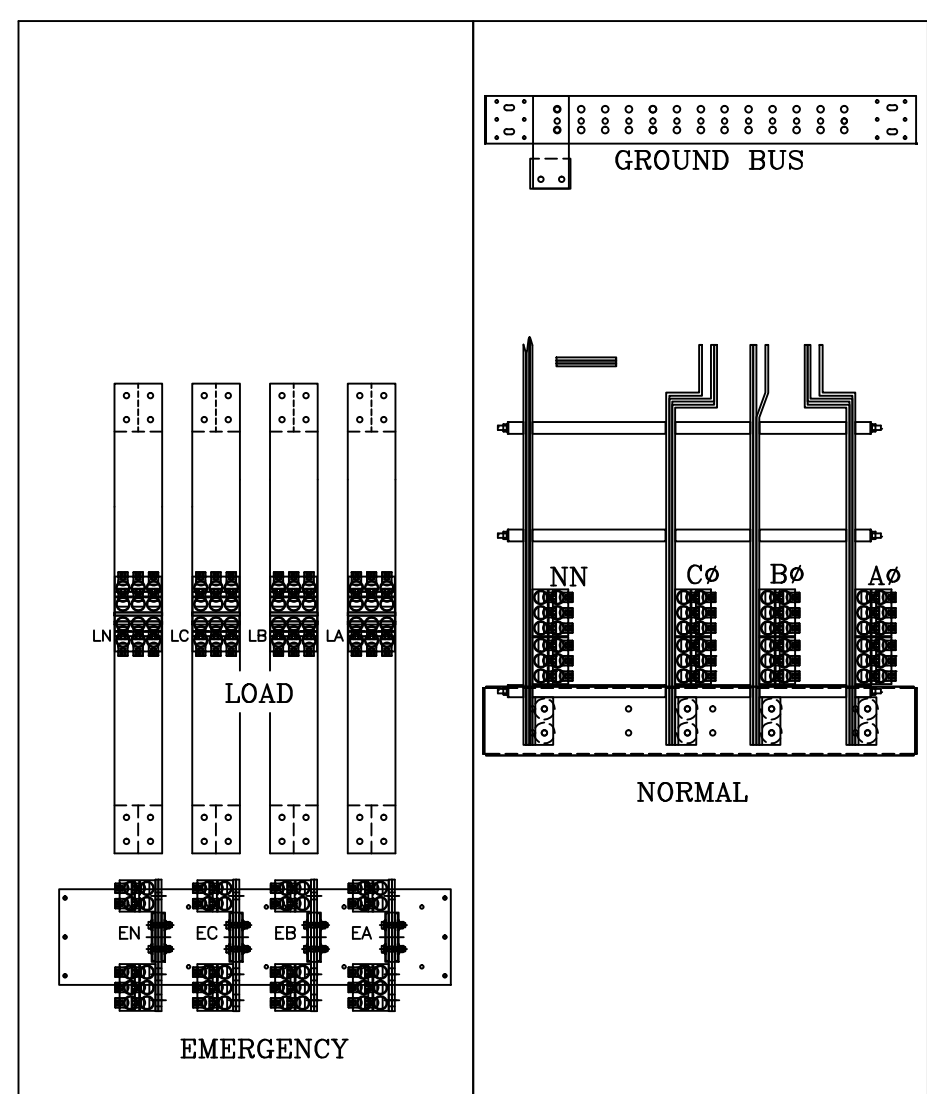


SECTION-1
FRONT VIEW

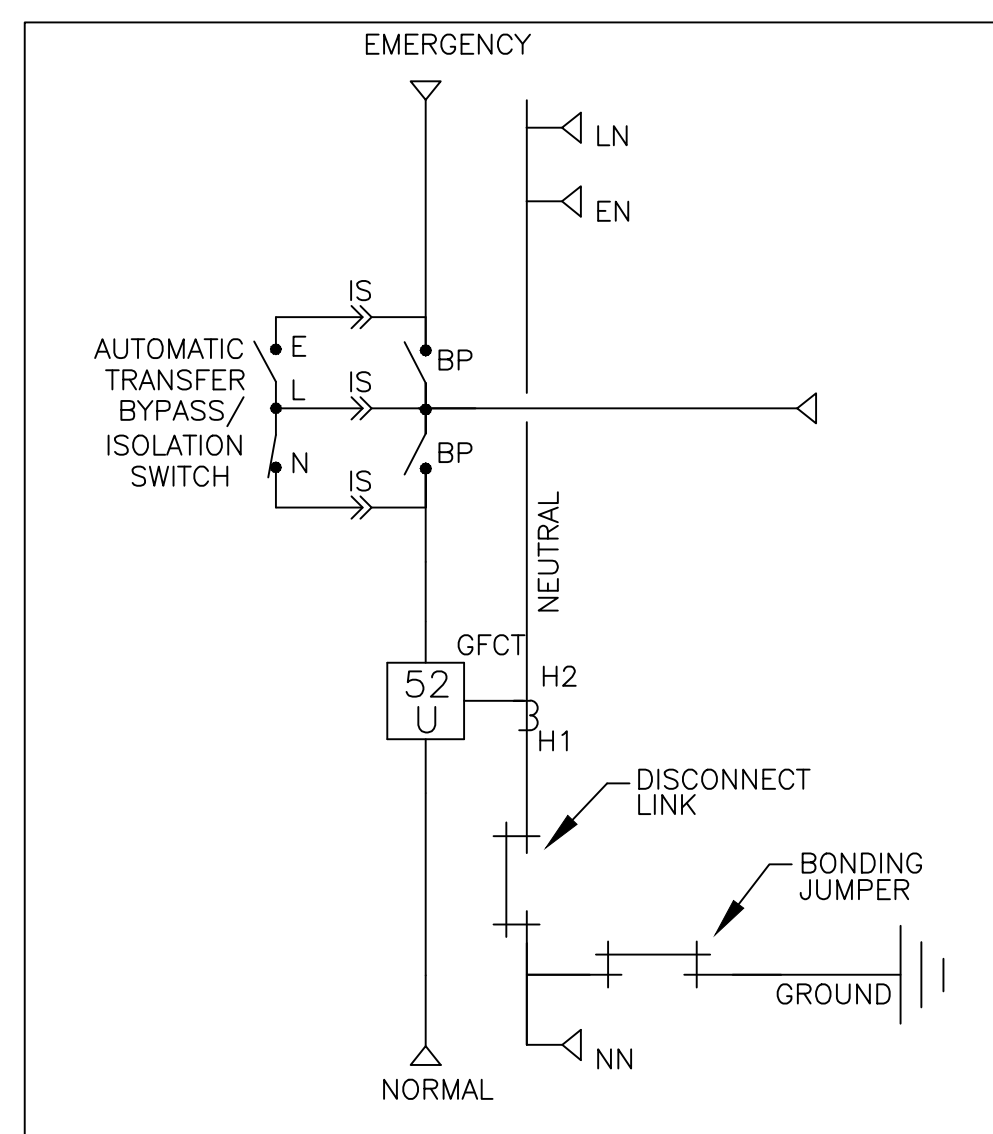


SECTION-2
RIGHT SIDE VIEW

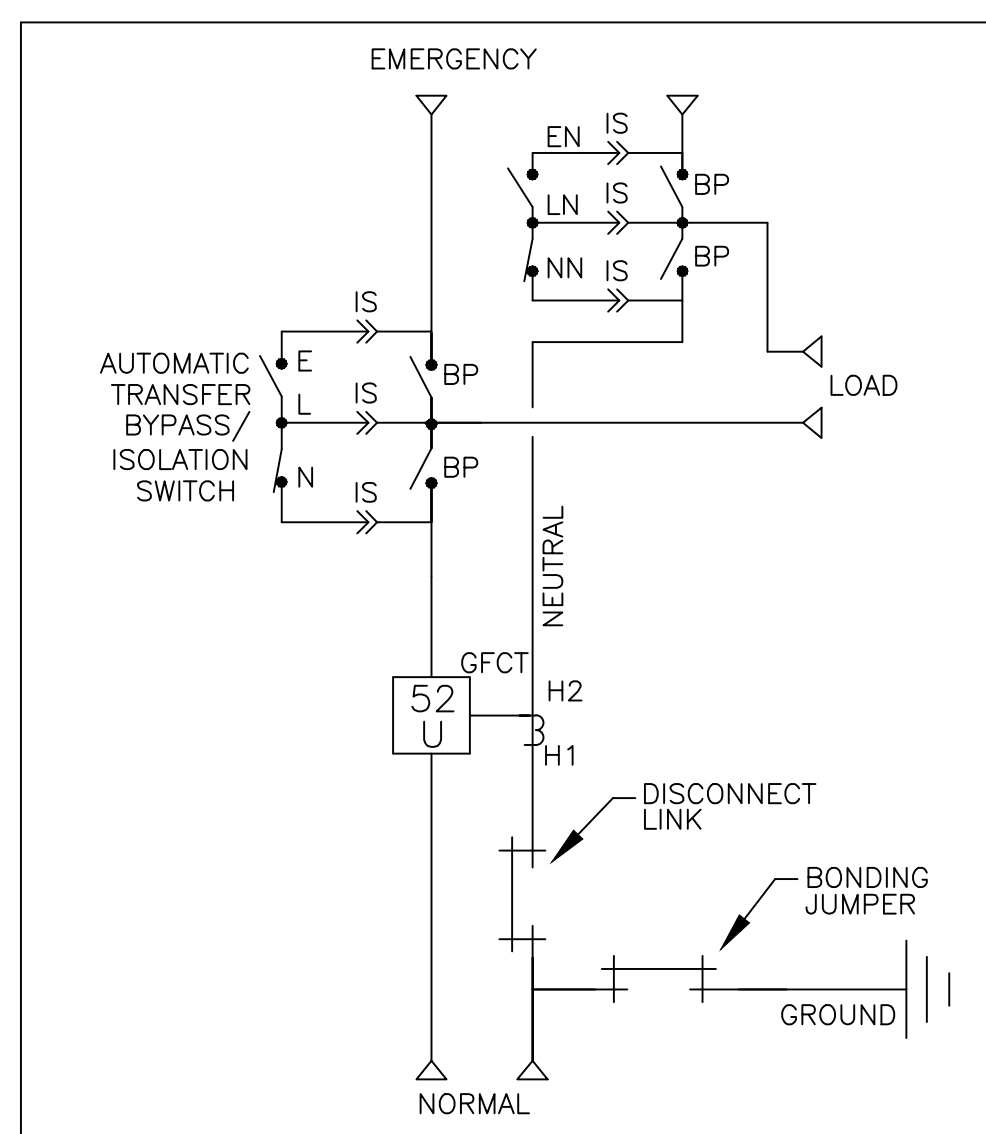
ONE LINE DIAGRAMS



SECTION-2
REAR VIEW



(WITH SOLID NEUTRAL)



(WITH SWITCHED/OVERLAPPING NEUTRAL)

GENERAL NOTES

- TYPE 1 ENCLOSURE. FREE STANDING. FLOOR MOUNTED. CODE GAUGE STEEL.
- ALL DOORS HAVE LOCKABLE HANDLES WITH COMMON KEYING AND CAPTIVE SCREWS AS REQUIRED.
- FINISH: ANSI 61 GRAY POLYESTER SEMI GLOSS ELECTROSTATIC POWDER.
- PADLOCKING PROVISIONS ARE INCLUDED:
ISOLATION CRANK: THE TRANSFER SWITCH ISOLATION CRANK MAY BE PADLOCKED WITH THE TRANSFER SWITCH IN THE FULLY ISOLATED (DISCONNECTED) POSITION.
- RECOMMENDED CLEARANCES:
FRONT: 48 INCHES; REAR: 36 INCHES
- ALL BUS IS SILVER-PLATED COPPER, BASED ON 1000A PER SQ. IN. DENSITY.
- A FULL RATED NEUTRAL CONNECTION FOR EACH SOURCE AND THE LOAD IS OPTIONAL. WHEN PROVIDED IT IS IN ONE OF THE FOLLOWING FORMATS AS SPECIFIED BY THE CATALOG NO. NEUTRAL TYPE:
A. SOLID (COPPER BUS) NEUTRAL
B. SWITCHED NEUTRAL POLE
C. OVERLAPPING NEUTRAL POLE (NOT AVAILABLE ON 7ADUB UNIT)
- DESIGNED FOR FRONT AND REAR ACCESS.
- AIR VENTS PER. MANUFACTURER'S STANDARD.
- FOR SPECIFIED TRANSFER SWITCH, REFER TO OPERATOR'S MANUAL PROVIDED WITH UNIT.
- ⊕ DENOTES SHIPING SPLIT.

SPECIFICATIONS

- SERVICE VOLTAGE:
SYSTEM RATING: 2500 AMPS, 3000 AMPS, 3Ø, 4W.
GROUND BUS- 600 AMPS
UL SHORT CIRCUIT RATING- 100,000 AIC RMS SYM @ 480V (LOWEST RATED DEVICE)
- BATTERY VOLTAGE: N/A
- NEUTRAL BUS: 3000 AMPS
- APPLICABLE LABELS: U.L. 891- SUITABLE ONLY FOR USE AS SERVICE EQUIPMENT.

CABLING NOTES

- ALL SIZES SUPPLIED STANDARD WITH MECHANICAL (SCREW TYPE) LUGS ON THE NORMAL, EMERGENCY & LOAD BUS STABS. ONE (1) LUG PER PHASE AND NEUTRAL EACH SUITABLE FOR CONNECTION OF TEN (10) #2 AWG - 600 MCM CU/AL CABLE (SEE NOTE "E" BELOW).
A. LUG MATERIAL: ALUMINUM ALLOY 6061-T6 WITH ELECTRO TIN PLATED FINISH.
B. SCREW MATERIAL: ALUMINUM ALLOY 6262-T9 WITH ELECTRO TIN PLATED FINISH.
C. UL LISTED, CSA CERTIFIED.
D. LUG SCREW TIGHTENING TORQUE PER UL 486B: 19 FT-LBS.
E. SUITABLE WIRE BENDING SPACE IS PROVIDED PER NEC.
- OPTIONAL LUGS.
A. REFER TO LUG INSTALLATION DATA PROVIDED WITH THE UNIT FOR FULL INSTALLATION DETAILS.
B. SUITABLE WIRE BENDING SPACE IS PROVIDED PER NEC.
- GROUND LUGS ARE PROVIDED STANDARD AS FOLLOWS.
(36) 1/0 - 750 MCM CU/AL CABLE.
- CONSULT FACTORY FOR OTHER TERMINATION REQUIREMENTS.

CIRCUIT BREAKER: ITEM 52U

SQUARE "D" 100% RATED TYPE "NW", 3000AF/3000AT OR 2500AF/2500AT STATIONARY MOUNTED, MANUALLY OPERATED, WITH LONG DELAY, SHORT DELAY, INSTANTANEOUS AND GROUND FAULT TRIP SETTINGS, 100,000 AIC RMS SYM. @ 480V.

K	256692	BS	RN	08/27/15
	SEE ECN			
J	236194	RBR	RN	03/13/12
	SEE ECN			
H	227138	SV	RN	04/22/10
	SEE ECN			
G	225155	DP	RN	11/16/09
	ADDED NOTE 11			
F	222265	WK	BK	03/20/09
	SEE ECN			
E	221481	DP	RN	1/20/09
	SEE ECN			
D	220447	TR	WK	10/25/08
	SEE ECN			
C	213639	PBP	WK	06/04/07
	SEE ECN			

PROJECT NAME: SERVICE ENTRANCE 2500-3000A, TYPE 1 ENCLOSURE		REV. TO SHEET	ECN NO.	BY	APP.	DATE
OUTLINE		MOUNTING				
GAUB 2500-3000A						
TYPE 1 91 X 38 X 72						
MANUFACTURING TOLERANCES TO BE IN ACCORDANCE WITH ASCO PROCEDURE MP-1-003. FOR PLASTIC PARTS SEE MP-1-005.		ASSEM. REF. NO.		COMPUTER GENERATED DRAWING		
SCALE 1/16" = 1" SIZE DS	PROPERTY OF ASCO POWER TECHNOLOGIES. USE PERMITTED FOR OUR WORK ONLY. ALL RIGHTS OF DESIGN OR INVENTION ARE RESERVED.		DWG. NO. 740256-015			
DRAWN BY AE 07/30/04	PROJECT APPROVAL WK 07/30/04		DRAWING K		ECN NO. 256692	
CHECKED BK 07/30/04	FINAL APPROVAL		ASCO		ASCO POWER TECHNOLOGIES, L.P. FLOHAM PARK, NEW JERSEY 07932 U.S.A.	
SHEET 1 OF 1						