

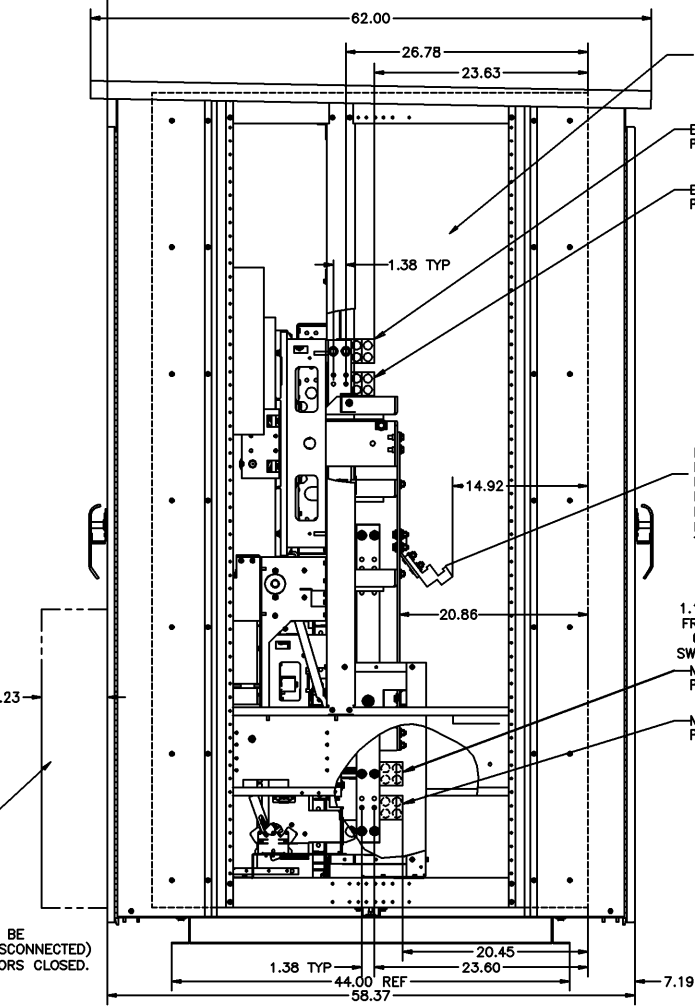
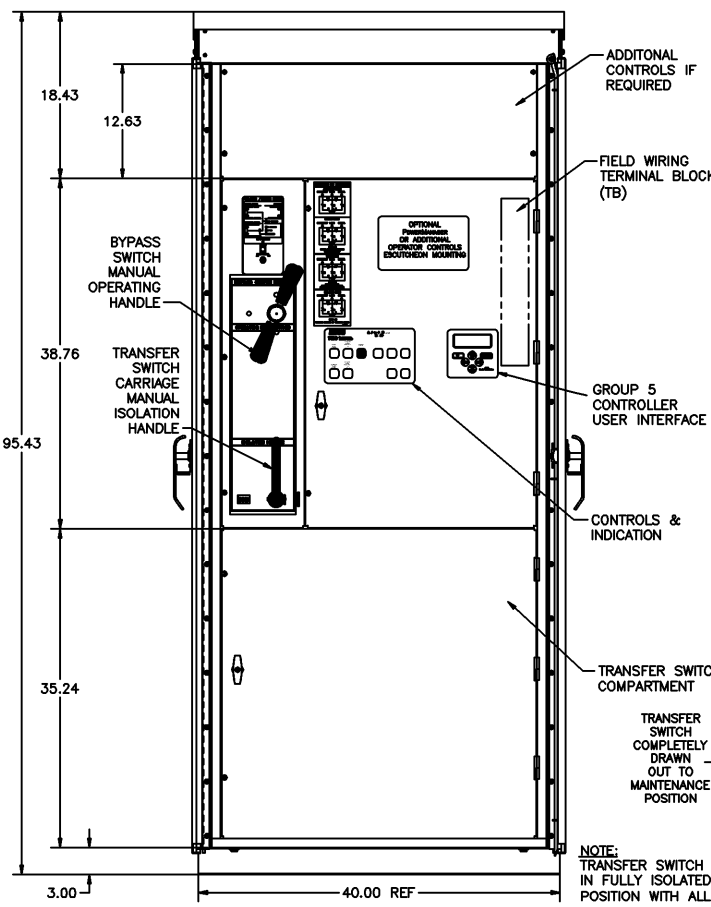
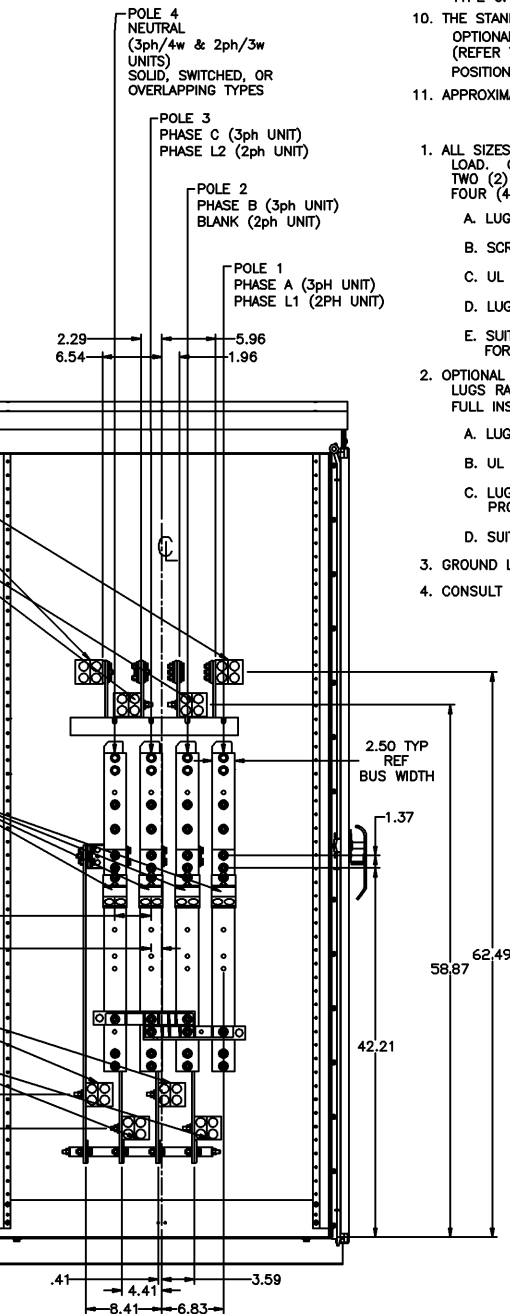
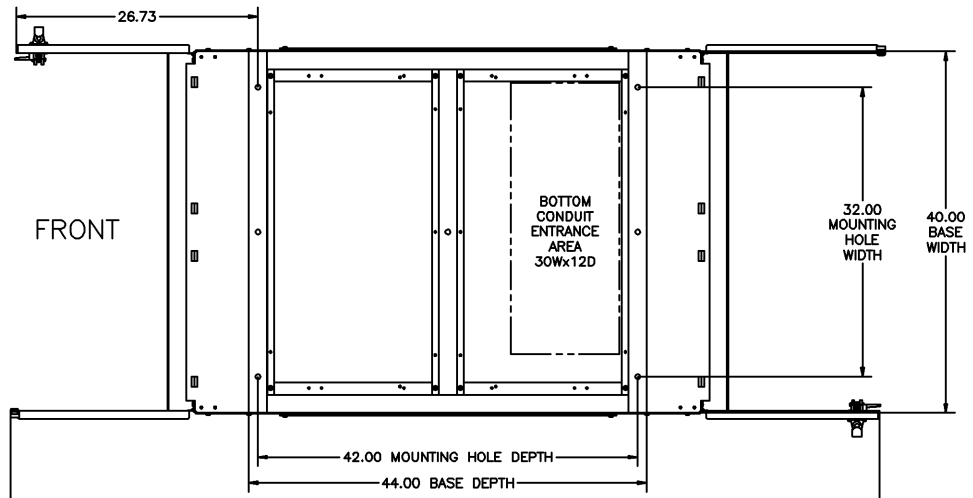
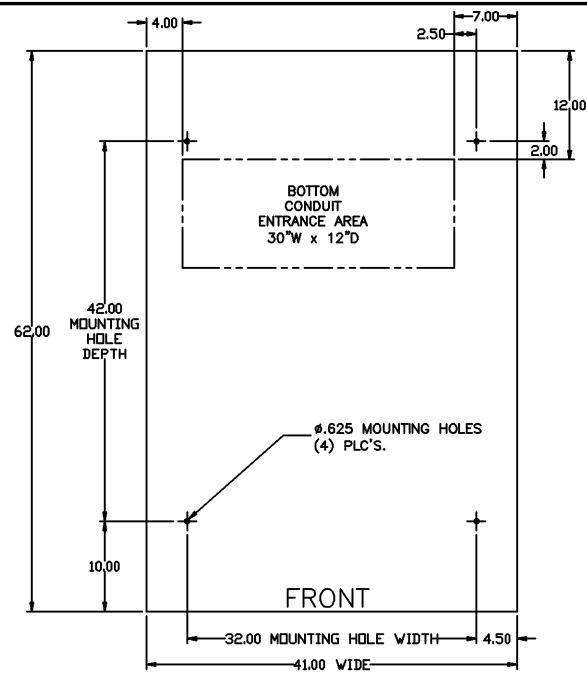
OUTLINE & MOUNTING FOR ASCO® 7000 SERIES AUTOMATIC TRANSFER & BYPASS-ISOLATION SWITCHES TYPES H7ATB, H7ACTB & H7ADTB RATED 600-1200 AMPS

GENERAL NOTES

- TYPE 3R RAINPROOF ENCLOSURE. FREE STANDING. FLOOR MOUNTED. 12 GAUGE FRAME CONSTRUCTION.
- NEC STANDARD GAUGE PAN TYPE DOORS WITH THREE POINT LATCHING PADLOCKABLE HANDLES.
- FINISH: ASA 61 GRAY, POLYESTER POWDER STANDARD. UL RECOGNIZED. OTHER ANSI COLORS AVAILABLE CONSULT FACTORY.
- CONSTRUCTION IS IN ACCORDANCE WITH UL 1008.
- PADLOCKING PROVISIONS ARE INCLUDED:
ISOLATION HANDLE: THE TRANSFER SWITCH ISOLATION HANDLE MAY BE PADLOCKED WITH THE TRANSFER SWITCH IN THE FULLY ISOLATED (DISCONNECTED POSITION).
- UNIT CAN BE ADAPTED FOR CONNECTION OF BUS DUCT FLANGES. (CONSULT FACTORY)
- RECOMMENDED CLEARANCES:
FRONT: 36 INCHES
REAR: 36 INCHES
- A 20% RATED GROUND BUS IS PROVIDED AT THE BOTTOM REAR OF THE CABLE COMPARTMENT.
- A FULL RATED NEUTRAL CONNECTION FOR EACH SOURCE AND THE LOAD IS OPTIONAL. WHEN PROVIDED IT IS IN ONE OF THE FOLLOWING FORMATS AS SPECIFIED BY THE CATALOG NO. NEUTRAL TYPE:
TYPE A: SOLID NEUTRAL BUS
TYPE B: SWITCHED NEUTRAL POLE
TYPE C: OVERLAPPING NEUTRAL POLE (NOT AVAILABLE ON 7ADTB & 7ACTB UNITS)

CABLING NOTES

- ALL SIZES SUPPLIED STANDARD WITH MECHANICAL (SCREW TYPE) LUGS ON THE NORMAL, EMERGENCY & LOAD. ONE (1) LUG PER PHASE AND NEUTRAL EACH SUITABLE FOR CONNECTION OF TWO (2) #2-800 MCM CU/AL CABLE FOR 600 AMP SWITCH. FOUR (4) 1/0-750 MCM CU/AL CABLE FOR 800-1200 AMP SWITCH.
A. LUG MATERIAL: ALUMINUM ALLOY 6061-T8 WITH ELECTRO TIN PLATED FINISH.
B. SCREW MATERIAL: ALUMINUM ALLOY 6262-T9 WITH ELECTRO TIN PLATED FINISH.
C. UL LISTED, CSA CERTIFIED.
D. LUG SCREW TIGHTENING TORQUE PER UL 486B: 375 IN.-LBS.
E. SUITABLE WIRE BENDING SPACE IS PROVIDED FOR UP TO TWO (2) 600MCM CABLES PER TERMINAL FOR THE 600 AMP SWITCH & FOUR (4) 600 MCM CABLES PER TERMINAL FOR THE 800-1200 AMP SWITCH.
- OPTIONAL COPPER CRIMP LUGS MAY BE SUPPLIED. UP TO THREE (3) TWO HOLE, LONG BARREL CU CRIMP LUGS RATED FOR UP TO 750MCM. (REFER TO CRIMP LUG INSTALLATION DATA PROVIDED WITH UNIT FOR FULL INSTALLATION DETAILS).
A. LUG MATERIAL: HIGH CONDUCTIVITY WROUGHT COPPER FINISH, ELECTRO TIN PLATED.
B. UL LISTED, CSA CERTIFIED.
C. LUG MOUNTING HARDWARE TIGHTENING TORQUE: (REFER TO WITHSTAND CURRENT RATING LABEL PROVIDED ON EACH TRANSFER SWITCH).
D. SUITABLE WIRE BENDING SPACE IS PROVIDED FOR UP TO THREE (3) 750MCM CABLES PER TERMINAL.
- GROUND LUGS FOR UP TO (12) 750MCM - 1/0 CU/AL CABLES ARE PROVIDED AS STANDARD.
- CONSULT FACTORY FOR OTHER TERMINATION REQUIREMENTS.



D	218022	TR	WK	04/18/08
C	208712	PBP	WK	11/21/05
B	166814	AMS	WK	04/15/04
A	164165	SAB	RKJ	6/24/03
	164033	SAB	WK	03/10/03
				NEW ISSUE
REV. TO	EDN NO.	BY	APP.	DATE
PROJECT NAME: XD 1024 H SERIES				
OUTLINE & MOUNTING		600-1200 AMP TYPE 3R SECURED TB, CTB, DTB TRANSFER WITH BYPASS/ISOLATION		
BY	DATE	MANUFACTURING TOLERANCES TO BE IN ACCORDANCE WITH ASCO PROCEDURE MP-1-003. FOR PLASTIC PARTS SEE MP-1-005	ASSEMB. REF. NO.	COMPUTER GENERATED DRAWING
DRAWN BY	SAB	06/10/03		SCALE 1:1 SIZE DS
CHECKED	BM	6/10/03	PROPERTY OF ASCO POWER TECHNOLOGIES. USE PERMITTED FOR OUR WORK ONLY. ALL RIGHTS OF DESIGN OR INVENTION ARE RESERVED.	DWG. NO. 736939-001
PROJECT APPROVAL				DRAWING D
FINAL APPROVAL	WK	06/10/03	ASCO POWER TECHNOLOGIES, LP. FLORENCE PARK, NEW JERSEY 07932 U.S.A.	REV. 218022
				1 OF 1