

OUTLINE FOR ASCO® 4000 & 7000 SERIES 2600-3200 AMPERE "G" FRAME (ATS,ACTS,ADTS) REAR CONNECTED TRANSFER SWITCHES OPEN TYPE

GENERAL NOTES

1. THE STANDARD SWITCH CONFIGURATION IS FOR TOP EMERGENCY & LOAD AND BOTTOM NORMAL. OPTIONALLY, THE SWITCH MAY BE SUPPLIED WITH REVERSE SOURCES AND/OR BOTTOM LOAD. (REFER TO THE WIRING DIAGRAM FURNISHED WITH EACH TRANSFER SWITCH TO DETERMINE TERMINATION POSITIONS).
2. NEUTRAL CONFIGURATIONS:
AN OPTIONAL FULL RATED NEUTRAL CONFIGURATION FOR EACH SOURCE AND THE LOAD MAY BE PROVIDED. WHEN EQUIPPED IT IS IN ONE OF THE FOLLOWING FORMATS AS SPECIFIED BY THE CATALOG NUMBER NO. NEUTRAL TYPE:
(A) SOLID (COPPER BUS) NEUTRAL
(B) SWITCHED NEUTRAL POLE
(C) OVERLAPPING NEUTRAL POLE (NOT AVAILABLE ON ACTS/ADTS UNITS)
3. THE STANDARD MECHANICAL (SCREW TYPE) AL/CU TERMINAL LUGS ARE SHOWN FOR REFERENCE.
4. SWITCH NEUTRAL POLE IS SHOWN FOR REFERENCE.
5. WHEN INSTALLING CONDUCTORS, CONNECT TO SIMILARLY MARKED PHASES OF NORMAL, EMERGENCY & LOAD.
6. ALL INTERNAL CONNECTIONS ARE MADE AT FACTORY.
7. MAINTAIN ELECTRICAL CLEARANCE OF 1 INCH (25.4 mm) BETWEEN LIVE METAL PARTS AND GROUNDED METAL.
8. WHEN MOUNTING THE TRANSFER SWITCH IN THE ENCLOSURE, THE CONTROL PANEL(S) AND OPERATOR CONTROLS SHOULD BE MOUNTED ON THE INSIDE, REAR SURFACE OF THE DOOR. 6 IN. MIN. DEPTH TO TRANSFER SWITCH FOR CONTROLS IS REQUIRED.
9. THE CONTROL PANEL(S) IS CONNECTED TO THE TRANSFER SWITCH BY A HARNESS WITH A QUICK DISCONNECT PLUG(S). THE HARNESS EXITS THE TRANSFER SWITCH ON THE RIGHT SIDE. CONSULT FACTORY FOR EXTENSION HARNESSES.
10. OPTIONAL ACCESSORY ADD-ON PANELS.
11. FOR TYPE 1 ENCLOSURE SEE DETAIL A -1 AND DETAIL B -1 FOR CUTOUT DATA. FOR TYPE 3R, 4, & 12 ENCLOSURE SEE DETAIL A -2 & DETAIL B -2 FOR CUTOUT DATA. GASKETS AND BEZELS ARE PROVIDED FOR TYPE 3R, 4, & 12 ENCLOSURE.
12. CUSTOMER TERMINAL BLOCKS:
FOR ALL 7000 SERIES UNITS THE TB WILL BE MOUNTED ON THE UPPER RIGHT INSIDE OF ENCLOSURE AS INDICATED ON THE NEXT PAGE.
FOR 4000 SERIES UNITS TB WILL BE MOUNTED ON THE TRANSFER SWITCH FRAME AS INDICATED ON THIS PAGE.

SERIES	CATALOG PREFIX
4000	4ATS
	4NTS
	4ACTS
	4NCTS
	4ADTS
7000	7ATS
	7NTS
	7ACTS
	7NCTS
	7ADTS

SIZE	CABLE ACCOMMODATIONS (PER PHASE & NEUTRAL)
2600-3200	SCREW TYPE (STANDARD) - (12) 1/0 - 750 MCM AL/CU

NOTE: CONSULT FACTORY FOR OTHER CABLING & TERMINATION REQUIREMENTS.

APPROXIMATE SHIPPING WEIGHT, LBS (KG)

AMP SIZE	POLES	WEIGHT
2600 TO 3200	2	767 (348)
	B2	917 (416)
	C2	917 (416)
	3	917 (416)
	B3	997 (452)
C3	997 (452)	

MINIMUM ENCLOSURE REQUIREMENTS INCH (mm)

SWITCH RATING (AMPS)	HEIGHT	WIDTH	DEPTH
2600 & 3200	90 (2286)	38 (965)	60 (1524)

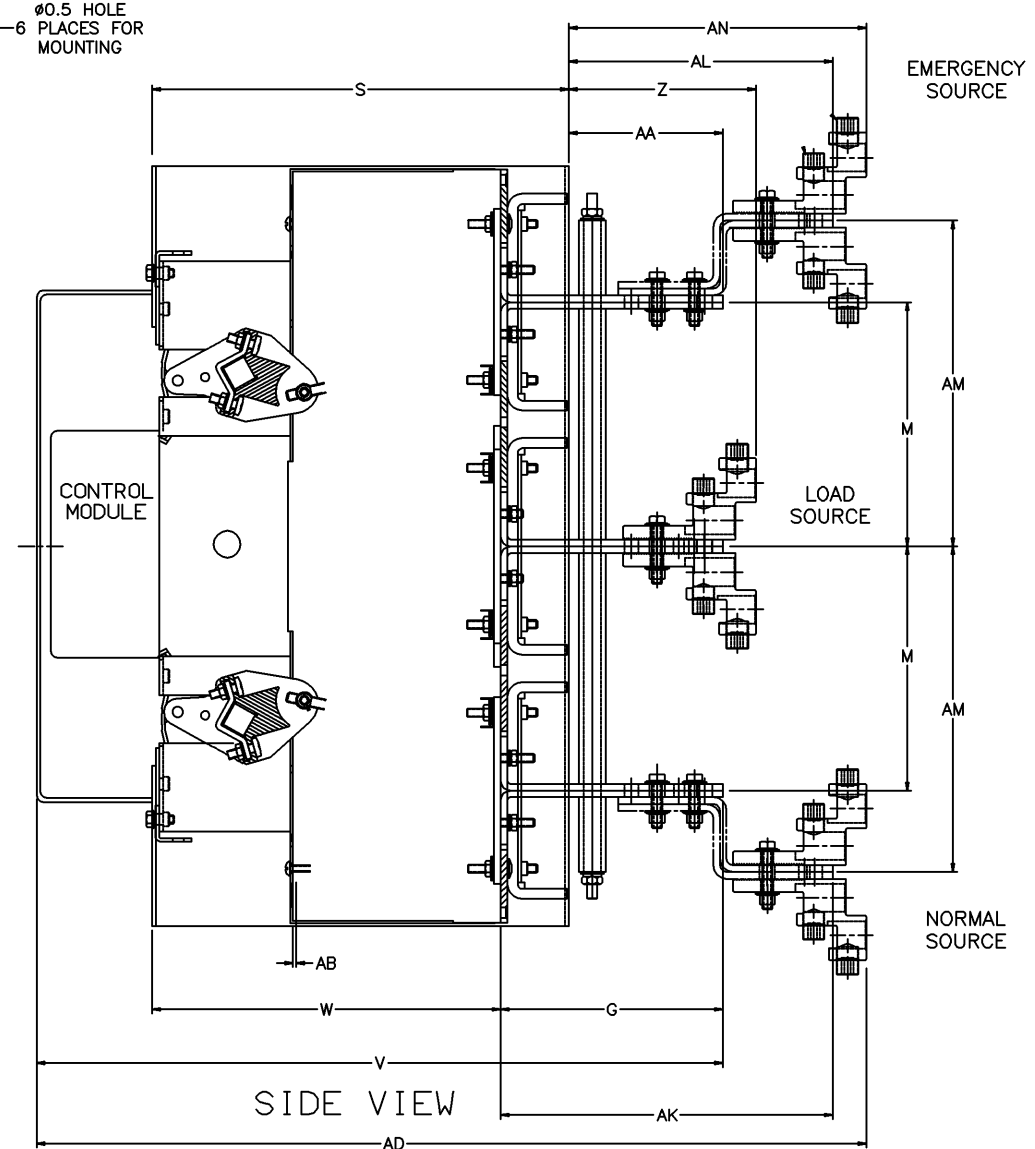
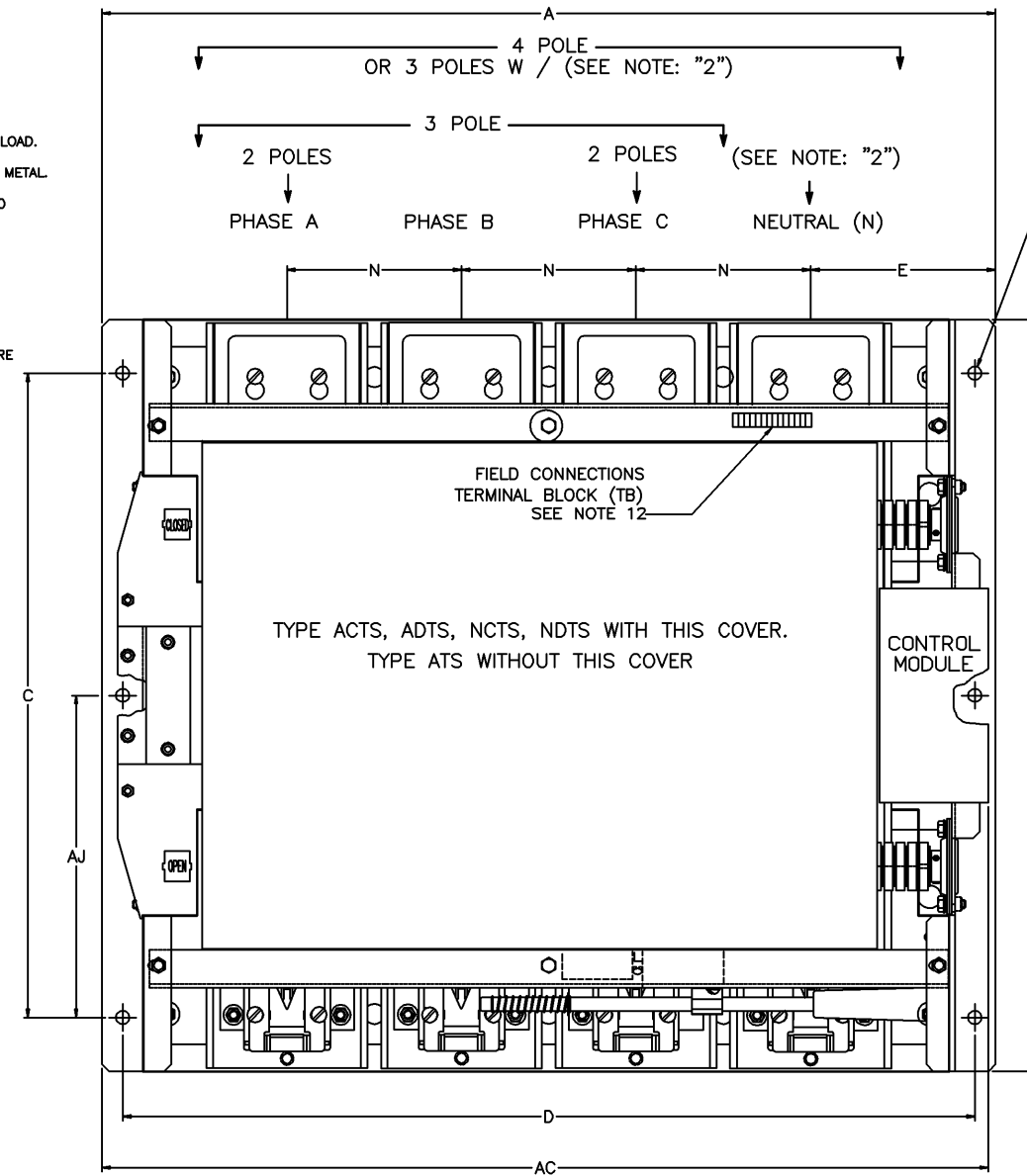
ENCLOSURE VENTILATION REQUIRED
TOTAL VENTILATION = 173 IN² (111613 mm²) MINIMUM.
RECOMMENDED: 33 IN² (21290 mm²) FRONT
140 IN² (90322 mm²) REAR

AMP SIZE	DIMENSIONS									
	A	B	C	D	E	F	G	H	J	K
2600 & 3200	33.27 845.1	28.00 711.2	24.00 609.6	31.75 806.5	6.88 174.8	—	8.20 208.3	.68 17.27	1.75 44.45	1.09 27.7

AMP SIZE	DIMENSIONS									
	L	M	N	P	Q	R	S	T	U	V
2600 & 3200	1.37 34.80	9.00 228.6	6.50 165.1	2.18 55.37	—	2.00 50.8	14.9 378.5	—	—	25.29 642.4

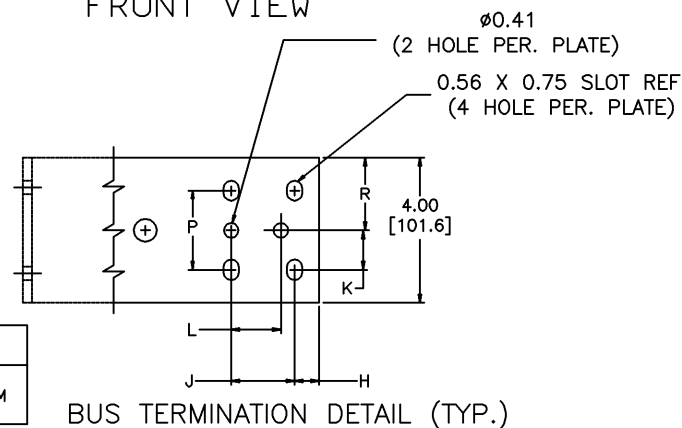
AMP SIZE	DIMENSIONS									
	W	X	Y	Z	AA	AB	AC	AD	AE	AF
2600 & 3200	12.36 313.9	—	—	6.90 175.3	5.69 144.5	0.112 2.85	33.00 838.2	30.57 776.5	—	—

AMP SIZE	DIMENSIONS						
	AG	AH	AJ	AK	AL	AM	AN
2600 & 3200	—	—	12.00 304.8	12.25 311.2	9.75 247.7	12.00 304.8	11.00 279.4



FRONT VIEW

SIDE VIEW



BUS TERMINATION DETAIL (TYP.)

AMP SIZE	BUS BAR PER PHASE BOLTING SURFACE
2600 THRU 3200	0.25 X 4.00 IN., 6.4 X 101.6 MM

REV.	TO	BY	DATE
D	214830	WK	08/23/07
C	211821	BK	01/30/07
B	205275	AJM	07/22/05
A	166261	SDH	02/18/04
—	159278	WK	11/06/01

PROJECT NAME: _____

OUTLINE
4000/7000 SERIES
2600-3200 AMPS

MANUFACTURING TOLERANCES TO BE IN ACCORDANCE WITH ASCO PROCEDURE MP-1-003. FOR PLASTIC PARTS SEE MP-1-005.

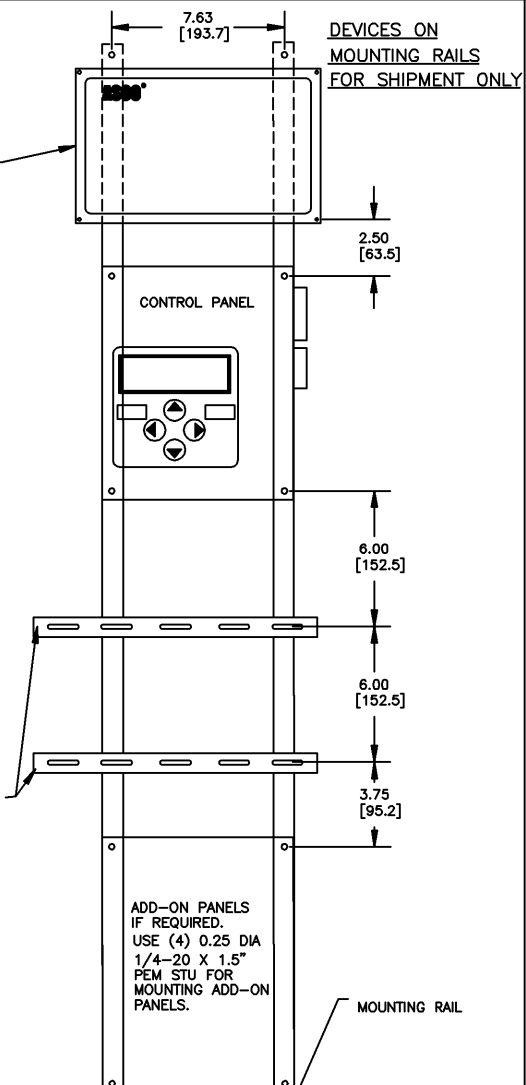
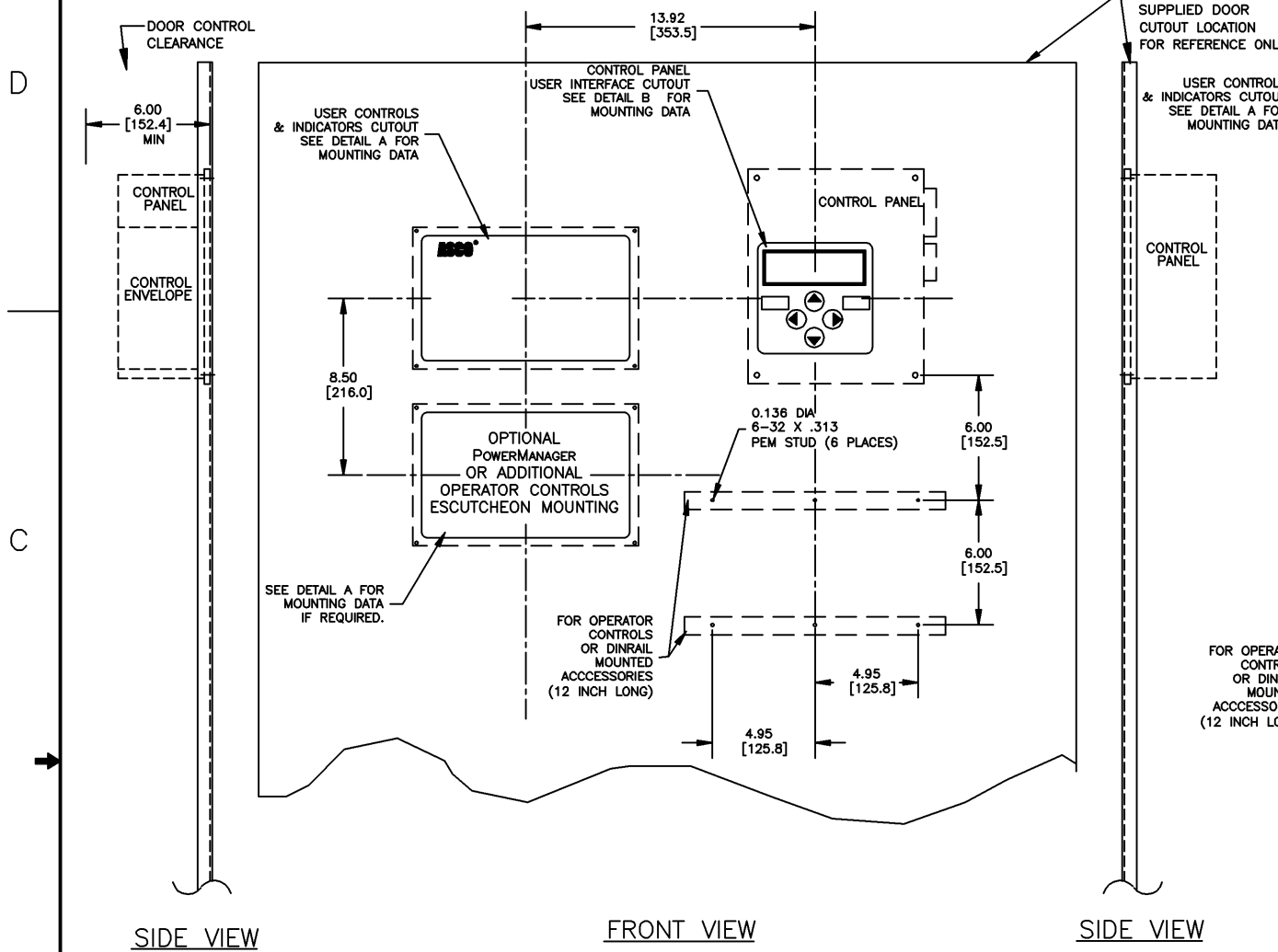
PROPERTY OF ASCO POWER TECHNOLOGIES. USE PERMITTED FOR OUR WORK ONLY. ALL RIGHTS OF DESIGN OR INVENTION ARE RESERVED.

ASCO POWER TECHNOLOGIES, LP.
FLORHAM PARK, NEW JERSEY 07932 U.S.A.

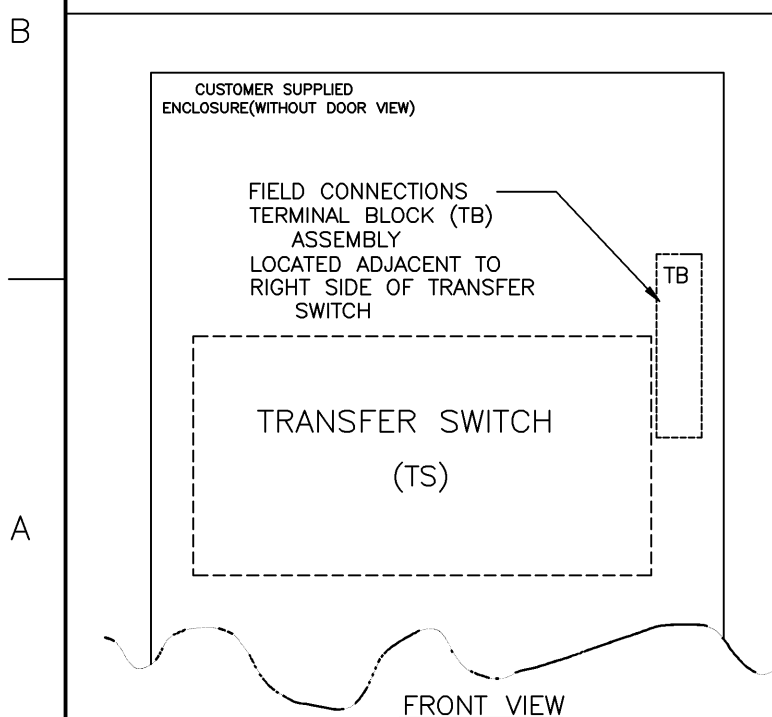
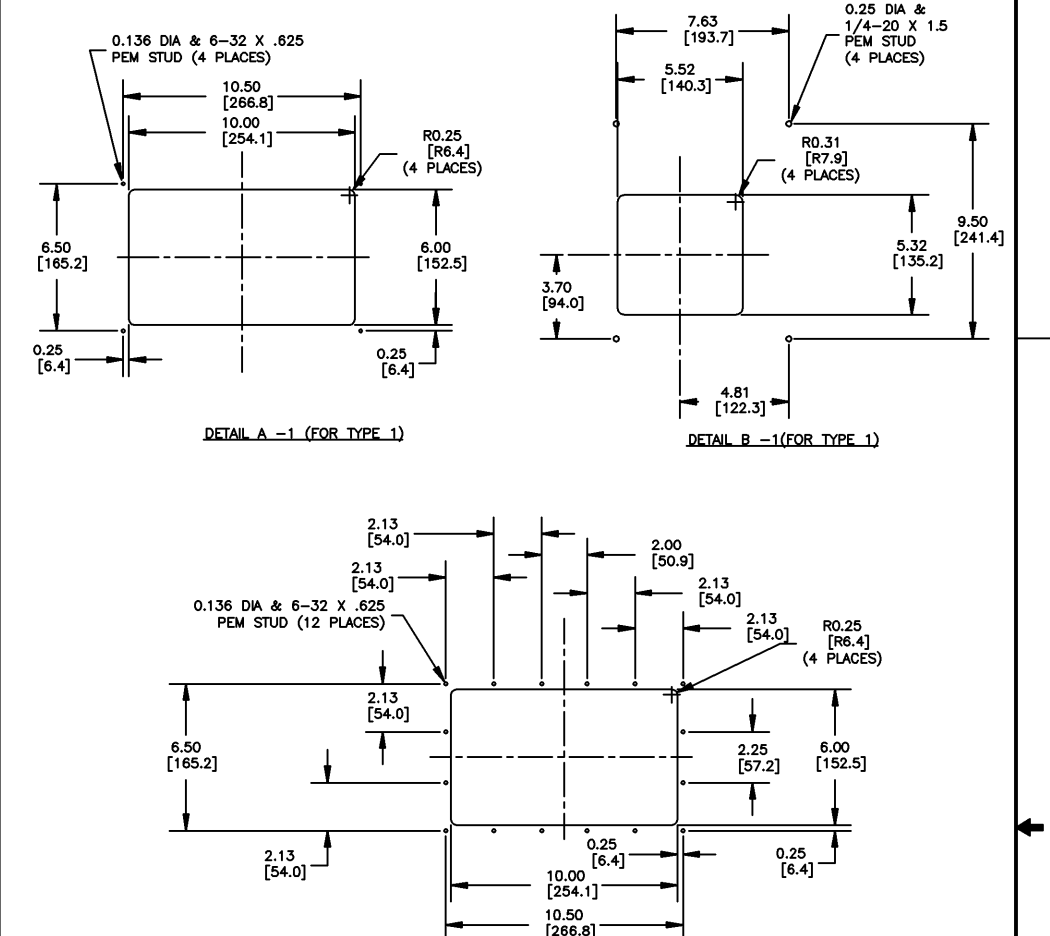
COMPUTER GENERATED DRAWING
SCALE: 1:1 SIZE: DS
DRAWING NO. 725400-001
SHEET NO. D OF 2

OUTLINE FOR ASCO 4000 & 7000 SERIES 2600-3200 AMPERE "G" FRAME (ATS,ACTS,ADTS) REAR CONNECTED TRANSFER SWITCHES OPEN TYPE

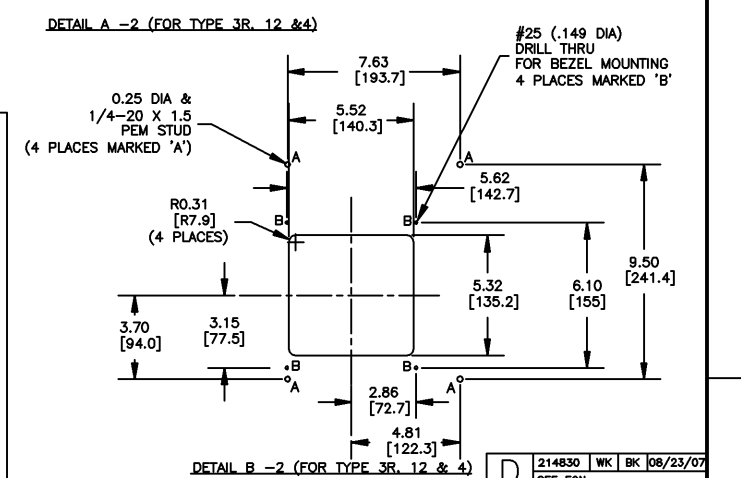
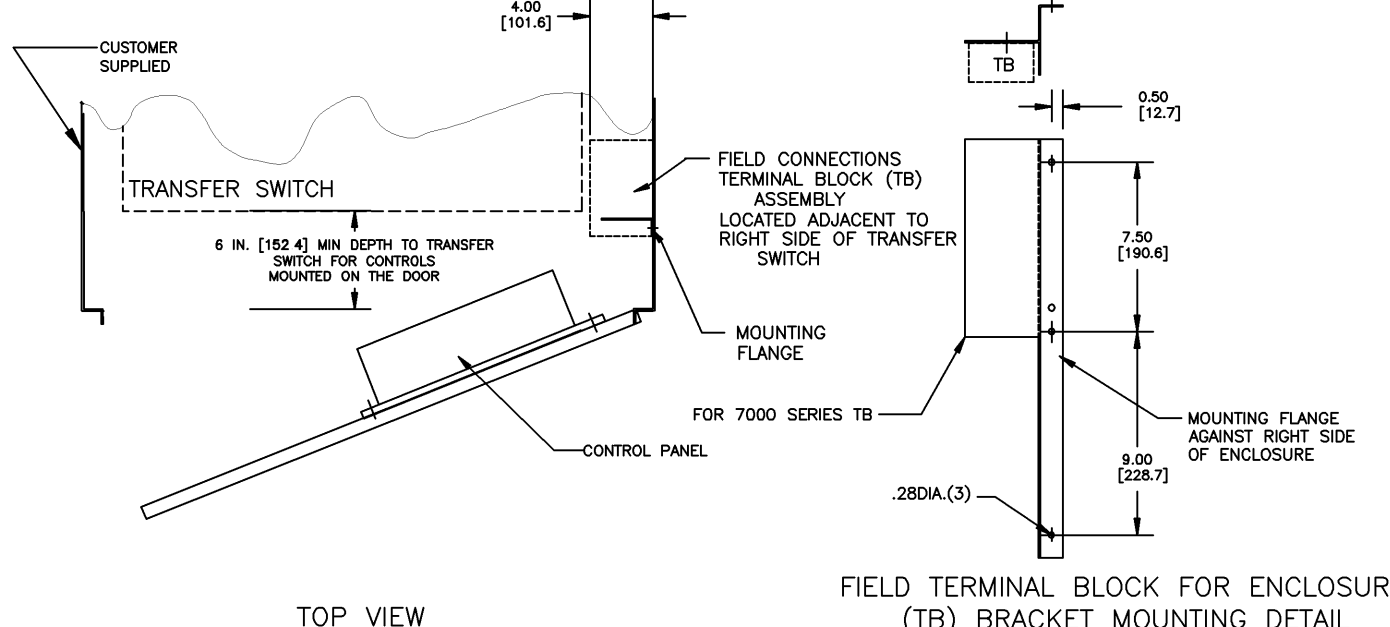
CONTROL PANEL & CONTROLS MOUNTING



CONTROL PANEL & CONTROLS MOUNTING DATA



MOUNTING OF FIELD TERMINAL BLOCK ASSEMBLY (TB) (SEE NOTE 12)



PROJECT NAME:	REV. TO SUBMIT	ECN NO.	BY	APP.	DATE
OUTLINE					
4000/7000 SERIES					
2600-3200 AMPS					
DRAWN BY	DATE	MANUFACTURING TOLERANCES TO BE IN ACCORDANCE WITH ASCO PROCEDURE MP-1-003. FOR PLASTIC PARTS SEE MP-1-005	ASSEM. REF. NO.	COMPUTER GENERATED DRAWING	
CHECKED	11/06/01			SCALE	1:1 SIZE DS
TRIGGER APPROVAL	11/06/01			DWG. NO.	725400-001
FINAL APPROVAL				DRAWING D	REV. 214830 2 OF 2

