

OUTLINE FOR ASCO 4000 & 7000 SERIES 30-230 AMPERE "D" FRAME TRANSFER SWITCHES TYPE 3R/4/4X/12 ENCLOSURE

SERIES	CATALOG PREFIX
4000	4ATS
	4NTS
7000	7ATS
	7NTS

GENERAL NOTES

1. TYPE 3R/4/4X/12 WALL MOUNTED ENCLOSURE.
2. STANDARD FINISH TYPE 3R/4/12: ANSI 61 GRAY
TYPE 4X FINISH UNPAINTED, SMOOTH BRUSHED .
3. SINGLE DOOR, RIGHT SIDE HINGE, LEFT SIDE PADLOCK HASP, PLATED DOOR CLAMPS (LEFT SIDE FOR TYPES 3R & 12; LEFT, TOP & BOTTOM FOR TYPE 4).
4. TERMINALS - SCREW TYPE LUGS FOR EXTERNAL POWER CONNECTIONS.
5. = CENTER OF GRAVITY.
6. THREE POLE SWITCH WITH SOLID NEUTRAL SHOWN FOR REFERENCE.
7. NEUTRAL CONFIGURATIONS:

AN OPTIONAL FULL RATED NEUTRAL CONFIGURATION FOR EACH SOURCE AND THE LOAD MAY BE PROVIDED. WHEN EQUIPPED IT IS IN ONE OF THE FOLLOWING FORMATS AS SPECIFIED BY THE CATALOG NUMBER NO. NEUTRAL TYPE:

- (A) SOLID (COPPER BUS) NEUTRAL
- (B) SWITCHED NEUTRAL POLE
- (C) OVERLAPPING NEUTRAL POLE

SWITCH RATING (AMPS)	RANGE OF WIRE
30-150	(1) #14 TO 4/0 AWG AL-CU WIRE
200-230	(1) #14 TO 4/0 AWG COPPER WIRE

APPROXIMATE SHIPPING WEIGHT, LBS (KG)

AMP SIZE	POLES	WEIGHT
30-230	2	84 (38)
	B2	87 (40)
	C2	87 (40)
	3	87 (40)
	B3	90 (41)
	C3	90 (41)

D

C

B

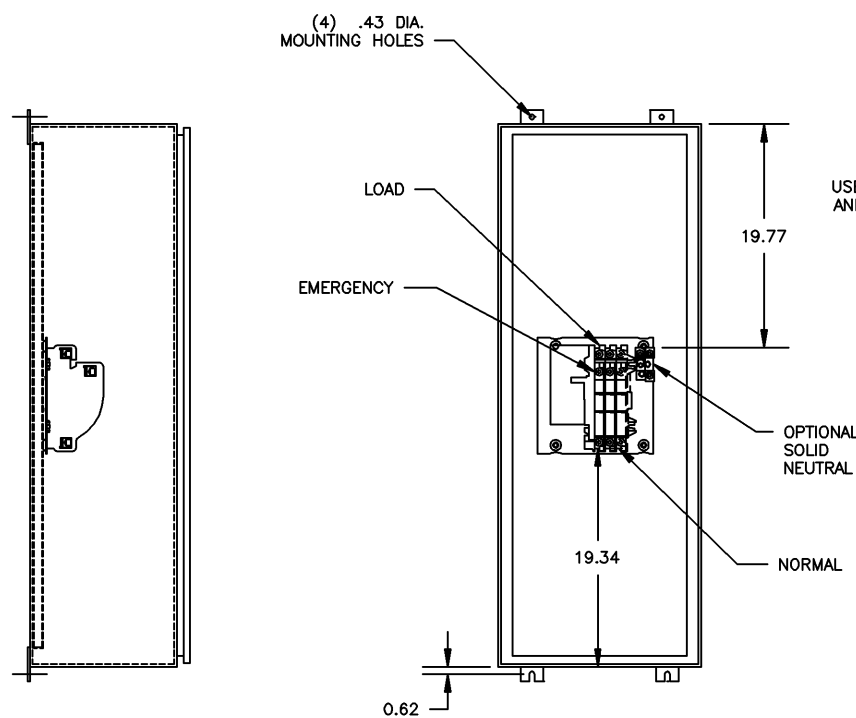
A

D

C

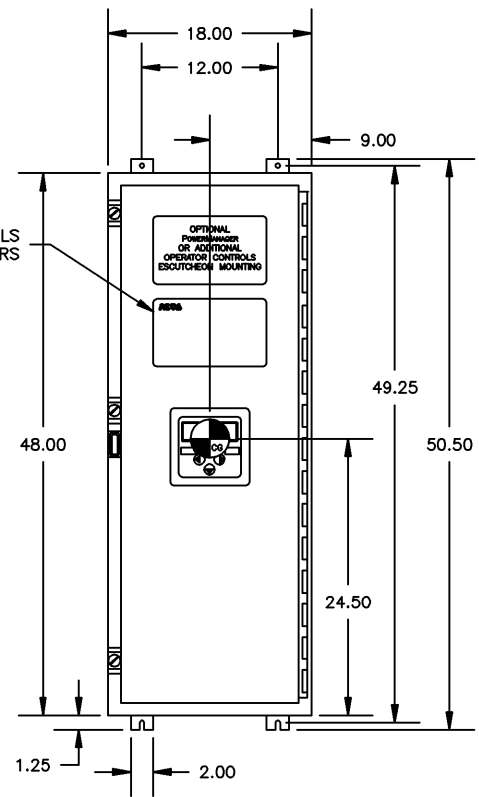
B

A

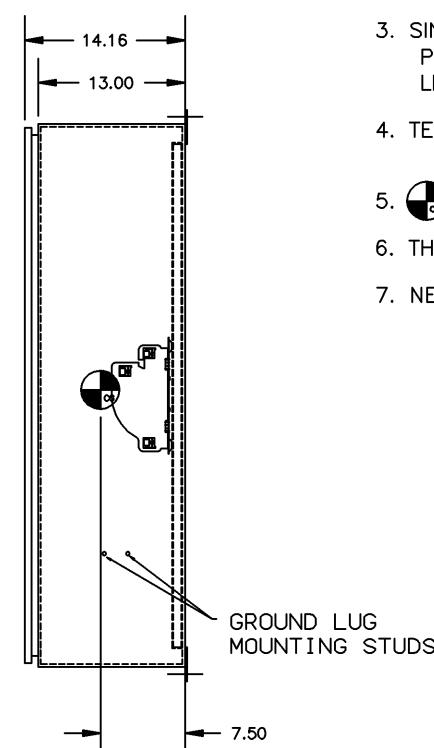


LEFT SIDE

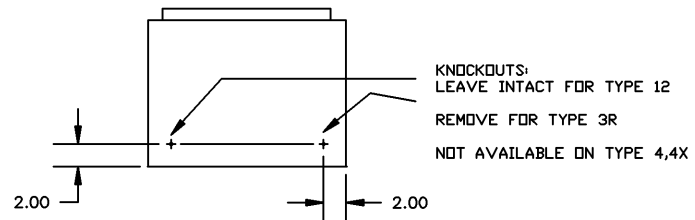
FRONT VIEW
WITHOUT DOOR



FRONT VIEW
WITH DOOR



RIGHT SIDE



BOTTOM VIEW

KNOCKOUTS:
 LEAVE INTACT FOR TYPE 12
 REMOVE FOR TYPE 3R
 NOT AVAILABLE ON TYPE 4,4X

PROJECT NAME: OUTLINE 4000/7000 SERIES		<input type="checkbox"/> THIRD ANGLE <input type="checkbox"/> PROJECTION	
BY: BK DATE: 9/02	MANUFACTURING TOLERANCES TO BE IN ACCORDANCE WITH ASCO PROCEDURE MP-1-003. FOR PLASTIC PARTS SEE MP-1-055.	ASSEMBLY REF. NO.	COMPUTER GENERATED DRAWING
CHECKED BY: WK DATE: 9/02	PROPERTY OF ASCO POWER TECHNOLOGIES. USE PERMITTED FOR OUR WORK ONLY. ALL RIGHTS OF DESIGN OR INVENTION ARE RESERVED.	SCALE: 1:1	FILE: ACAD
FINAL APPROVAL: WK DATE: 9/02	ASCO ASCO POWER TECHNOLOGIES, LP. FLORHAM PARK, NEW JERSEY 07932 U.S.A.	SIZE: DSC DS719687-002	SHEET: 1 OF: 1

C	204927	AJM	WK	07/01/05
SEE ECN				
B	165016	BWM	BK	10/03
ADD 230A				
A	161823	BWM	BK	9/02
ADD TYPE 4X				
-	161810	BWM	WK	9/02
ISSUE				