

# OUTLINE FOR ASCO® 4000 & 7000 SERIES 1000-2000 AMPERE "G" FRAME (ATS,ACTS,ADTS) REAR CONNECTED TRANSFER SWITCHES TYPE 1 ENCLOSURE

## GENERAL NOTES

- TYPE 1 ENCLOSURE. FREE STANDING. FLOOR MOUNTED. CODE GAUGE FORMED FRAME CONSTRUCTION.
- NEC STANDARD GAUGE PAN TYPE DOOR WITH LOCKABLE HANDLE.
- FINISH: ANSI 61 GRAY, POLYESTER POWDER STANDARD. OTHER ANSI COLORS AVAILABLE CONSULT FACTORY, UL RECOGNIZED.
- CONSTRUCTION IS IN ACCORDANCE WITH APPLICABLE REQUIREMENTS OF UL 1008.
- RECOMMENDED CLEARANCES:  
FRONT: 36 INCHES
- A 20% RATED GROUND BUS IS PROVIDED AT THE REAR OF THE ENCLOSURE.
- UNIT IS DESIGNED FOR COMBINATION TOP AND BOTTOM CABLE ENTRY. THE STANDARD SWITCH CONFIGURATION IS FOR TOP LUGS EMERGENCY CENTER LUGS LOAD AND BOTTOM LUGS NORMAL. OPTIONALLY, THE SWITCH MAY BE SUPPLIED WITH REVERSE NORMAL & EMERGENCY LUGS. (REFER TO THE WIRING DIAGRAM FURNISHED WITH EACH TRANSFER SWITCH TO DETERMINE TERMINATION POSITIONS).
- NEUTRAL CONFIGURATIONS:  
AN OPTIONAL FULL RATED NEUTRAL CONFIGURATION FOR EACH SOURCE AND THE LOAD MAY BE PROVIDED. WHEN EQUIPPED IT IS IN ONE OF THE FOLLOWING FORMATS AS SPECIFIED BY THE CATALOG NUMBER NO. NEUTRAL TYPE:  
(A) SOLID (COPPER BUS) NEUTRAL  
(B) SWITCHED NEUTRAL POLE  
(C) OVERLAPPING NEUTRAL POLE (NOT AVAILABLE ON ACTS/ADTS UNITS)
- NO KNOCKOUTS ARE PROVIDED.

| SERIES | CATALOG PREFIX |
|--------|----------------|
| 4000   | 4ATS           |
|        | 4NTS           |
|        | 4ACTS          |
|        | 4NCTS          |
|        | 4ADTS          |
| 7000   | 7ATS           |
|        | 7NTS           |
|        | 7ACTS          |
|        | 7NCTS          |
|        | 7ADTS          |
|        | 7NDTS          |

## CABLING NOTES

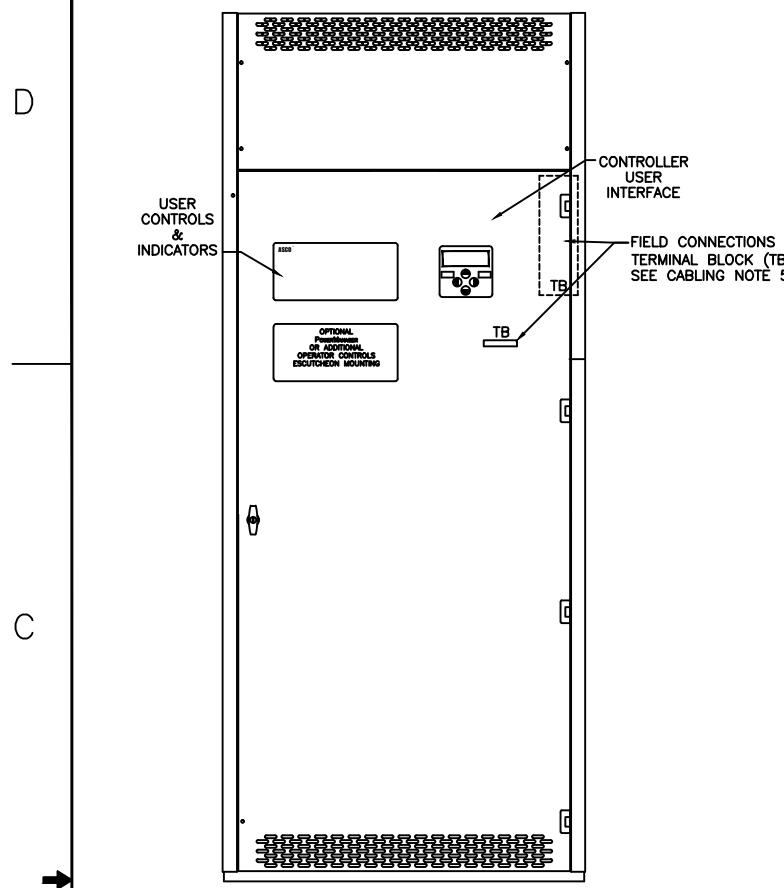
- ALL SIZES SUPPLIED STANDARD WITH MECHANICAL (SCREW TYPE) LUGS. (SEE AMP SIZE BELOW)
  - A. LUG MATERIAL: ALUMINUM ALLOY 6061-T6 WITH ELECTRO TIN PLATED FINISH.
  - B. SCREW MATERIAL: ALUMINUM ALLOY 6262-T9 WITH ELECTRO TIN PLATED FINISH.
  - C. UL LISTED, CSA CERTIFIED.
  - D. LUG SCREW TIGHTENING TORQUE PER UL 486B: 375 IN.-LBS.
  - E. SUITABLE WIRE BENDING SPACE IS PROVIDED. (SEE AMP SIZE BELOW)
- OPTIONAL COPPER CRIMP LUGS MAY BE SUPPLIED. (SEE AMP SIZE BELOW)
  - A. LUG MATERIAL: HIGH CONDUCTIVITY WROUGHT COPPER FINISH, ELECTRO TIN PLATED.
  - B. UL LISTED, CSA CERTIFIED.
  - C. LUG MOUNTING HARDWARE TIGHTENING TORQUE: (REFER TO WITHSTAND CURRENT RATING LABEL PROVIDED ON EACH TRANSFER SWITCH).
  - D. SUITABLE WIRE BENDING SPACE IS PROVIDED. (SEE AMP SIZE BELOW)
- CONSULT FACTORY FOR OTHER TERMINATION REQUIREMENTS.
- CUSTOMER TERMINAL BLOCKS:
  - A. FOR ALL 7000 SERIES UNITS THE TB WILL BE MOUNTED ON THE UPPER RIGHT INSIDE OF ENCLOSURE. FOR 4000 SERIES UNITS TB WILL BE MOUNTED ON THE TRANSFER SWITCH FRAME AS INDICATED.

## NOTES 1000-1200 AMPS

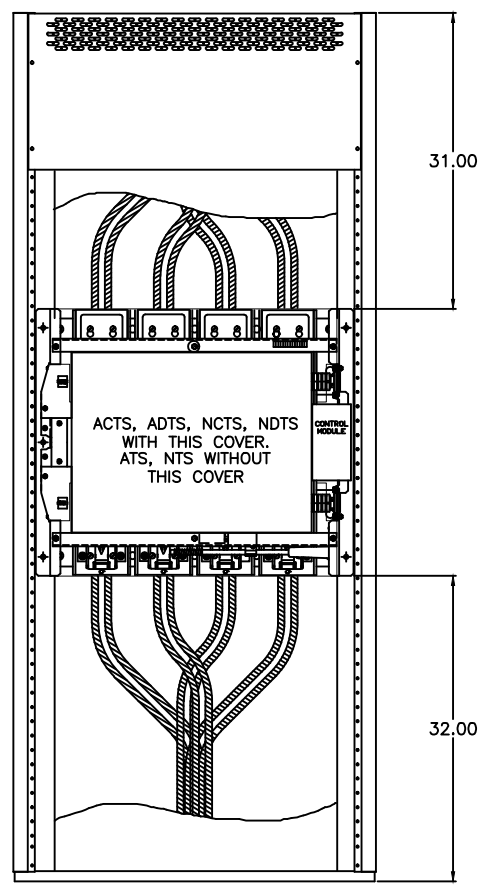
- SUPPLIED WITH STANDARD MECHANICAL (SCREW TYPE) LUGS ON THE NORMAL, EMERGENCY & LOAD BUS STABS. ONE (1) LUG PER PHASE AND NEUTRAL EACH SUITABLE FOR CONNECTION OF FOUR (4) 1/0 - 750MCM CU/AL CABLE (SEE NOTE "E" BELOW).
  - A. SUITABLE WIRE BENDING SPACE IS PROVIDED FOR UP TO FOUR (4) 600MCM CABLES PER TERMINAL PER NEC.
- OPTIONAL COPPER CRIMP LUGS MAY BE SUPPLIED. UP TO FOUR (4) TWO HOLE, LONG BARREL CU CRIMP LUGS RATED FOR UP TO 600MCM. (REFER TO CRIMP LUG INSTALLATION DATA PROVIDED WITH UNIT FOR FULL INSTALLATION DETAILS).
  - A. SUITABLE WIRE BENDING SPACE IS PROVIDED FOR UP TO FOUR (4) 600MCM CABLES PER TERMINAL PER NEC.
- GROUND LUGS ARE PROVIDED STANDARD AS FOLLOWS:
  - (12) 1/0 - 750MCM CU/AL CABLE

## NOTES 1600-2000 AMPS

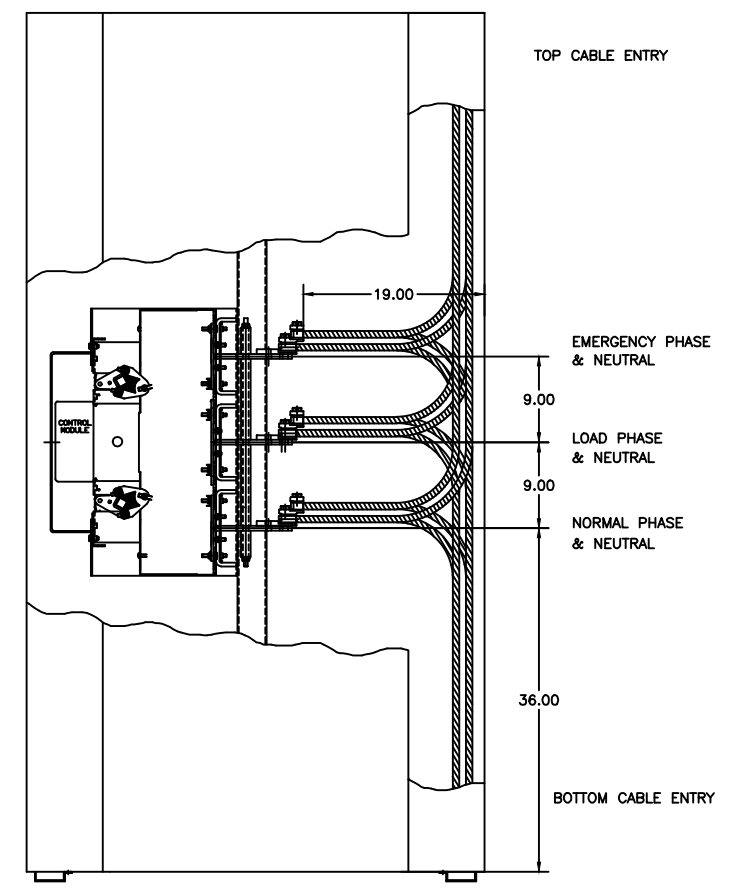
- SUPPLIED WITH STANDARD MECHANICAL (SCREW TYPE) LUGS ON THE NORMAL, EMERGENCY & LOAD BUS STABS. ONE (1) LUG PER PHASE AND NEUTRAL EACH SUITABLE FOR CONNECTION OF SIX (6) 1/0 - 750MCM CU/AL CABLE (SEE NOTE "E" BELOW).
  - A. SUITABLE WIRE BENDING SPACE IS PROVIDED FOR UP TO SIX (6) 600MCM CABLES PER TERMINAL PER NEC.
- OPTIONAL COPPER CRIMP LUGS MAY BE SUPPLIED. UP TO SIX (6) TWO HOLE, LONG BARREL CU CRIMP LUGS RATED FOR UP TO 600MCM. (REFER TO CRIMP LUG INSTALLATION DATA PROVIDED WITH UNIT FOR FULL INSTALLATION DETAILS).
  - A. SUITABLE WIRE BENDING SPACE IS PROVIDED FOR UP TO SIX (6) 600MCM CABLES PER TERMINAL PER NEC.
- GROUND LUGS ARE PROVIDED STANDARD AS FOLLOWS:
  - (18) 1/0 - 750MCM CU/AL CABLE



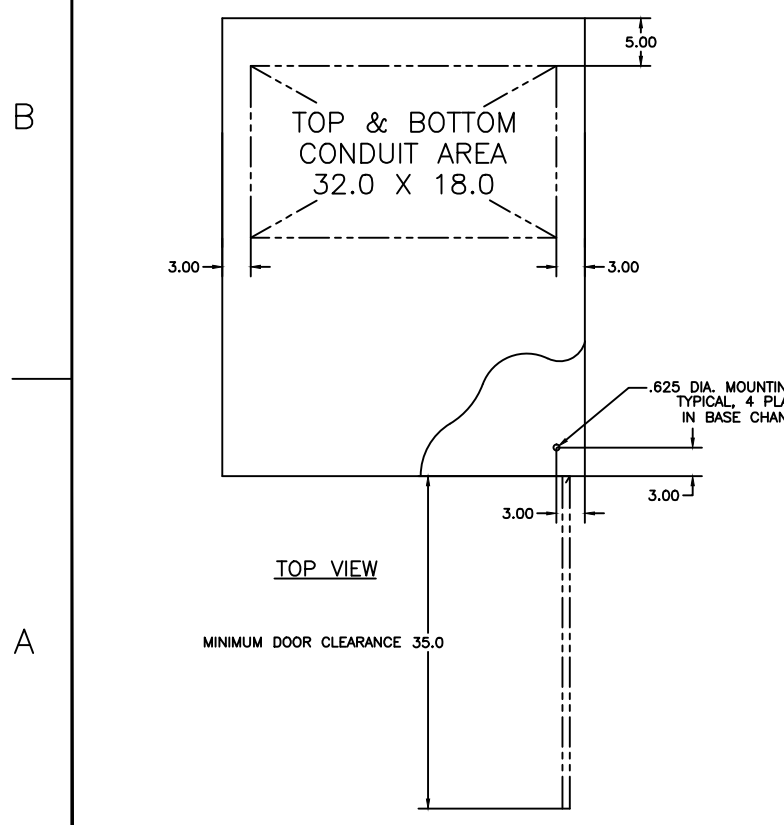
FRONT VIEW



FRONT VIEW WITH DOOR REMOVED

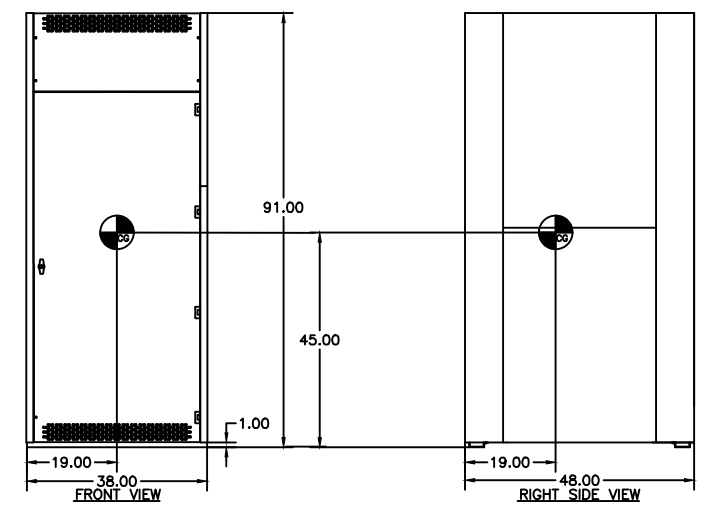


RIGHT SIDE VIEW



TOP VIEW

| APPROXIMATE SHIPPING WEIGHT, LBS (KG) |       |            |
|---------------------------------------|-------|------------|
| AMP SIZE                              | POLES | WEIGHT     |
| 1600 TO 2000                          | 2     | 1300 (590) |
|                                       | B2    | 1350 (612) |
|                                       | C2    | 1350 (612) |
|                                       | 3     | 1350 (612) |
|                                       | B3    | 1400 (635) |
|                                       | C3    | 1400 (635) |



FRONT VIEW

RIGHT SIDE VIEW

|   |         |     |     |          |
|---|---------|-----|-----|----------|
| E | 238859  | TR  | WK  | 09/11/12 |
|   | SEE ECN |     |     |          |
| D | 222765  | KH  | WK  | 05/06/09 |
|   | SEE ECN |     |     |          |
| C | 213409  | TR  | WK  | 5/17/07  |
|   | SEE ECN |     |     |          |
| B | 205190  | AJM | WK  | 07/19/05 |
|   | SEE ECN |     |     |          |
| A | 155103  | WK  |     | 7/17/00  |
|   | SEE ECN |     |     |          |
| - | 146939  | YZ  | SDH | 1/98     |
|   | ISSUED  |     |     |          |

|  |      |  |   |                            |
|--|------|--|---|----------------------------|
| PROJECT NAME:  |      |  |   |                            |
| OUTLINE  |      |  |   |                            |
| 4000/7000 SERIES   |      |  |   |                            |
| BY   | DATE | MANUFACTURING TOLERANCES TO BE IN ACCORDANCE WITH ASCO PROCEDURE MP-1-003. FOR PLASTIC PARTS SEE MP-1-005. | ASSEM. REF. NO.   | COMPUTER GENERATED DRAWING |
| SDH  | 1/98 |  |   | SCALE NONE SIZE DS         |
| CHECKED  | SDH  | 1/98   | PROPERTY OF ASCO POWER TECHNOLOGIES. USE PERMITTED FOR OUR WORK ONLY. ALL RIGHTS OF DESIGN OR INVENTION ARE RESERVED. | DWG. NO. 619587            |
| PROJECT APPROVAL   | SDH  | 1/98   |   | ISSUED                     |
| FINAL APPROVAL   | SDH  | 1/98   |   | REV. E                     |
| ASCO® ASCO POWER TECHNOLOGIES, L.P. FLORENNA PARK, NEW JERSEY 07932 U.S.A. |      |  | ECN NO. 238859  | SHEET 1 OF 1               |