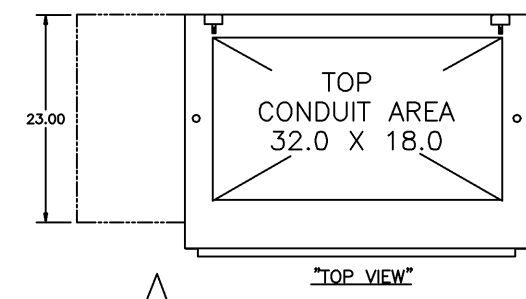


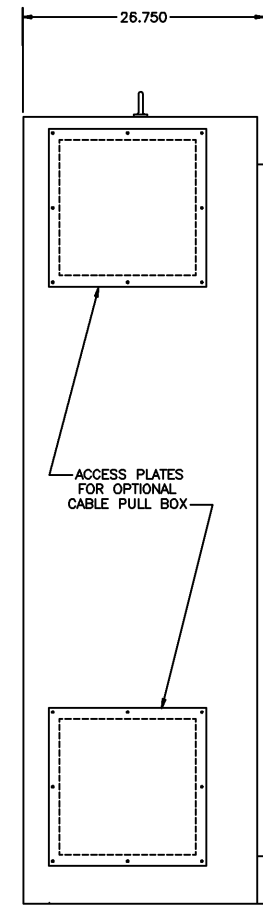
OUTLINE & MOUNTING FOR **ASCO** 7000 SERIES FRONT CONNECTED AUTOMATIC TRANSFER SWITCH TYPE 7ATS RATED 1000-1600 AMPERES WITH ACC. 35

D



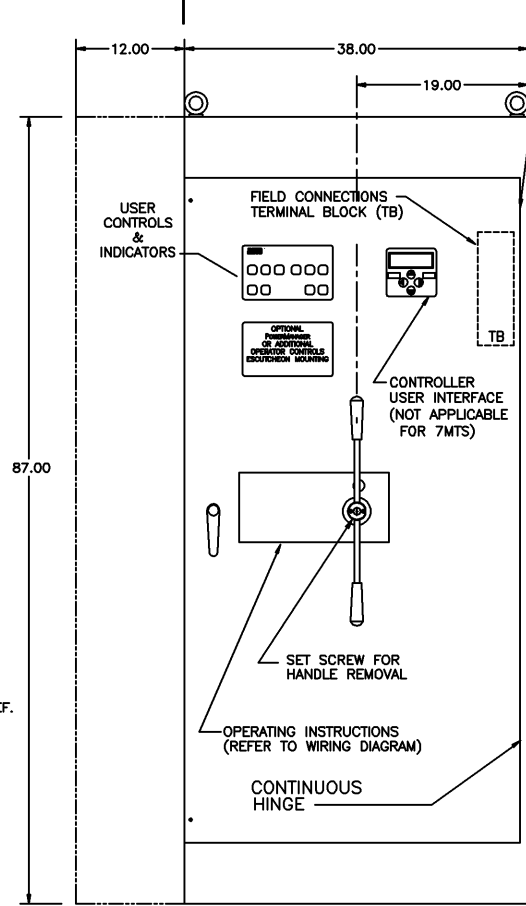
"TOP VIEW"

C



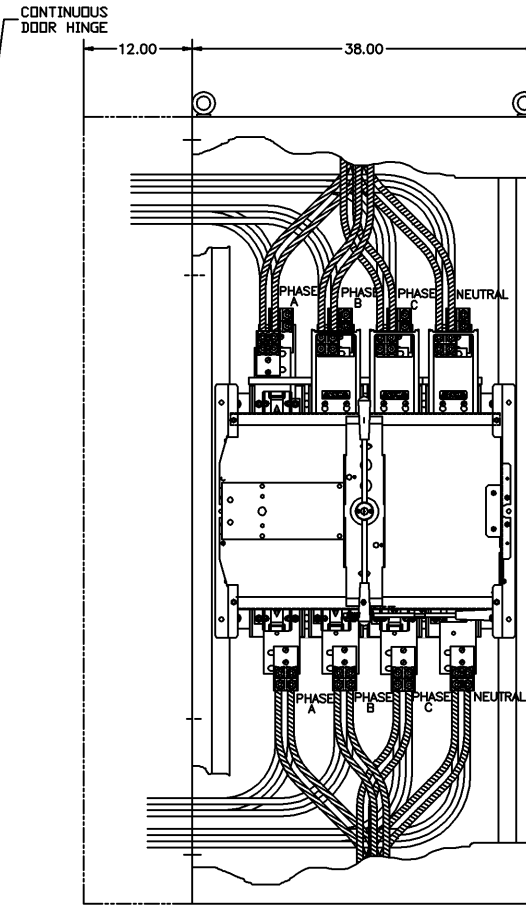
"LEFT SIDE VIEW"  
"SECTION A-A"

B

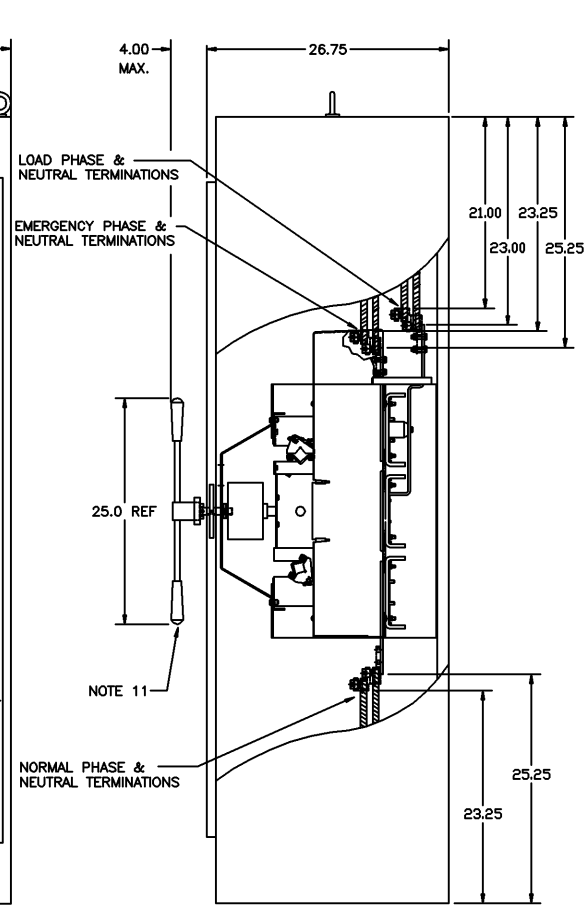


"FRONT VIEW"

PULL BOX OPTIONAL

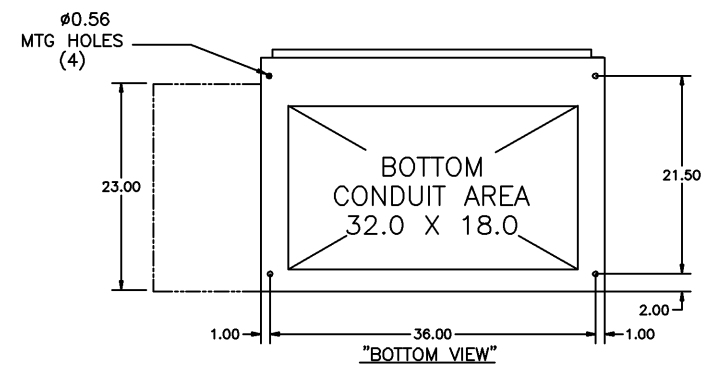


"FRONT VIEW"  
WITH DOOR REMOVED

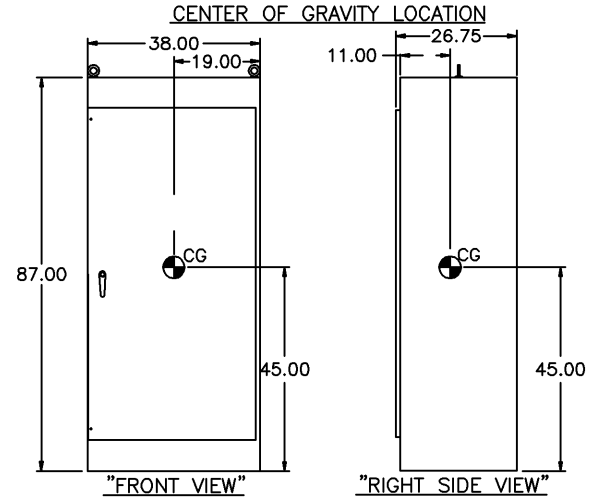


"RIGHT SIDE VIEW"

A



"BOTTOM VIEW"



CENTER OF GRAVITY LOCATION

GENERAL NOTES

- TYPE 1 ENCLOSURE. FREE STANDING. FLOOR MOUNTED. 12 GAUGE FORMED FRAME CONSTRUCTION.
- NEC STANDARD GAUGE PAN TYPE DOOR WITH LOCKABLE HANDLE. (HINGE ON LEFT SIDE OPTIONAL) (HINGE ON RIGHT SIDE) STANDARD.
- FINISH: ASA 61 GRAY, POLYESTER POWDER (STANDARD). UL RECOGNIZED.  
\* SPECIAL PAINT FINISHES SUPPLIED PER CUSTOMER REQUEST.
- CONSTRUCTION IS IN ACCORDANCE WITH APPLICABLE REQUIREMENTS OF UL 891.
- RECOMMENDED CLEARANCES: FRONT: 36 INCHES
- A 20% RATED GROUND BUS IS PROVIDED AT THE REAR OF THE ENCLOSURE.
- UNIT IS DESIGNED FOR COMBINATION TOP AND BOTTOM CABLE ENTRY.
- THE STANDARD SWITCH CONFIGURATION IS FOR TOP EMERGENCY & LOAD AND BOTTOM NORMAL. OPTIONALLY, THE SWITCH MAY BE SUPPLIED WITH REVERSE SOURCES AND/OR BOTTOM LOAD. (REFER TO THE WIRING DIAGRAM FURNISHED WITH EACH TRANSFER SWITCH TO DETERMINE TERMINATION POSITIONS).
- A FULL RATED NEUTRAL CONNECTION FOR EACH SOURCE AND THE LOAD IS OPTIONAL. WHEN PROVIDED IT IS IN ONE OF THE FOLLOWING FORMATS AS SPECIFIED BY THE CATALOG NO. NEUTRAL TYPE;
  - SOLID (COPPER BUS) NEUTRAL
  - SWITCHED NEUTRAL POLE
- NO KNOCKOUTS ARE PROVIDED.
- PULL BOX AVAILABLE FOR TOP AND BOTTOM CABLE ACCESS WHEN REQUIRED (OPTIONAL)
- SHIPPED WITH ACC. 35 QUICK MAKE - QUICK BREAK HANDLE ATTACHED

CABLING NOTES

- ALL SIZES SUPPLIED STANDARD WITH MECHANICAL (SCREW TYPE) LUGS. (SEE AMP SIZE BELOW)
  - LUG MATERIAL: ALUMINUM ALLOY 6061-T6 WITH ELECTRO TIN PLATED FINISH.
  - SCREW MATERIAL: ALUMINUM ALLOY 6262-T9 WITH ELECTRO TIN PLATED FINISH.
  - UL LISTED, CSA CERTIFIED.
  - LUG SCREW TIGHTENING TORQUE PER UL 486B: 19 FT-LBS.
  - SUITABLE WIRE BENDING SPACE IS PROVIDED. (SEE AMP SIZE BELOW)
- OPTIONAL COPPER CRIMP LUGS MAY BE SUPPLIED. (SEE AMP SIZE BELOW)
  - LUG MATERIAL: HIGH CONDUCTIVITY WROUGHT COPPER FINISH, ELECTRO TIN PLATED.
  - UL LISTED, CSA CERTIFIED.
  - LUG MOUNTING HARDWARE TIGHTENING TORQUE: (REFER TO WITHSTAND CURRENT RATING LABEL PROVIDED ON EACH TRANSFER SWITCH).
  - SUITABLE WIRE BENDING SPACE IS PROVIDED. (SEE AMP SIZE BELOW)
- CONSULT FACTORY FOR OTHER TERMINATION REQUIREMENTS.
- GROUND LUGS ARE PROVIDED STANDARD AS FOLLOWS. (SEE AMP SIZE BELOW)

NOTES 1000-1200 AMPS

- SUPPLIED WITH STANDARD MECHANICAL (SCREW TYPE) LUGS ON THE NORMAL, EMERGENCY & LOAD BUS STABS. ONE (1) LUG PER PHASE AND NEUTRAL EACH SUITABLE FOR CONNECTION OF FOUR (4) 1/0 - 750MCM CU/AL CABLE (SEE NOTE "E" BELOW).
  - SUITABLE WIRE BENDING SPACE IS PROVIDED FOR UP TO FOUR (4) 600MCM CABLES PER TERMINAL PER NEC.
- OPTIONAL COPPER CRIMP LUGS MAY BE SUPPLIED. UP TO FOUR (4) TWO HOLE, LONG BARREL CU CRIMP LUGS RATED FOR UP TO 600MCM. (REFER TO CRIMP LUG INSTALLATION DATA PROVIDED WITH UNIT FOR FULL INSTALLATION DETAILS).
  - SUITABLE WIRE BENDING SPACE IS PROVIDED FOR UP TO FOUR (4) 600MCM CABLES PER TERMINAL PER NEC.
- GROUND LUGS ARE PROVIDED STANDARD AS FOLLOWS; (12) 1/0 - 750MCM CU/AL CABLE

NOTES 1600 AMPS

- SUPPLIED WITH STANDARD MECHANICAL (SCREW TYPE) LUGS ON THE NORMAL, EMERGENCY & LOAD BUS STABS. ONE (1) LUG PER PHASE AND NEUTRAL EACH SUITABLE FOR CONNECTION OF SIX (6) 1/0 - 750MCM CU/AL CABLE (SEE NOTE "E" BELOW).
  - SUITABLE WIRE BENDING SPACE IS PROVIDED FOR UP TO SIX (6) 750MCM CABLES PER TERMINAL PER NEC.
- OPTIONAL COPPER CRIMP LUGS MAY BE SUPPLIED. UP TO SIX (6) TWO HOLE, LONG BARREL CU CRIMP LUGS RATED FOR UP TO 600MCM. (REFER TO CRIMP LUG INSTALLATION DATA PROVIDED WITH UNIT FOR FULL INSTALLATION DETAILS).
  - SUITABLE WIRE BENDING SPACE IS PROVIDED FOR UP TO SIX (6) 600MCM CABLES PER TERMINAL PER NEC.
- GROUND LUGS ARE PROVIDED STANDARD AS FOLLOWS; (12) 1/0 - 750MCM CU/AL CABLE

C	210708	MR	BK	11/03/06
	SEE ECH			
B	158208	TR	WK	7/30/01
	SEE ECH			
D	232612	TR	BK	6/24/11
	SEE ECH			
	146438	JPB	JPB	11/97
	ISSUE			

PROJECT NAME:		REV. TO SUBST		ECH NO.		BY APP.		DATE	
OUTLINE & MOUNTING									
7000 SERIES (7ATS)									
1000-1600 AMPERES (T/C)									
BY	DATE	MANUFACTURING TOLERANCES TO BE IN ACCORDANCE WITH ASCO PROCEDURE MP-1-003. FOR PLASTIC PARTS SEE MP-1-005				ASSEMB. REF. NO.		COMPUTER GENERATED DRAWING	
DRAWN BY	JPB	11/97							SCALE
CHECKED			PROPERTY OF ASCO POWER TECHNOLOGIES. USE PERMITTED FOR OUR WORK ONLY. ALL RIGHTS OF DESIGN OR INVENTION ARE RESERVED.						SIZE DS
APPROVED									DWG. NO.
FINAL APPROVAL	JPB	11/97							619413-001
								ASCO POWER TECHNOLOGIES, LP.	
								FLOORHAM PARK, NEW JERSEY 07832 U.S.A.	
								DRAWING D ECH 232612 SHEET OF	