

COMPOSITE OUTLINE FOR ASCO® G7ACTB, G7ADTB, G7ATB, OPEN TYPE 1000-3000 AMPERE AUTOMATIC TRANSFER & BYPASS-ISOLATION SWITCHES

GENERAL NOTES

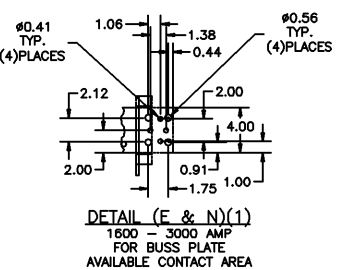
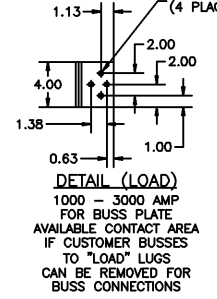
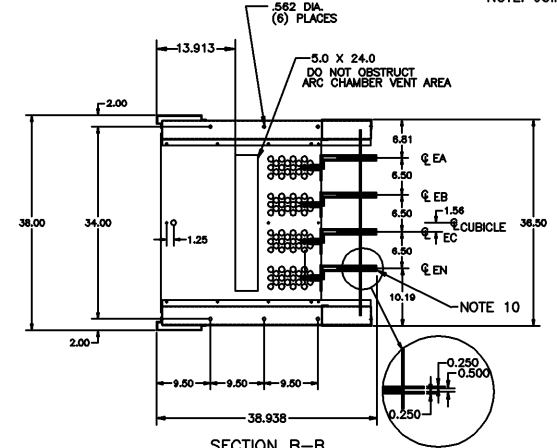
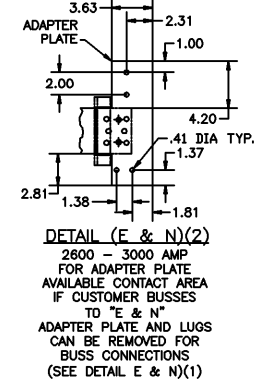
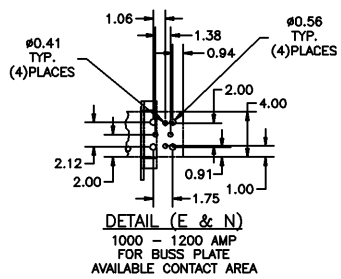
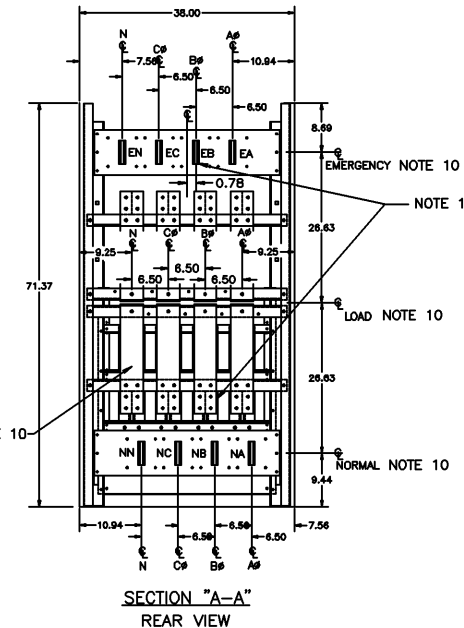
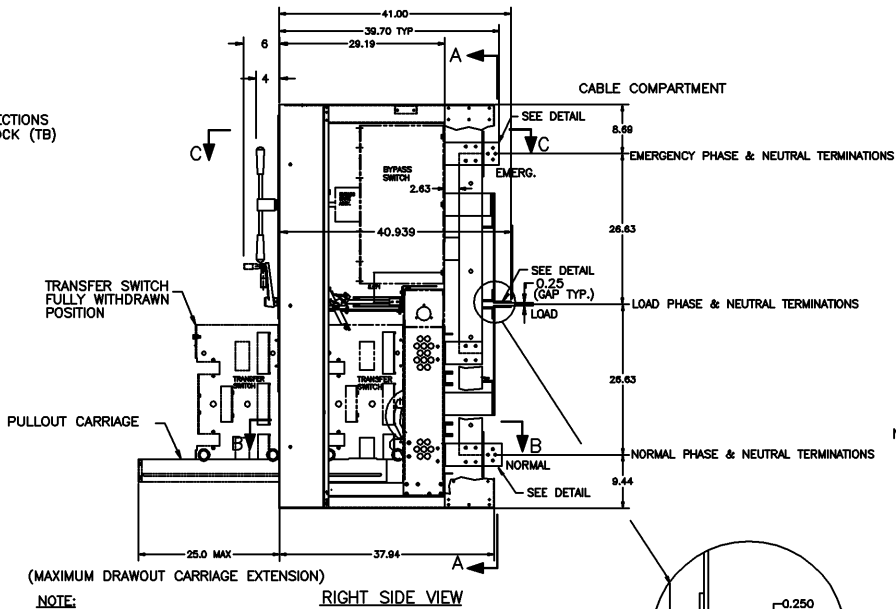
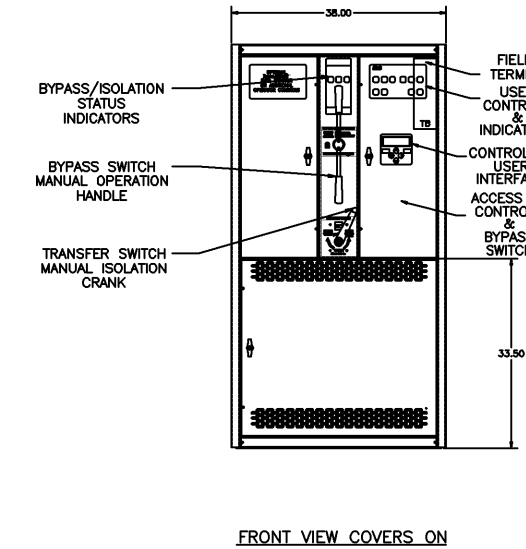
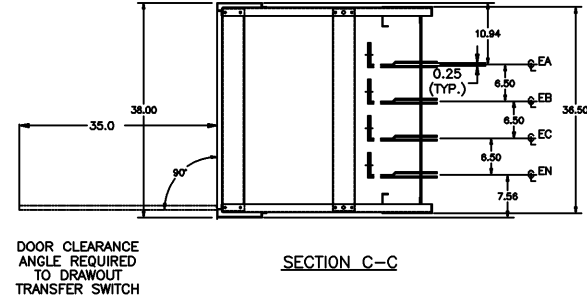
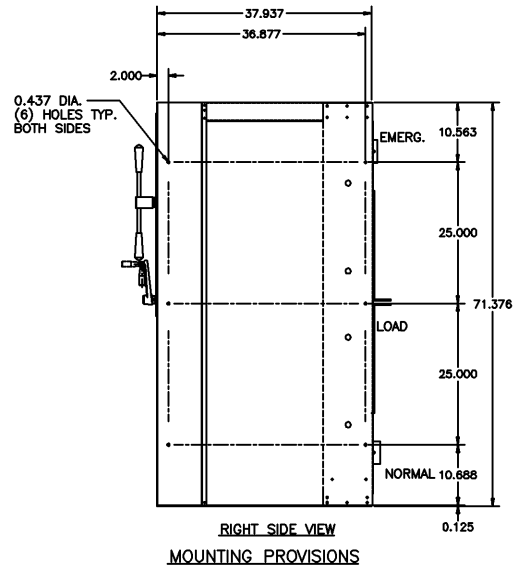
- FOR TWO POLE SWITCHES OMIT CENTER POLE.
- WHEN INSTALLING, CONNECT, NORMAL, EMERGENCY, AND LOAD CONDUCTORS TO CLEARLY MARKED TERMINALS.
- ALL INTERNAL CONNECTIONS ARE MADE AT FACTORY.
- MAINTAIN ELECTRICAL CLEARANCE OF 1" (25.4) MINIMUM BETWEEN LIVE METAL PARTS AND GROUNDED METAL WHEN MOUNTED.
- OPERATOR'S MANUAL IS FURNISHED WITH EACH BYPASS ISOLATION & TRANSFER SWITCH. REFER TO THIS PUBLICATION PRIOR TO INSTALLATION AND OPERATION OF SWITCH.
- RECOMMENDED CLEARANCES: (FROM FINISHED ENCLOSURE)
  - FRONT: 48.00" (1220,0 mm)
  - REAR: 36.00" (914,0 mm)
- MINIMUM COMPARTMENT VOLUME FOR 1000-2000 AMPS TO BE NO LESS THAN 205,200 CU. IN. (3,362,626 CU. CM).  
MINIMUM COMPARTMENT VOLUME FOR 2600-3000 AMPS TO BE NO LESS THAN 246,200 CU. IN. (4,034,495 CU. CM).  
MINIMUM HEIGHT FOR 1000-3000 TO BE NO LESS THAN 90" (2286 mm).
- REQUIRED VENTILATION FOR 1000-2000 AMPS ENCLOSURE IS AS FOLLOWS:  
90" H x 38" W x 60" D (2286 mm H x 965 mm W x 1524 mm D) ENCLOSURE  
FRONT, ABOVE TRANSFER SWITCH 24 IN<sup>2</sup> (154 cm<sup>2</sup>).  
REAR, TOTAL AREA 94 IN<sup>2</sup> (606 cm<sup>2</sup>).  
TRANSFER SWITCH DOOR VENTILATION IS 76.8 IN<sup>2</sup> (495 cm<sup>2</sup>).  
  
REQUIRED VENTILATION FOR 2600-3000 AMPS ENCLOSURE IS AS FOLLOWS:  
90" H x 38" W x 72" D (2286 mm H x 965 mm W x 1829 mm D) ENCLOSURE  
FRONT, ABOVE TRANSFER SWITCH 24 IN<sup>2</sup> (154 cm<sup>2</sup>).  
REAR, TOTAL AREA 288 IN<sup>2</sup> (1858 cm<sup>2</sup>).  
TRANSFER SWITCH DOOR VENTILATION IS 76.8 IN<sup>2</sup> (495 cm<sup>2</sup>).
- A FULL RATED NEUTRAL CONNECTION FOR EACH SOURCE AND THE LOAD IS OPTIONAL. WHEN PROVIDED IT IS IN ONE OF THE FOLLOWING FORMATS AS SPECIFIED BY THE CATALOG NO. NEUTRAL TYPE:  
TYPE A: SOLID NEUTRAL BUS  
TYPE B: SWITCHED NEUTRAL POLE  
TYPE C: OVERLAPPING NEUTRAL POLE (NOT AVAILABLE ON 7ADTB UNITS)
- TYPICAL STANDARD TERMINAL MARKINGS, (UNLESS NORMAL & EMERGENCY ARE ORDERED REVERSED).
- ALL CONTROLS ARE MOUNTED & PRE-WIRED. IF ADDITIONAL, ORDERED CONTROL ACCESSORIES CANNOT BE HOUSED IN FRAME, LOOSE CONTROL PANELS WILL BE PROVIDED.
- THE STANDARD SWITCH CONFIGURATION IS FOR TOP EMERGENCY & LOAD AND BOTTOM NORMAL. OPTIONALLY, THE SWITCH MAY BE SUPPLIED WITH REVERSE SOURCES AND /OR BOTTOM LOAD. (REFER TO THE WIRING DIAGRAM FURNISHED WITH EACH TRANSFER SWITCH TO DETERMINE TERMINATION POSITIONS).

NOTES 1000-2000 AMPS

- ALL SIZES SUPPLIED STANDARD WITH MECHANICAL (SCREW TYPE) LUGS ON THE NORMAL, EMERGENCY & LOAD BUS STABS. ONE (1) LUG PER PHASE AND NEUTRAL EACH SUITABLE FOR CONNECTION OF FOUR (4) 1/0-750 MCM CU/AL CABLE FOR 1000-1200 AMP SWITCH. (SEE NOTE "E" BELOW). SIX (6) 1/0-750 MCM CU/AL CABLE FOR 1600-2000 AMP SWITCH (SEE NOTE "E" BELOW).
  - A. LUG MATERIAL: ALUMINUM ALLOY 6061-T6 WITH ELECTRO TIN PLATED FINISH.
  - B. SCREW MATERIAL: ALUMINUM ALLOY 6262-T9 WITH ELECTRO TIN PLATED FINISH.
  - C. UL LISTED, CSA CERTIFIED.
  - D. LUG SCREW TIGHTENING TORQUE PER UL 486B: 19 FT.-LBS.
  - E. SUITABLE WIRE BENDING SPACE IS PROVIDED FOR UP TO FOUR (4) 600MCM CABLES PER TERMINAL FOR THE 1000-1200 AMP SWITCH & (6) 600 MCM CABLES PER TERMINAL FOR THE 1600-2000 AMP SWITCH PER NEC.
- OPTIONAL COPPER CRIMP LUGS MAY BE SUPPLIED. UP TO FOUR (4) TWO HOLE, LONG BARREL CU CRIMP LUGS RATED FOR UP TO 600MCM. (REFER TO CRIMP LUG INSTALLATION DATA PROVIDED WITH UNIT FOR FULL INSTALLATION DETAILS).
  - A. LUG MATERIAL: HIGH CONDUCTIVITY WROUGHT COPPER FINISH, ELECTRO TIN PLATED.
  - B. UL LISTED, CSA CERTIFIED.
  - C. LUG MOUNTING HARDWARE TIGHTENING TORQUE: (REFER TO WITHSTAND CURRENT RATING LABEL PROVIDED ON EACH TRANSFER SWITCH).
  - D. SUITABLE WIRE BENDING SPACE IS PROVIDED FOR UP TO FOUR (4) 600MCM CABLES PER TERMINAL PER NEC.
- CONSULT FACTORY FOR OTHER TERMINATION REQUIREMENTS.

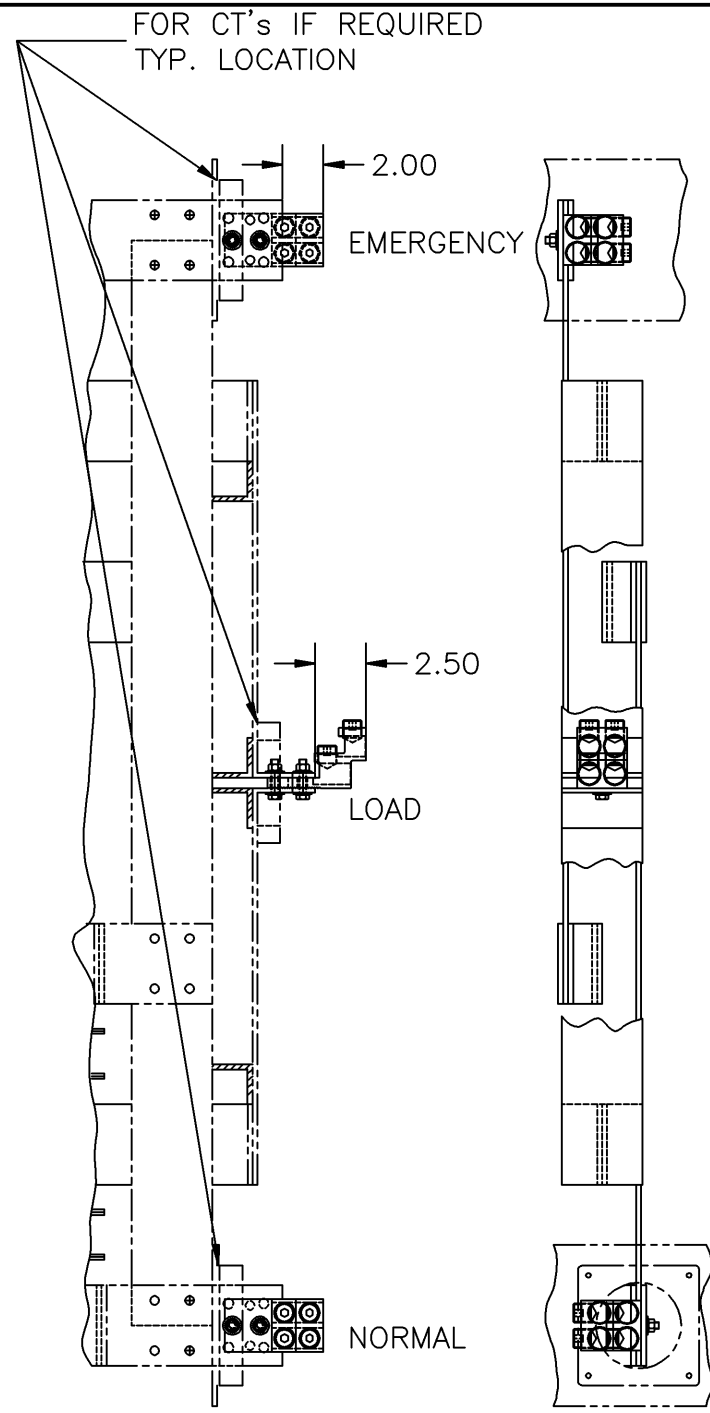
NOTES 2600-3000 AMPS

- ALL SIZES SUPPLIED STANDARD WITH MECHANICAL (SCREW TYPE) LUGS ON THE NORMAL, EMERGENCY & LOAD BUS STABS. TWO (2) LUG PER PHASE AND NEUTRAL EACH SUITABLE FOR CONNECTION OF TEN (10) 1/0-750 MCM CU/AL CABLE FOR 2600-3000 AMP SWITCH. (SEE NOTE "E" BELOW).
  - A. LUG MATERIAL: ALUMINUM ALLOY 6061-T6 WITH ELECTRO TIN PLATED FINISH.
  - B. SCREW MATERIAL: ALUMINUM ALLOY 6262-T9 WITH ELECTRO TIN PLATED FINISH.
  - C. UL LISTED, CSA CERTIFIED.
  - D. LUG SCREW TIGHTENING TORQUE PER UL 486B: 19 FT.-LBS.
  - E. SUITABLE WIRE BENDING SPACE IS PROVIDED FOR UP TO TEN (10) 600MCM CABLES PER TERMINAL FOR THE 2600-3000 AMP SWITCH PER NEC.
- OPTIONAL COPPER CRIMP LUGS MAY BE SUPPLIED. UP TO EIGHT (8) TWO HOLE, LONG BARREL CU CRIMP LUGS RATED FOR UP TO 600MCM. (REFER TO CRIMP LUG INSTALLATION DATA PROVIDED WITH UNIT FOR FULL INSTALLATION DETAILS).
  - A. LUG MATERIAL: HIGH CONDUCTIVITY WROUGHT COPPER FINISH, ELECTRO TIN PLATED.
  - B. UL LISTED, CSA CERTIFIED.
  - C. LUG MOUNTING HARDWARE TIGHTENING TORQUE: (REFER TO WITHSTAND CURRENT RATING LABEL PROVIDED ON EACH TRANSFER SWITCH).
  - D. SUITABLE WIRE BENDING SPACE IS PROVIDED FOR UP TO EIGHT (8) 600MCM CABLES PER TERMINAL PER NEC.
- CONSULT FACTORY FOR OTHER TERMINATION REQUIREMENTS.



PROJECT NAME:		COMPOSITE OUTLINE	
7000 SERIES BYPASS OPEN		1000-3000 AMP	
BY	DATE	MANUFACTURING TOLERANCES TO BE IN ACCORDANCE WITH ASCO PROCEDURE MP-1-003. FOR PLASTIC PARTS SEE MP-1-005	ASSEMB. REF. NO.
DRAWN BY	YZ	7/98	
CHECKED		PROPERTY OF ASCO POWER TECHNOLOGIES. USE PERMITTED FOR OUR WORK ONLY. ALL RIGHTS OF DESIGN OR INVENTION ARE RESERVED.	SCALE: 1:1 SIZE DS
APPROVAL			COMPUTER GENERATED DRAWING
FINAL APPROVAL	YZ	7/98	DWG. NO. 617441-001
			REV. G ESN 220740
			ASCO® ASCO POWER TECHNOLOGIES, LP. FLORHAM PARK, NEW JERSEY 07932 U.S.A.

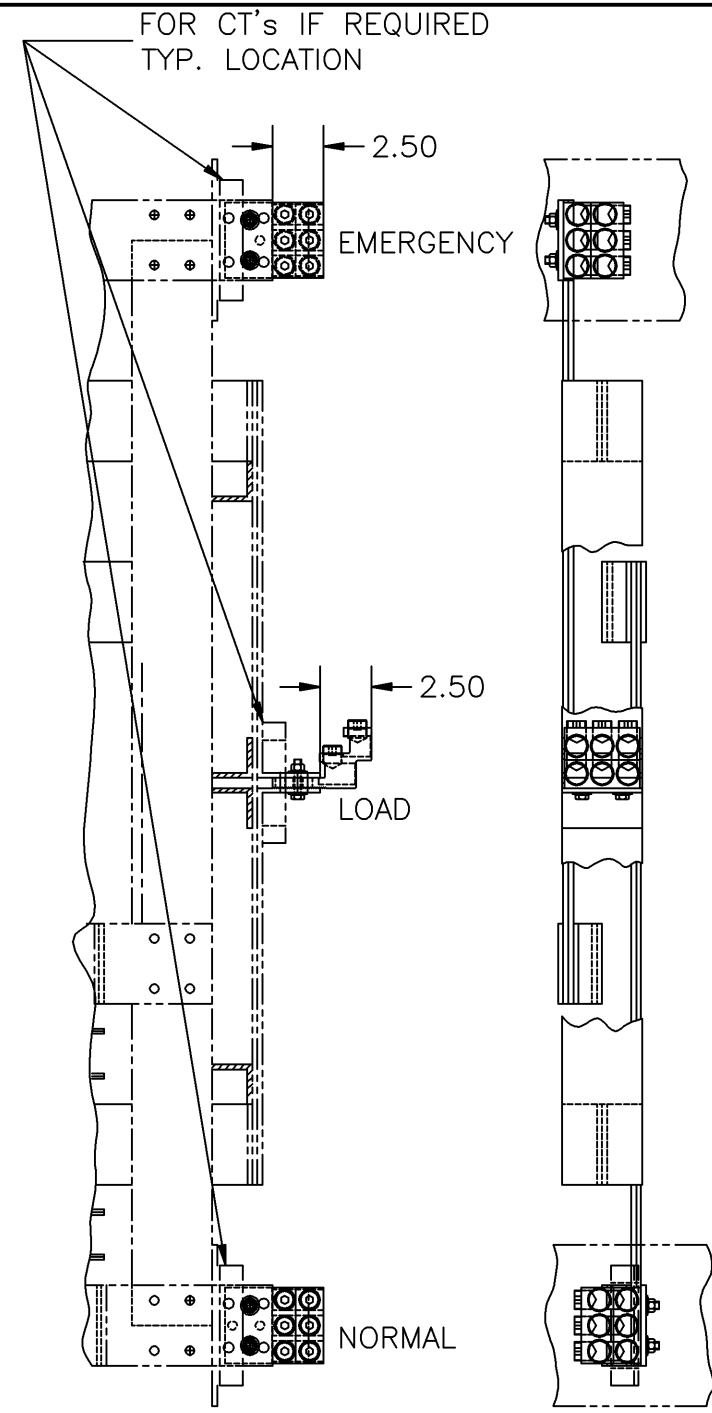
COMPOSITE OUTLINE FOR **ASCO** G7ACTB, G7ADTB, G7ATB, OPEN TYPE 1000-3000 AMPERE AUTOMATIC TRANSFER & BYPASS-ISOLATION SWITCHES



1000-1200 AMPS

SIDE VIEW

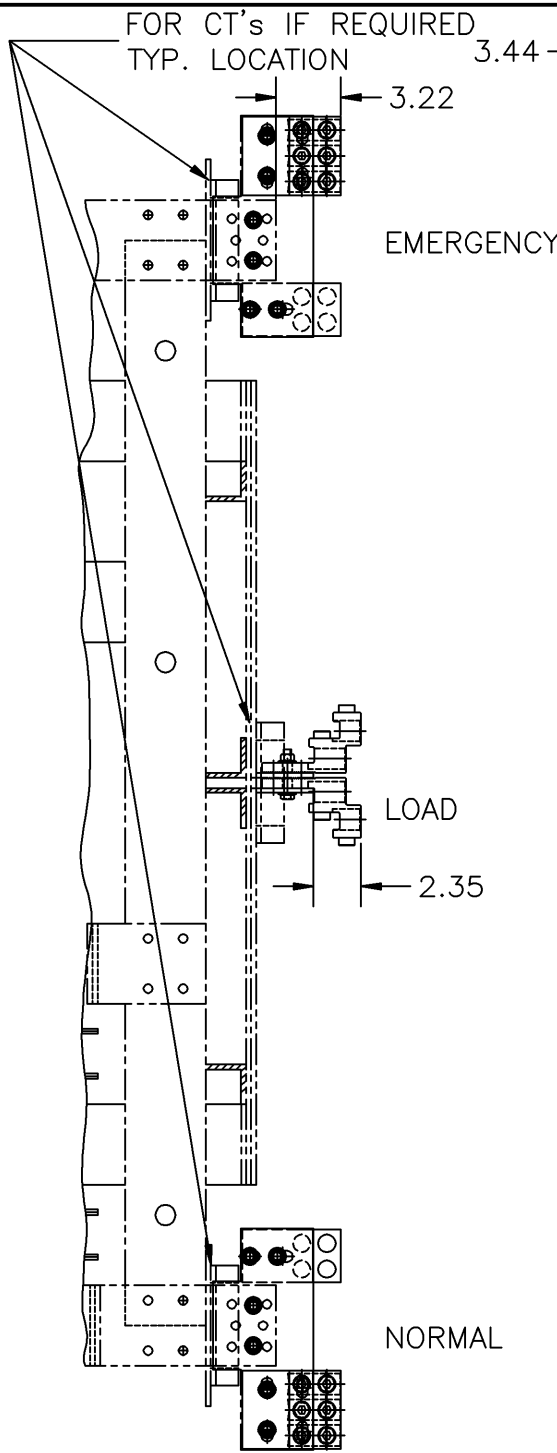
REAR VIEW



1600-2000 AMPS

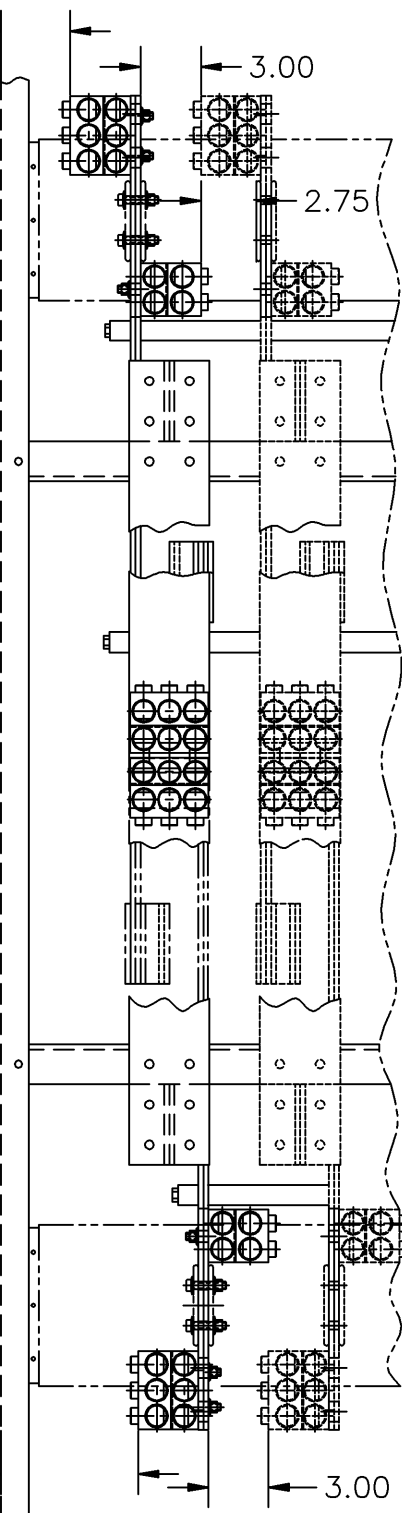
SIDE VIEW

REAR VIEW



2600-3000 AMPS

SIDE VIEW



REAR VIEW

G	220740	KK	WK	11/14/08
SEE ECN				
F	220401	TR	WK	08/21/07
SEE ECN				
E	214805	WK	BK	08/21/07
SEE ECN				
D	182798	TR	WK	2/5/03
SEE ECN				
C	159137	WK	WK	11/19/01
SEE ECN				

PROJECT NAME:		COMPOSITE OUTLINE		THIRD ANGLE PROJECTION	
7000 SERIES BYPASS OPEN		1000-3000 AMP		COMPUTER GENERATED DRAWING	
BY	DATE	MANUFACTURING TOLERANCES TO BE IN ACCORDANCE WITH ASCO PROCEDURE MP-1-003. FOR PLASTIC PARTS SEE MP-1-005	ASSEMB. REF. NO.	SCALE	SIZE
YZ	7/98			1:1	DS
CHECKED		PROPERTY OF ASCO POWER TECHNOLOGIES. USE PERMITTED FOR OUR WORK ONLY. ALL RIGHTS OF DESIGN OR INVENTION ARE RESERVED.		DRAWING NO. 617441-001	
APPROVAL		ASCO POWER TECHNOLOGIES, LP. FLOHAM PARK, NEW JERSEY 07932 U.S.A.		DRAWING G ECH 220740 SHEET 2 OF 2	
FINAL APPROVAL	YZ 7/98	ASCO			