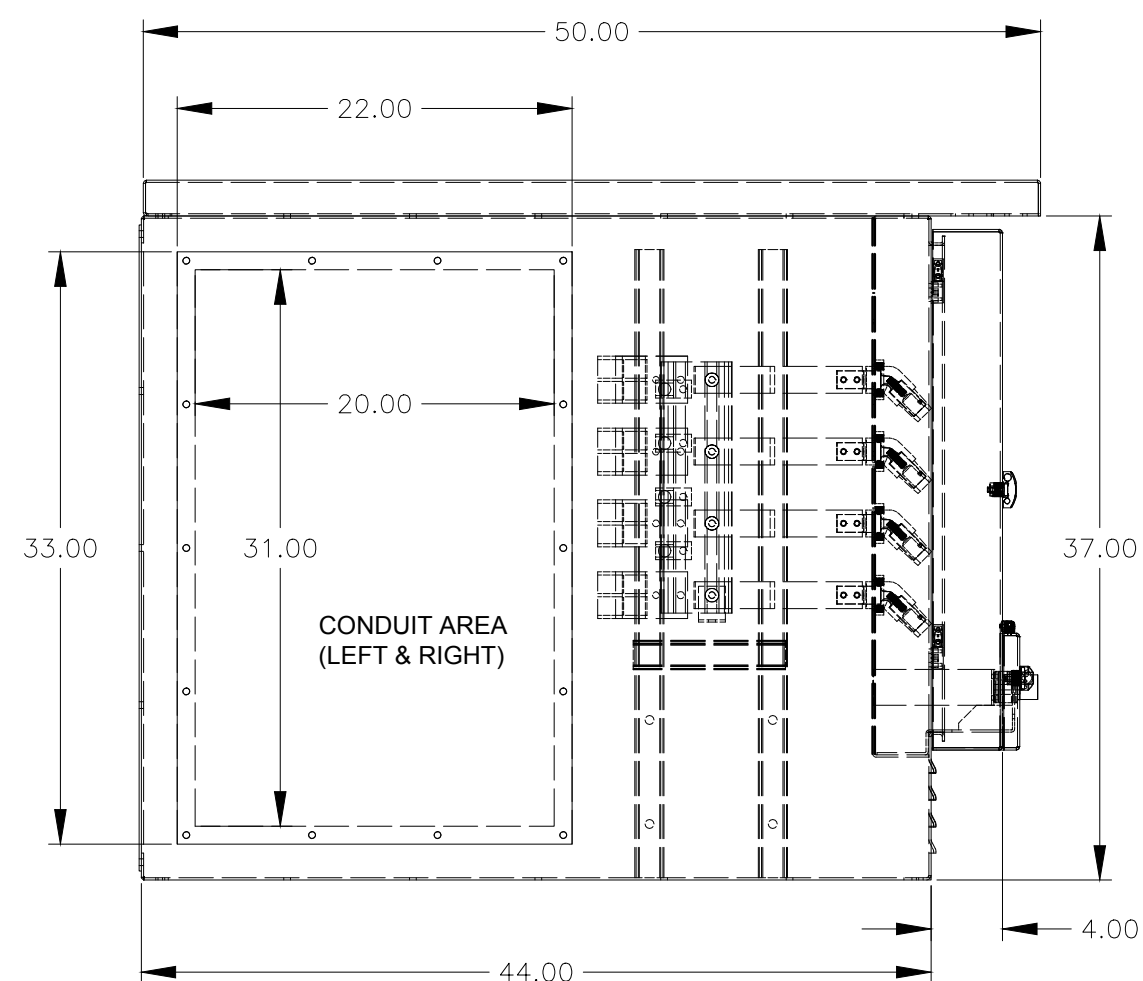
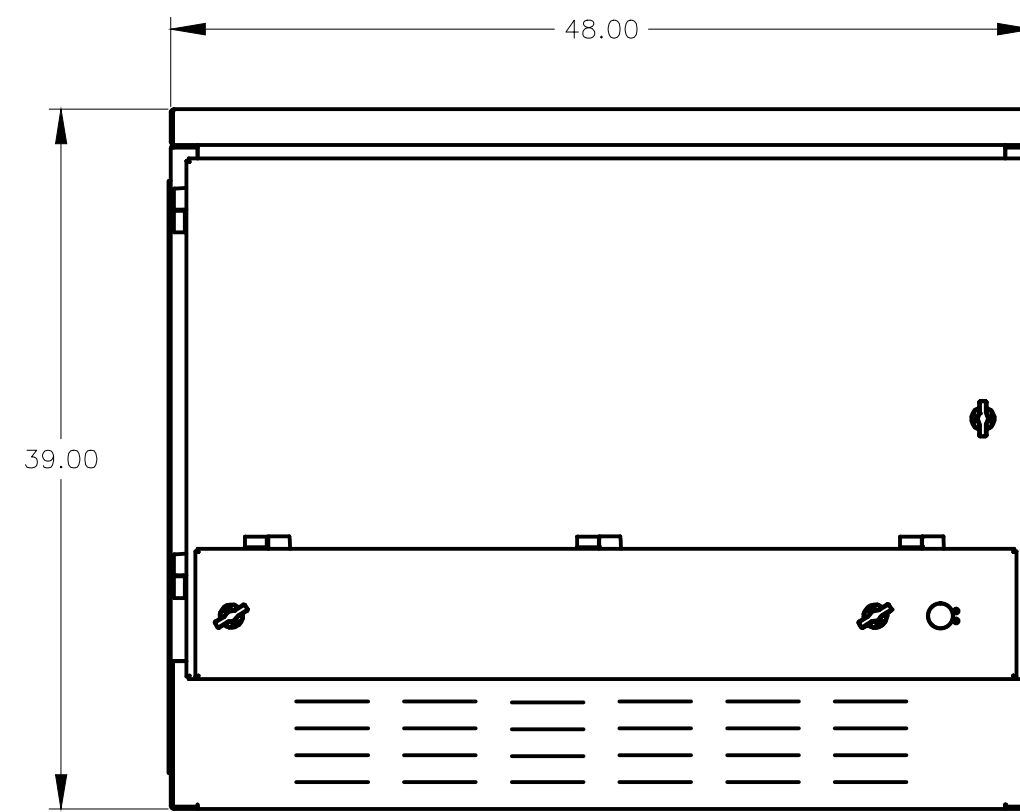


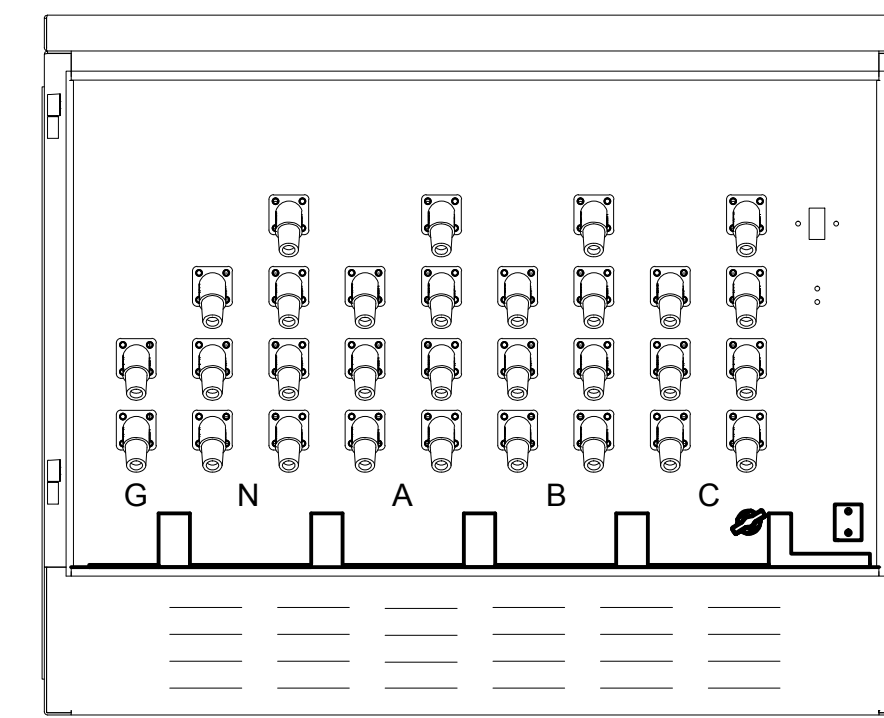
REAR VIEW



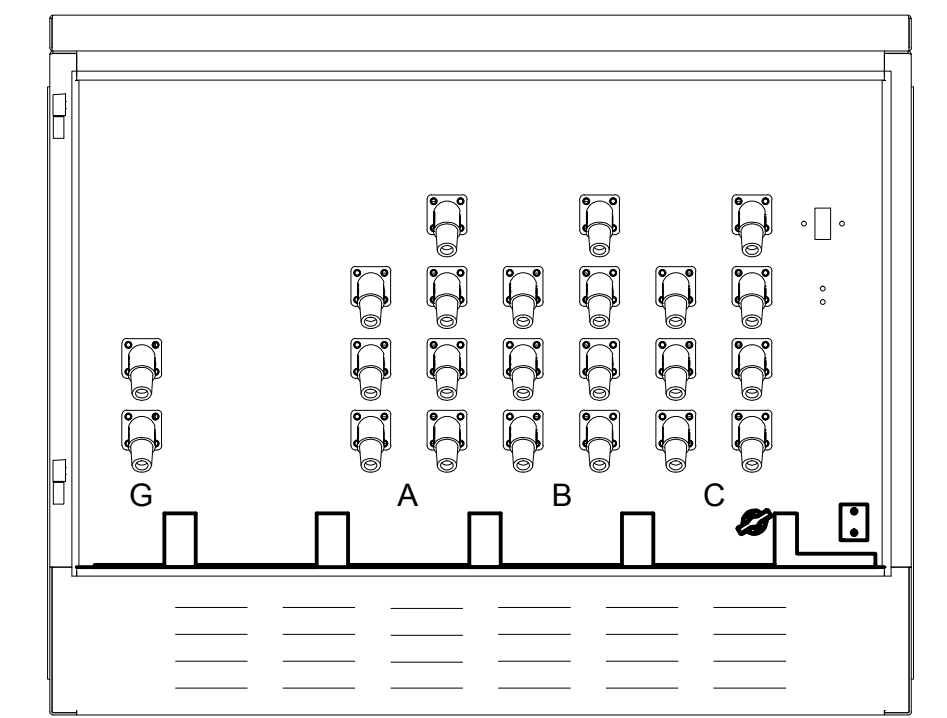
LEFT VIEW



FRONT VIEW



FRONT VIEW
3P + N + G
WITHOUT OUTER DOORS



FRONT VIEW
3P + G
WITHOUT OUTER DOORS

NOTES:

- INLET PANELS:**
 - FOR USE ONLY FOR CONNECTION OF A GENERATOR TO THE SOURCE TERMINALS OF A TRANSFER SWITCH SUCH THAT THE INLETS ARE ENERGIZED FROM THE GENERATOR
 - UL 1008 LISTED AS TRANSFER SWITCH ACCESSORY
 - 16 SERIES RECESSED MALE CONNECTORS
- OUTLET PANELS:**
 - FOR CONNECTION OF A LOAD BANK TO A POWER SOURCE
 - LISTED TO UL891
 - 16 SERIES RECESSED FEMALE CONNECTORS WITH FLIP COVERS
- PANEL RATINGS:**
 - 600VAC MAX, 50-60HZ, 2800A, 3PH/3W OR 3PH/4W
- SHORT CIRCUIT CURRENT RATING:**
 - 100K RMS SYMMETRICAL AMPS, 600 VAC MAX.
- ENCLOSURE:**
 - TYPE 3R CONSTRUCTION, FOR OUTDOOR USE ONLY
 - REMOVABLE HINGED DOOR WITH PADLOCK PROVISIONS
 - FINISH, ANSI 61 GRAY POWDER COAT
- REMOVABLE GASKETED SIDE ACCESS PANELS FOR ADDITIONAL CONDUIT ENTRY AREAS.**
- RECOMMENDED CLEARANCES:**
 - FRONT 24 TO 30 INCHES
- REMOVABLE GROUNDING STRAP(S) ARE INCLUDED CONNECTING THE GREEN CAMLOCKS TO THE ENCLOSURE.**
- NO NEUTRAL TO GROUND BONDING PROVISIONS INCLUDED.**
- CAMLOCK CONNECTORS ARE SERIES 16 COMPATIBLE. 400A RATED.**

INSTALLATION:

- SURFACE TO WHICH THE PANEL IS TO BE INSTALLED AND THE INSTALLATION METHOD / HARDWARE MUST BE CAPABLE OF SUPPORTING THE WEIGHT OF THE PANEL AS WELL AS THE WEIGHT OF THE TEMPORARY CABLES TO BE ATTACHED TO IT. WEIGHTS SHOWN IN TABLE BELOW.
- INSTALLATION IS TO BE DONE BY QUALIFIED PERSONNEL IN ACCORDANCE WITH LOCAL AND NATIONAL CODES AND GOOD ENGINEERING PRACTICES.
- PANEL MUST BE LEVEL AND PLUMB TO ALLOW FOR PROPER DRAINAGE / WATER RUNOFF.

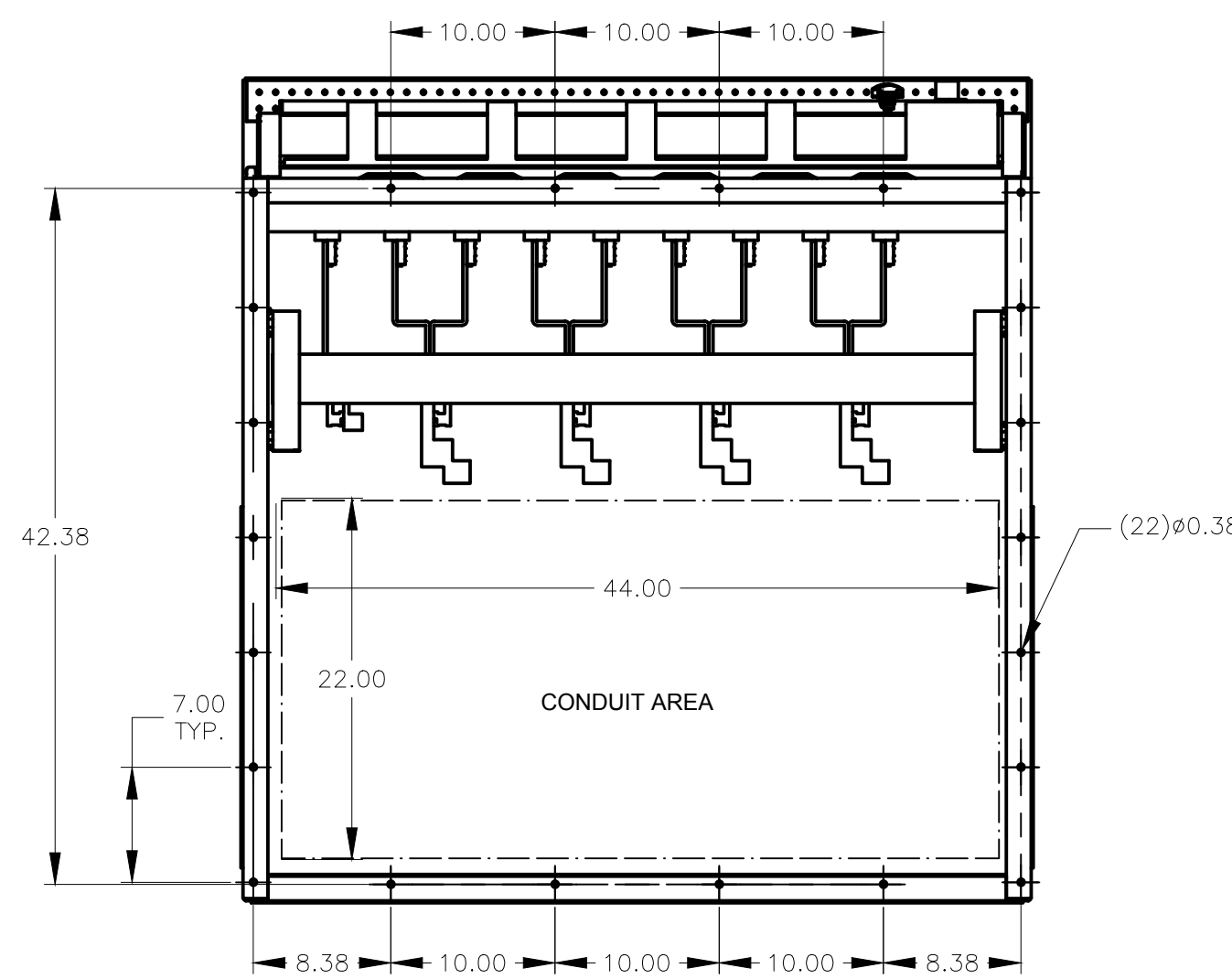
AMPS	SYSTEM CONFIGURATION	MATERIAL		WEIGHT (lbs)		CAMLOCK QUANTITY			LUG QUANTITY			LUG RANGE OF AL-CU CONDUCTOR SIZES
		ALUM.	SS	ALUM.	SS	PHASE	NEUTRAL	GROUND	PHASE	NEUTRAL	GROUND	
2800A	3P + G	1/8"	11 GA.	300	514	7	0	2	9	0	2	#2 TO 600 MCM
	3P + N + G			325	539	7	7	2	9	9	2	

CABLING:

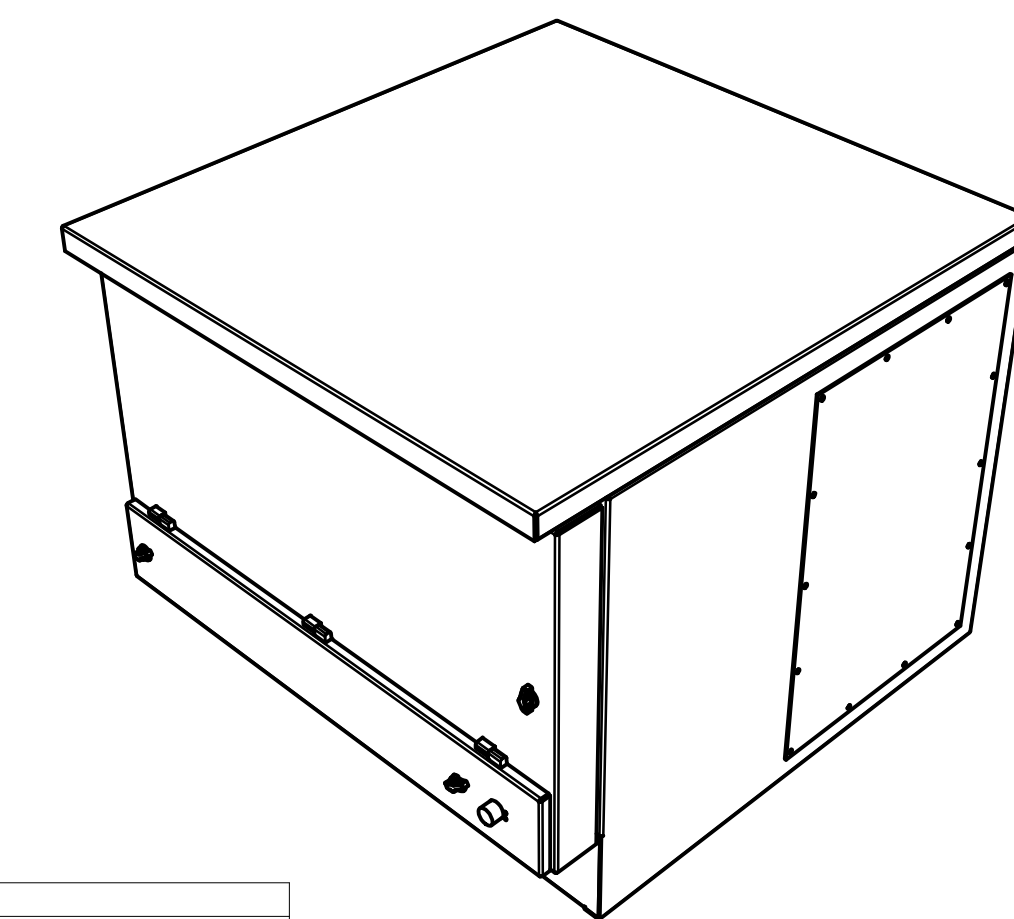
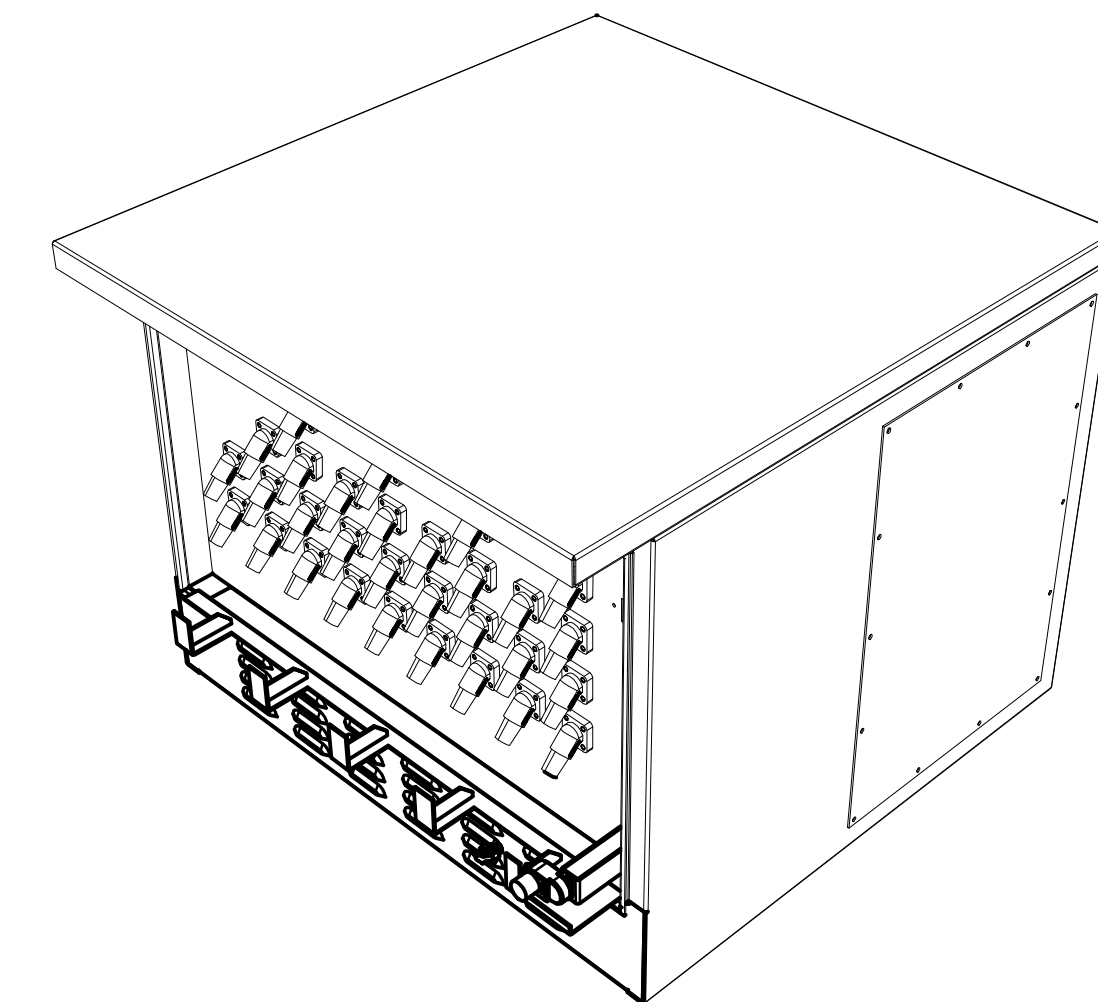
- ALL UNITS SUPPLIED WITH ONE SET OF MECHANICAL (SCREW TYPE) LUGS AS SHOWN IN TABLE ABOVE.
- LUGS ARE UL LISTED, TIN PLATED, ALUMINUM ALLOY COMPATIBLE WITH COPPER OR ALUMINUM CABLES.
- LUG SCREWS ARE TIN PLATED, TORQUE TO 19 FT-LBS PER UL4868.
- LUGS ARE ATTACHED TO COPPER PLATED OR FLASHED BUS WITH FACTORY SUPPLIED BOLTS, TORQUED TO 30 FT-LBS.

STANDARD FEATURES:

- PROVISIONS FOR KIRK™ OR CASTELL™ TRAPPED KEY INTERLOCK. KEY AND TUMBLER NOT PROVIDED.
- PHASE ROTATION MONITOR FOR TEMPORARY POWER CONNECTION.
- TAMPER RESISTANT DOOR WHILE IN USE.
- TWO WIRE AUTO START TERMINALS.



BOTTOM VIEW



CATALOG NUMBER											EXPLANATION OF CATALOG NUMBER CODES										
CATALOG TYPE	INPUT/OUTPUT	CONNECTOR TYPE	GROUND	NEUTRAL TYPE	POLES	AMPS	VOLT CODE	BLANK	OPTIONAL ACCESSORY	ENCLOSURE CODE	INPUT/OUTPUT CODE	CONNECTOR TYPE CODE	GROUND TYPE CODE	NEUTRAL TYPE CODE	VOLTAGE CODES		OPTIONAL ACCESSORY CODE	ENCLOSURE CODES			
															CODE	COLOR		CODE	TYPE	DESCRIPTION	
3QC	N U	C	A N	O A	3	2800	F N R	0	0 X Z	F S	N=INPUT U=OUTPUT	C=CAMLOCK	A=100% N=25%	GREEN	0=NONE A=100%	NONE WHITE	F 240 N 480 R 600	BLK, RED, BLU BRN, ORG, YEL BLK, BLK, BLK	0=STANDARD X=ACCESSORY Z=SPECIAL	F 3R S 3RX	SECURE ENCLOSURE OUTDOOR, RAINPROOF, SLEET & ICE RESISTANT (ALUMINUM) SECURE ENCLOSURE OUTDOOR, RAINPROOF, SLEET & ICE RESISTANT (316 STAINLESS STEEL)

271386	MKA	JPB	03/05/18
SEE ECN			
270603	JPB	JPB	01/08/18
ISSUE			
REV. TO SHEET	ECN NO.	BY	APP.
DATE			
PROJECT NAME:		QUICK CONNECT PANEL	
PADMOUNT			
2800 AMPS			
600 VAC MAX. 3PH/3W OR 3PH/4W			
BY	DATE	MANUFACTURING TOLERANCES TO BE IN ACCORDANCE WITH ASCO PROCEDURE MP-1-003. FOR PLASTIC PARTS SEE MP-1-055	
JPB	01/08/18	ASSEM. REF. NO.	COMPUTER GENERATED DRAWING
CHECKED		PROPERTY OF ASCO POWER TECHNOLOGIES. USE PERMITTED FOR OUR WORK ONLY. ALL RIGHTS OF DESIGN OR INVENTION ARE RESERVED.	
PROJECT APPROVAL		DWG. NO.	SCALE 5/32" = 1" SIZE DS
FINAL APPROVAL	JPB	01/08/18	1184355
DRAWING A		ECN NO.	271386
REV.		SHEET 1 OF 1	