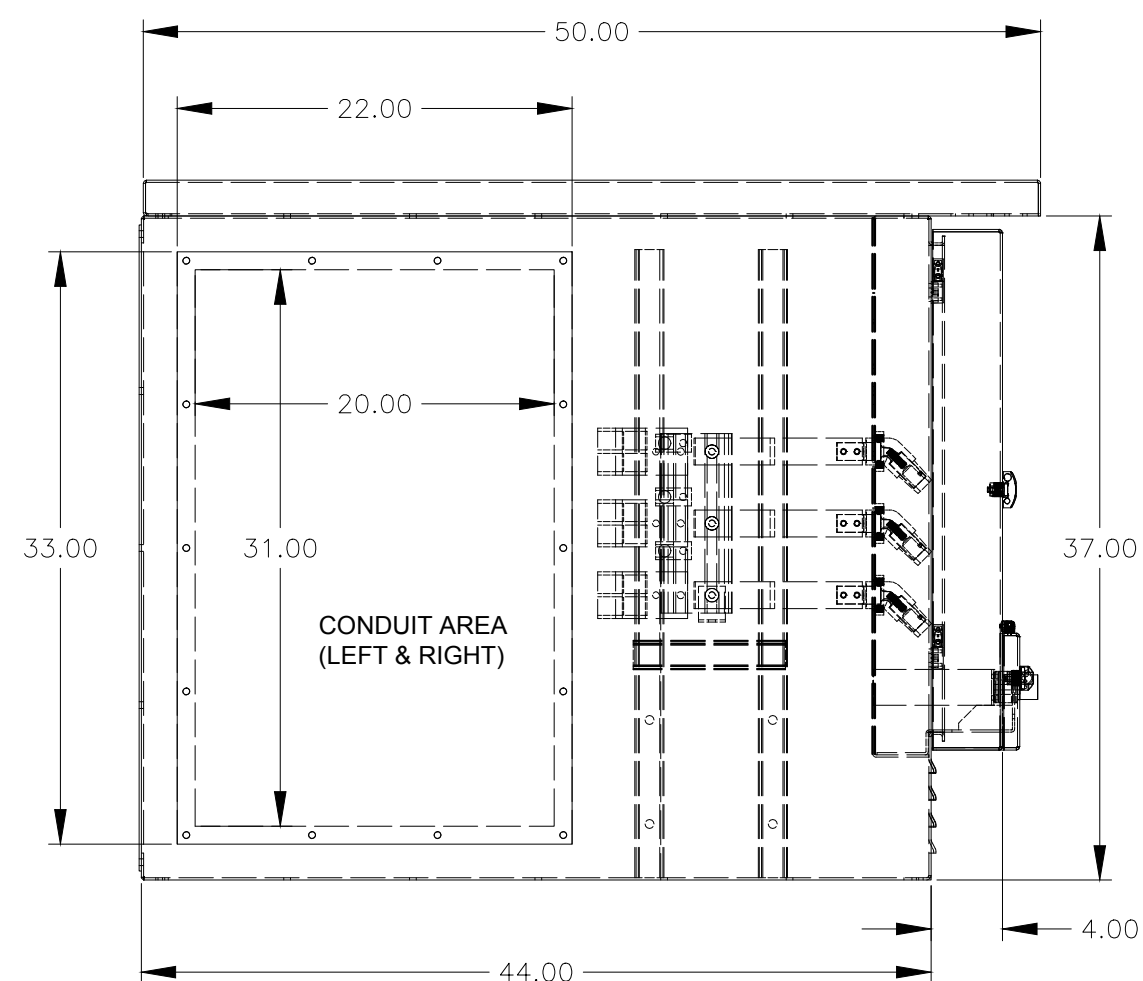
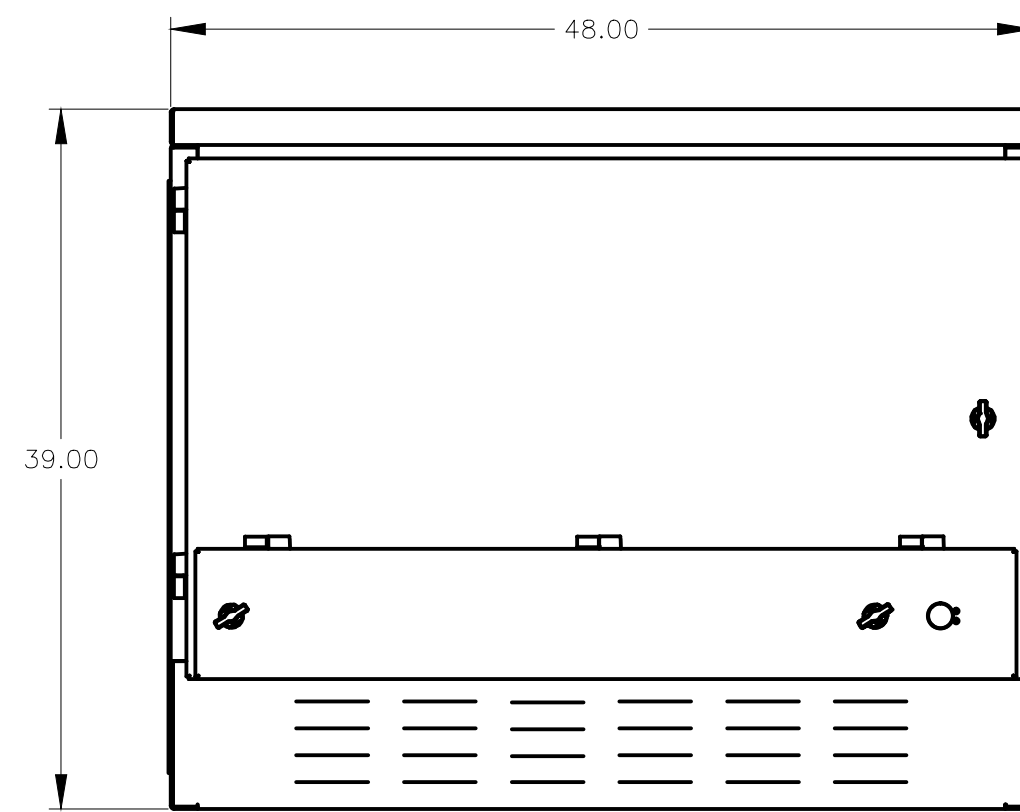


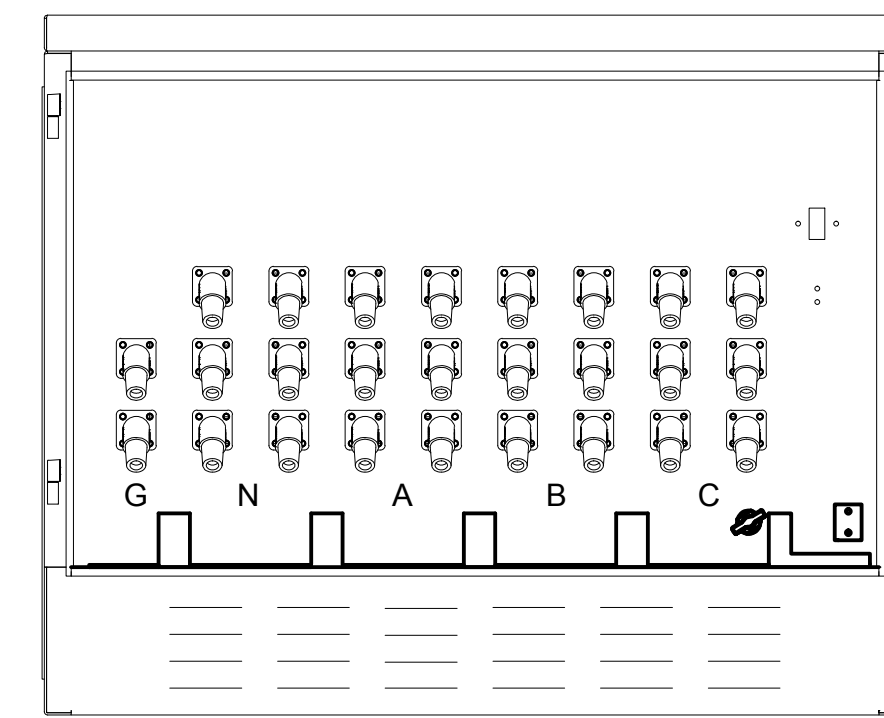
REAR VIEW



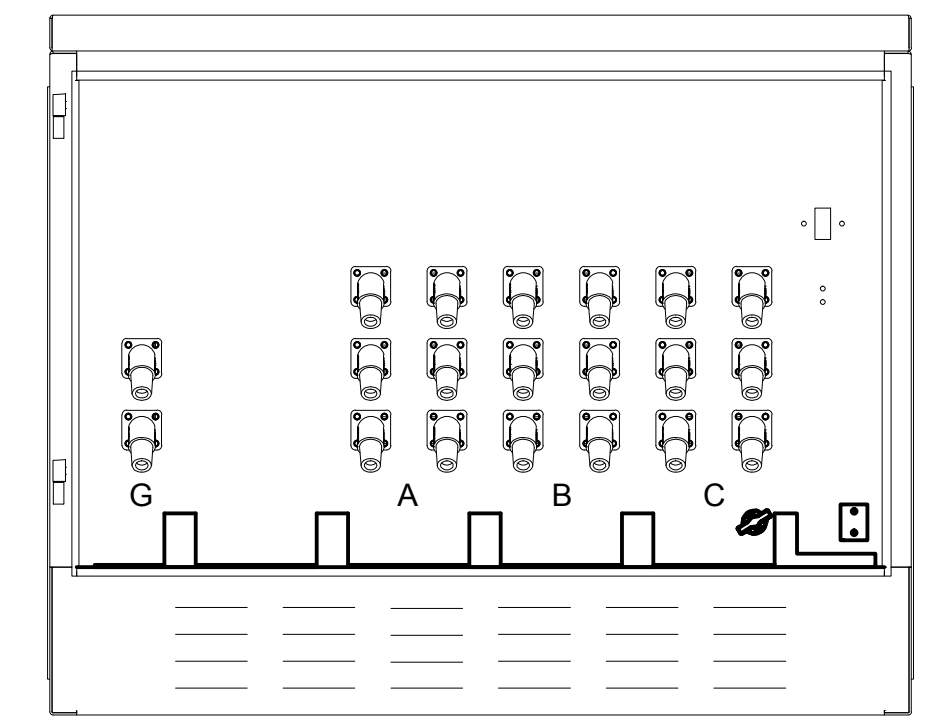
LEFT VIEW



FRONT VIEW



FRONT VIEW  
3P + N + G  
WITHOUT OUTER DOORS



FRONT VIEW  
3P + G  
WITHOUT OUTER DOORS

NOTES:

- INLET PANELS:**
  - FOR USE ONLY FOR CONNECTION OF A GENERATOR TO THE SOURCE TERMINALS OF A TRANSFER SWITCH SUCH THAT THE INLETS ARE ENERGIZED FROM THE GENERATOR
  - UL 1008 LISTED AS TRANSFER SWITCH ACCESSORY
  - 16 SERIES RECESSED MALE CONNECTORS
- OUTLET PANELS:**
  - FOR CONNECTION OF A LOAD BANK TO A POWER SOURCE
  - LISTED TO UL891
  - 16 SERIES RECESSED FEMALE CONNECTORS WITH FLIP COVERS
- PANEL RATINGS:**
  - 600VAC MAX, 50-60HZ, 2400A, 3PH/3W OR 3PH/4W
- SHORT CIRCUIT CURRENT RATING:**
  - 100K RMS SYMMETRICAL AMPS, 600 VAC MAX.
- ENCLOSURE:**
  - TYPE 3R CONSTRUCTION, FOR OUTDOOR USE ONLY
  - REMOVABLE HINGED DOOR WITH PADLOCK PROVISIONS
  - FINISH, ANSI 61 GRAY POWDER COAT
- REMOVABLE GASKETED SIDE ACCESS PANELS FOR ADDITIONAL CONDUIT ENTRY AREAS.**
- RECOMMENDED CLEARANCES:**
  - FRONT 24 TO 30 INCHES
- REMOVABLE GROUNDING STRAP(S) ARE INCLUDED CONNECTING THE GREEN CAMLOCKS TO THE ENCLOSURE.**
- NO NEUTRAL TO GROUND BONDING PROVISIONS INCLUDED.**
- CAMLOCK CONNECTORS ARE SERIES 16 COMPATIBLE. 400A RATED.**

INSTALLATION:

- SURFACE TO WHICH THE PANEL IS TO BE INSTALLED AND THE INSTALLATION METHOD / HARDWARE MUST BE CAPABLE OF SUPPORTING THE WEIGHT OF THE PANEL AS WELL AS THE WEIGHT OF THE TEMPORARY CABLES TO BE ATTACHED TO IT. WEIGHTS SHOWN IN TABLE BELOW.
- INSTALLATION IS TO BE DONE BY QUALIFIED PERSONNEL IN ACCORDANCE WITH LOCAL AND NATIONAL CODES AND GOOD ENGINEERING PRACTICES.
- PANEL MUST BE LEVEL AND PLUMB TO ALLOW FOR PROPER DRAINAGE / WATER RUNOFF.

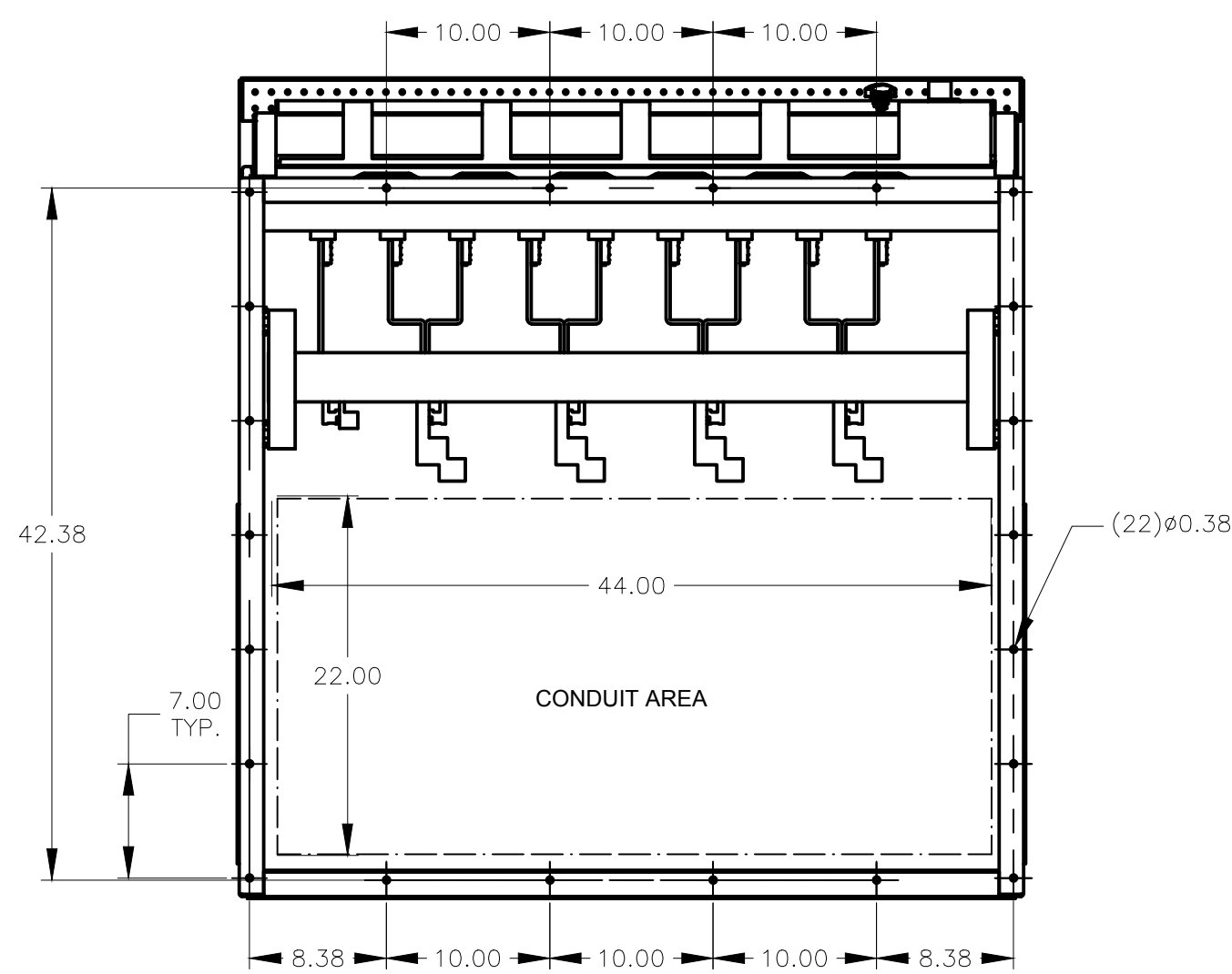
AMPS	SYSTEM CONFIGURATION	MATERIAL		WEIGHT (lbs)		CAMLOCK QUANTITY			LUG QUANTITY			LUG RANGE OF AL-CU CONDUCTOR SIZES
		ALUM.	SS	ALUM.	SS	PHASE	NEUTRAL	GROUND	PHASE	NEUTRAL	GROUND	
2400A	3P + G	1/8"	11 GA.	295	507	6	0	2	8	0	2	#2 TO 600 MCM
	3P + N + G			317	529	6	6	2	8	8	2	

CABLING:

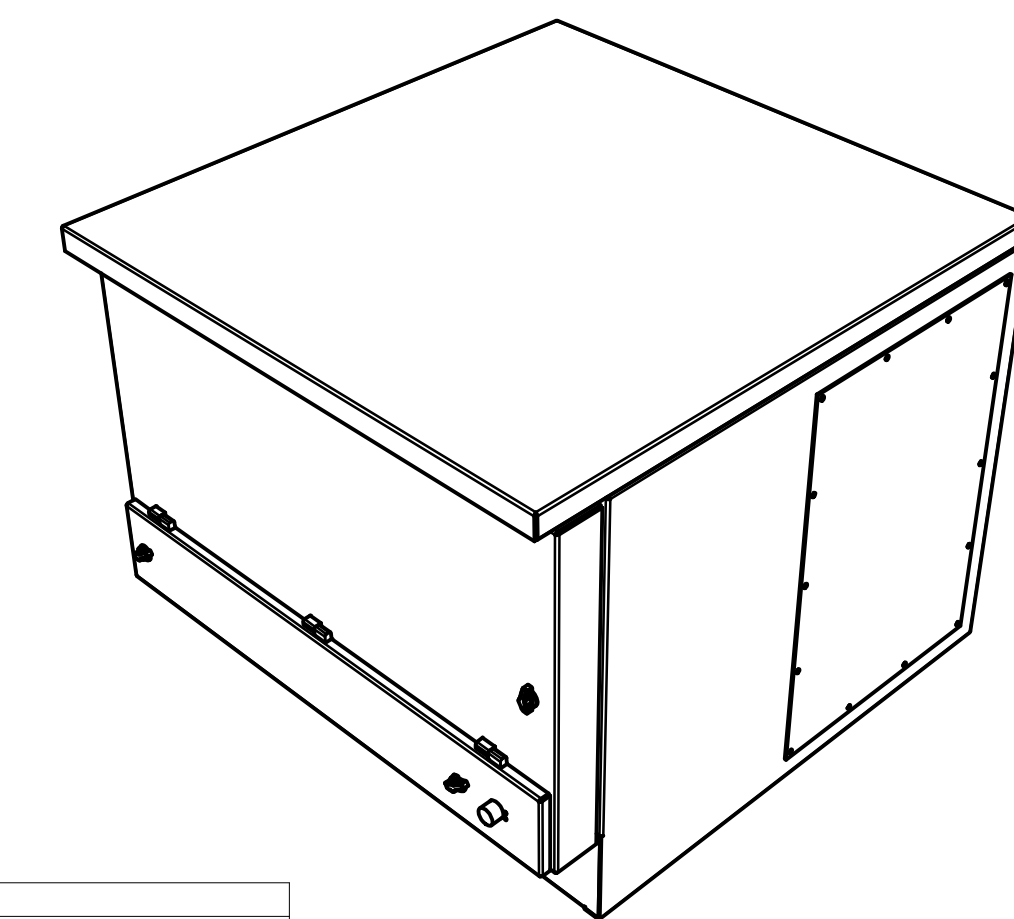
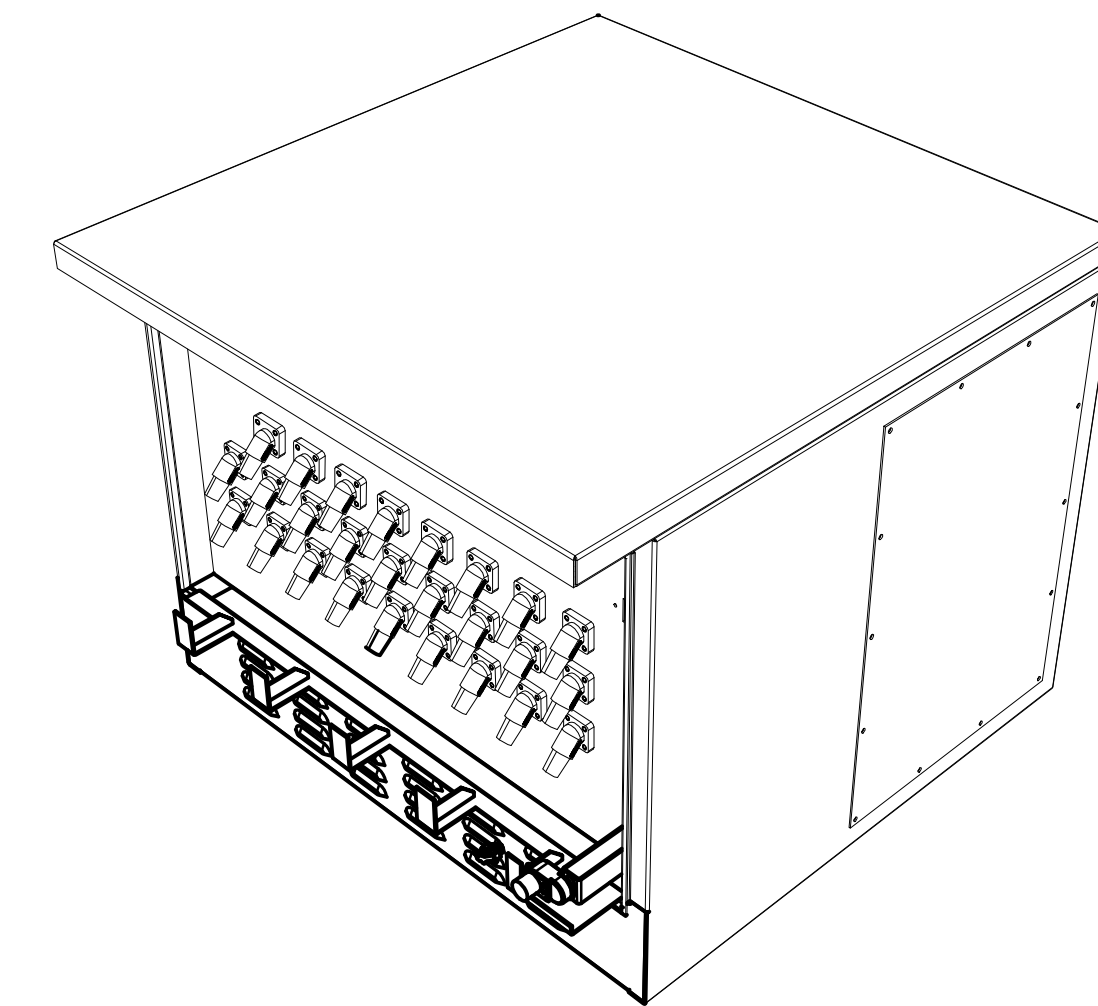
- ALL UNITS SUPPLIED WITH ONE SET OF MECHANICAL (SCREW TYPE) LUGS AS SHOWN IN TABLE ABOVE.
- LUGS ARE UL LISTED, TIN PLATED, ALUMINUM ALLOY COMPATIBLE WITH COPPER OR ALUMINUM CABLES.
- LUG SCREWS ARE TIN PLATED, TORQUE TO 19 FT-LBS PER UL4868.
- LUGS ARE ATTACHED TO COPPER PLATED OR FLASHED BUS WITH FACTORY SUPPLIED BOLTS, TORQUED TO 30 FT-LBS.

STANDARD FEATURES:

- PROVISIONS FOR KIRK™ OR CASTELL™ TRAPPED KEY INTERLOCK. KEY AND TUMBLER NOT PROVIDED.
- PHASE ROTATION MONITOR FOR TEMPORARY POWER CONNECTION.
- TAMPER RESISTANT DOOR WHILE IN USE.
- TWO WIRE AUTO START TERMINALS.



BOTTOM VIEW



CATALOG NUMBER											EXPLANATION OF CATALOG NUMBER CODES												
CATALOG TYPE	INPUT/OUTPUT	CONNECTOR TYPE	GROUND	NEUTRAL TYPE	POLES	AMPS	VOLT CODE	BLANK	OPTIONAL ACCESSORY	ENCLOSURE CODE	INPUT/OUTPUT	CONNECTOR TYPE	GROUND TYPE	NEUTRAL TYPE	VOLTAGE CODES			OPTIONAL ACCESSORY	ENCLOSURE CODES				
											CODE	CODE	CODE	COLOR	CODE	COLOR	CODE	NOMINAL VOLTAGE	COLOR CODE	CODE	CODE	TYPE	DESCRIPTION
3QC	N U	C	A N	O A	3	2400	F N R	0	0 X Z	F S	N=INPUT U=OUTPUT	C=CAMLOCK	A=100% N=25%	GREEN	0=NONE A=100%	NONE WHITE	F N R	240 480 600	BLK, RED, BLU BRN, ORG, YEL BLK, BLK, BLK	0=STANDARD X=ACCESSORY Z=SPECIAL	F S	3R 3RX	SECURE ENCLOSURE OUTDOOR, RAINPROOF, SLEET & ICE RESISTANT (ALUMINUM)  SECURE ENCLOSURE OUTDOOR, RAINPROOF, SLEET & ICE RESISTANT (316 STAINLESS STEEL)

271386	MKA	JPB	03/05/18
SEE ECN			
270603	JPB	JPB	01/08/18
ISSUE			

PROJECT NAME:				REV. TO SHEET	ECN NO.	BY	APP.	DATE
PADMOUNT QUICK CONNECT PANEL								
2400 AMPS				THIRD ANGLE PROJECTION				
600 VAC MAX. 3PH/3W OR 3PH/4W								
BY	DATE	MANUFACTURING TOLERANCES TO BE IN ACCORDANCE WITH ASCO PROCEDURE MP-1-003. FOR PLASTIC PARTS SEE MP-1-055			ASSEM. REF. NO.	COMPUTER GENERATED DRAWING		
JPB	01/08/18					SCALE 5/32" = 1" SIZE	DS	
CHECKED		PROPERTY OF ASCO POWER TECHNOLOGIES. USE PERMITTED FOR OUR WORK ONLY. ALL RIGHTS OF DESIGN OR INVENTION ARE RESERVED.				DWG. NO.		
PROJECT APPROVAL						1184354		
FINAL APPROVAL	JPB	01/08/18	ASCO® ASCO POWER TECHNOLOGIES, L.P. FLORHAM PARK, NEW JERSEY 07932 U.S.A.			DRAWING A	ECN NO. 271386	SHEET 1 OF 1