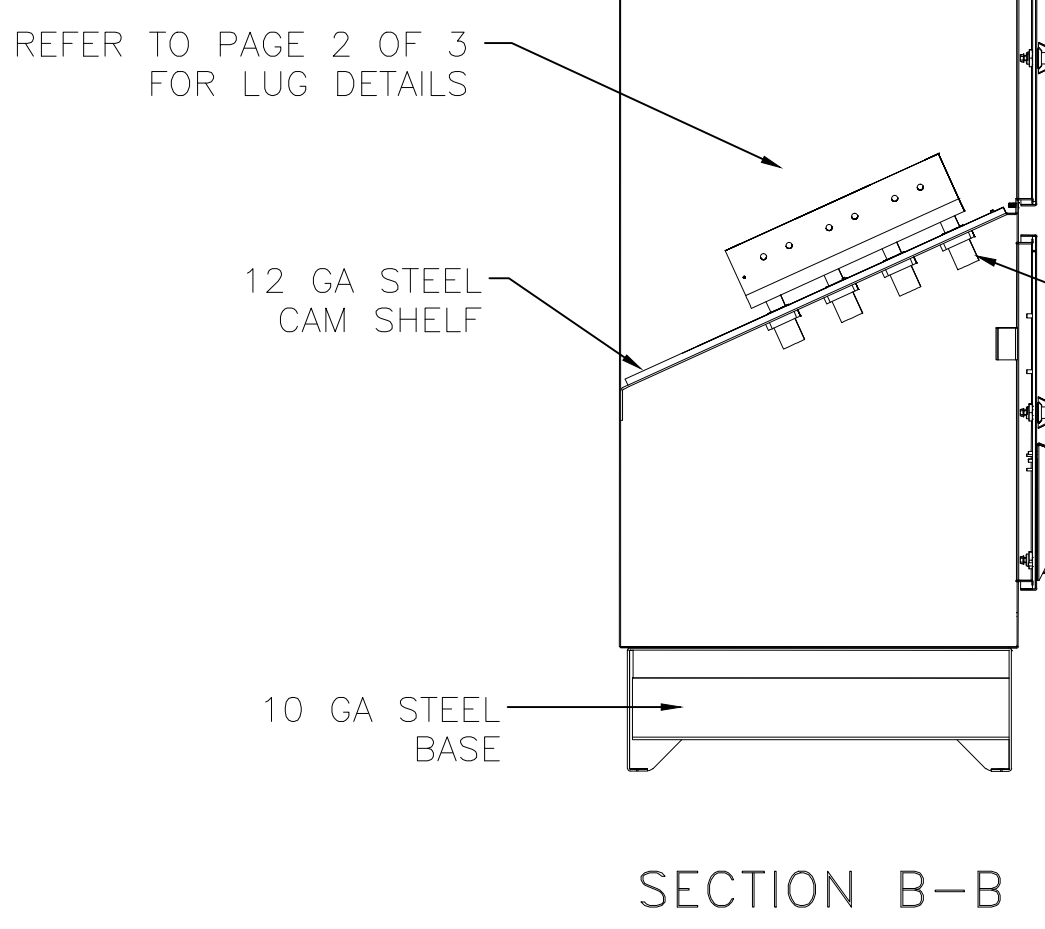


- NOTES:**
- INLET PANELS:**  
-FOR USE ONLY FOR CONNECTION OF A GENERATOR TO THE SOURCE TERMINALS OF A TRANSFER SWITCH, SUCH THAT THE INLETS ARE ENERGIZED FROM THE GENERATOR  
-ETL LISTED TO UL1008, TRANSFER SWITCH ACCESSORY
  - OUTLET PANELS:**  
-FOR CONNECTION OF A LOAD BANK TO A POWER SOURCE  
-ETL LISTED TO UL891
  - PANEL RATINGS:** 600V MAX, 50/60 Hz, 1200A AND 1600A, 3PH/3W OR 3PH/4W
  - SHORT CIRCUIT RATING:** 22K RMS SYMMETRICAL AMPS, 600 VAC MAX., 50 mS
  - ENCLOSURE:**  
RATING - TYPE 3R CONSTRUCTION, FOR OUTDOOR USE ONLY  
FINISH - ANSI 61 GREY

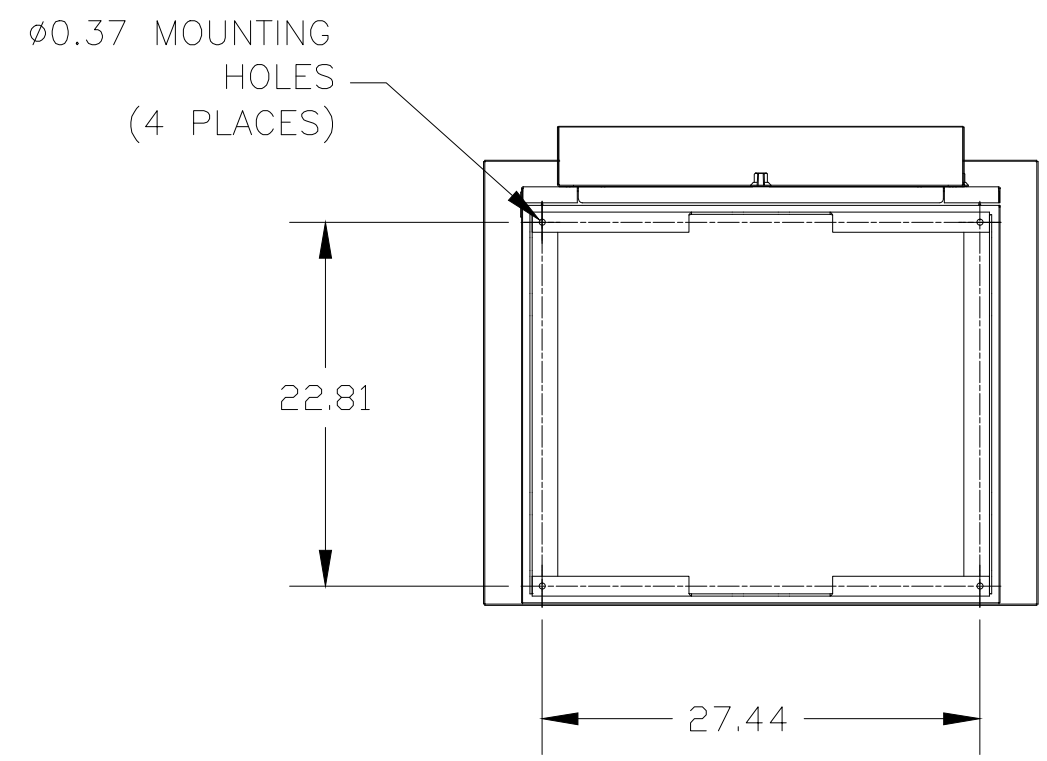
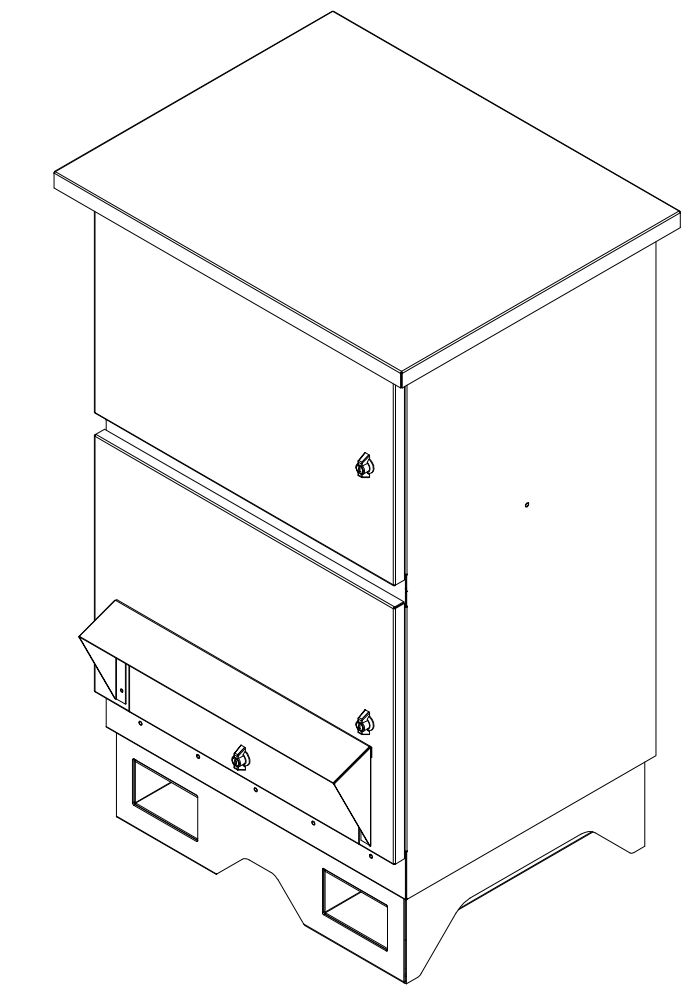
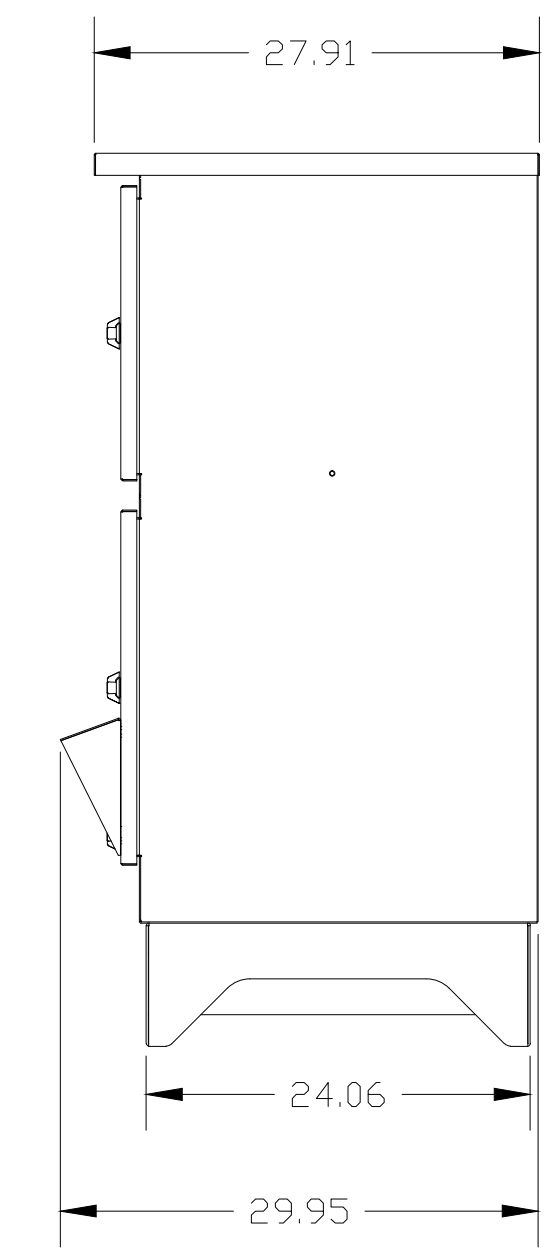
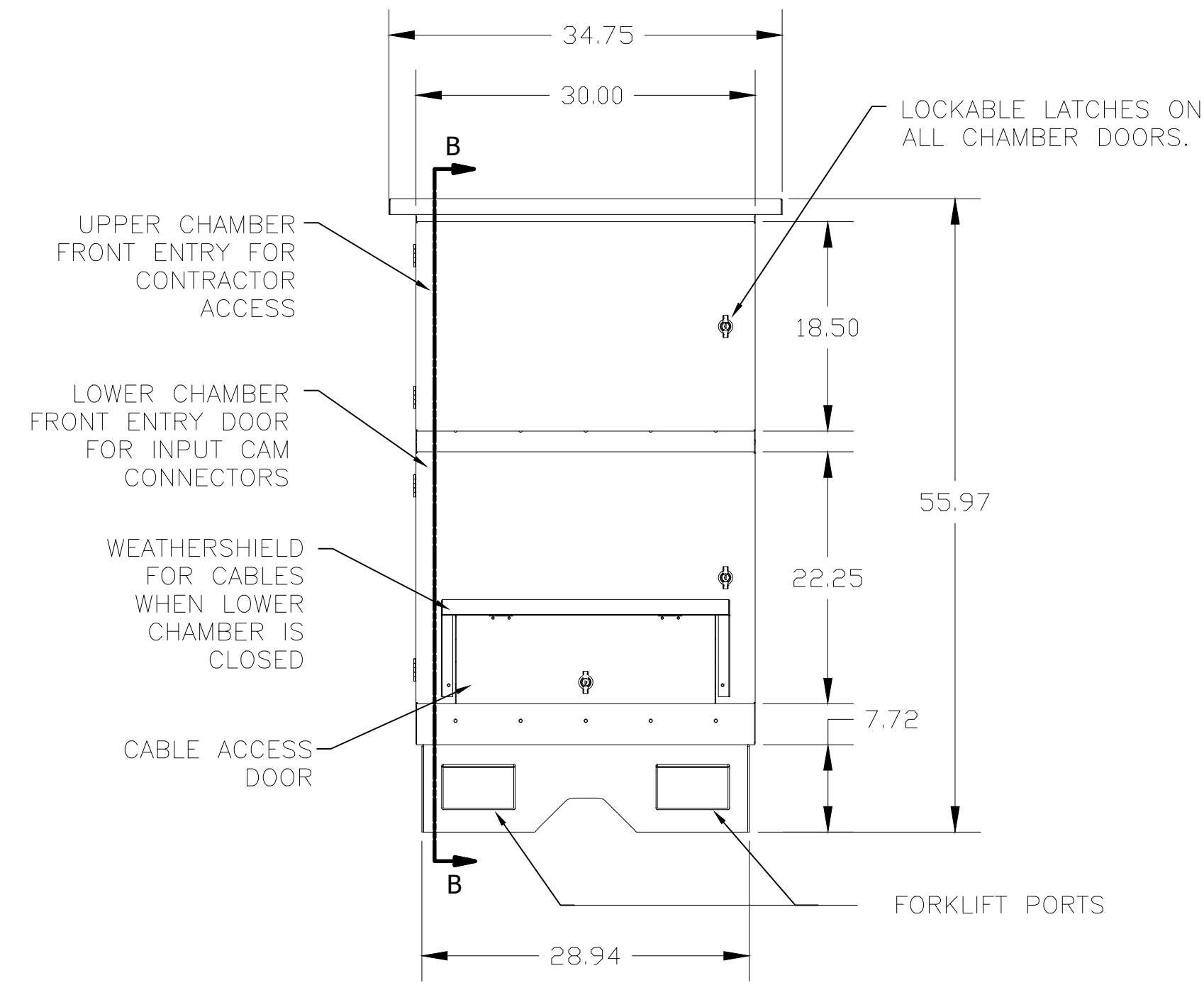
- SITE PREP:**
- PREPARE INSTALLATION SITE ACCORDING TO LOCAL CODES
  - SURFACE TO WHICH PANEL IS TO BE INSTALLED MUST BE CAPABLE OF SUPPORTING THE WEIGHT OF THE PANEL AS WELL AS THE WEIGHT OF THE CABLES ATTACHED TO IT.
  - \* 1200 AMP QUICK CONNECT PANEL 485 LBS.
  - \* 1600 AMP QUICK CONNECT PANEL 505 LBS.
  - PROPER CLEARANCE MUST BE ALLOWED IN FRONT OF THE PANEL, NO LESS THAN SIX (6) FEET FROM THE FACE OF THE PANEL

- INSTALLATION:**
- THE PANEL IS TOP HEAVY AND THE CENTER OF GRAVITY IS ABOVE THE FORKLIFT SLOTS. USE CARE WHEN LIFTING AND MOVING THE PANEL.
  - PANEL INSTALLATION IS TO BE CARRIED OUT BY QUALIFIED PERSONNEL IN ACCORDANCE WITH THE NATIONAL ELECTRICAL CODE AND LOCAL CODES.
  - THE PANEL IS TO BE FASTENED TO AN EXTERNAL PAD USING 3/8" DIA. FASTENERS.
  - \* THE EXTERNAL PAD MUST BE LEVEL AND PLUMB TO ALLOW FOR PROPER DRAINAGE FROM THE PANEL WEEP HOLES.

- CABLING:**
- CONDUIT/CABLE ENTRY IS TO BE THROUGH THE BOTTOM, TOP OR REAR OF THE PANEL, USING PROPER SEALING PROCEDURES TO MAINTAIN TYPE 3R RATING COMPLIANCE. FOR BOTTOM CABLE ENTRY ACC. 40QC OR ACC. 171QC IS REQUIRED.
- OPTIONAL ACCESSORIES:**
- ACC. 40QC - BOTTOM CONDUIT/CABLE ENTRY (REFER TO PAGE 3 OF 3 FOR ACC. 40QC DETAILS)
  - ACC. 147QC - COLOR CODING FOR CANADIAN CAMLOK CONNECTORS  
THREE PHASE: RED (PHASE A), BLK (PHASE B), BLU (PHASE C), NEUT. WHEN REQUIRED (WHT)
  - ACC. 171QC - PHASE ROTATION MONITOR, FUSES, ENGINE START TERMINAL POST AND PROVISION FOR TRAP KEY. (REFER TO PAGE 3 OF 3 FOR ACC. 171QC DETAILS)



- \*INLET PANELS:  
-RECESSED MALE CONNECTORS
- \*OUTLET PANELS:  
-FEMALE CONNECTORS



CATALOG TYPE	INPUT/OUTPUT	CONNECTOR TYPE	CATALOG NUMBER					VOLT CODE	BLANK	OPTIONAL ACCESSORY	ENCLOSURE CODE	EXPLANATION OF CATALOG NUMBER CODES											
			GROUND	NEUTRAL TYPE	POLES	AMPS	POLES					GROUND TYPE	NEUTRAL TYPE	VOLTAGE CODES		OPTIONAL ACCESSORY	ENCLOSURE CODES						
											CODE	CODE	CODE	COLOR	CODE	COLOR	CODE	NOMINAL VOLTAGE	COLOR CODE	CODE	CODE	TYPE	DESCRIPTION
3QC	N U	C	A N	O A	3	1200 1600	F N R	0	0 X Z	F S R	N=INPUT U=OUTPUT	C=CAMLOCK	A=100% N=25%	GREEN	0=NONE A=100% WHITE	NONE	F N R	240 480 600	BLK,RED,BLU BRN,ORG,YEL BLK,BLK,BLK	0=STANDARD X=ACCESSORY Z=SPECIAL	F S R	3R 3R 3R	SECURE ENCLOSURE OUTDOOR, RAINPROOF, SLEET & ICE RESISTANT (STEEL)  SECURE ENCLOSURE OUTDOOR, RAINPROOF, SLEET & ICE RESISTANT (316 STAINLESS STEEL)  SECURE ENCLOSURE OUTDOOR, RAINPROOF, SLEET & ICE RESISTANT (304 STAINLESS STEEL)

F	275149	MKA	JPB	10/11/18
SEE ECN				
E	274211	MKA	JPB	09/11/18
SEE ECN				
D	271086	MKA	JPB	02/16/18
SEE ECN				
C	270482	JPB	JPB	01/02/18
SEE ECN				
B	269400	MKA	JPB	10/09/17
SEE ECN				
A	266986	MKA	JPB	05/09/17
SEE ECN				
-	266191	MKA	JPB	03/22/17
ISSUE				

**PROJECT NAME:** QUICK CONNECT PANEL

**1200 AND 1600 AMPS**

**600V MAX, 3PH/3W OR 3PH/4W**

BY: MKA DATE: 03/22/17

CHECKED: PROJECT APPROVAL: FINAL APPROVAL: JPB 03/22/17

MANUFACTURING TOLERANCES TO BE IN ACCORDANCE WITH ASCO PROCEDURE MP-1-003. FOR PLASTIC PARTS SEE MP-1-005.

PROPERTY OF ASCO POWER TECHNOLOGIES. USE PERMITTED FOR OUR WORK ONLY. ALL RIGHTS OF DESIGN OR INVENTION ARE RESERVED.

ASCO® ASCO POWER TECHNOLOGIES, L.P. FLORHAM PARK, NEW JERSEY 07932 U.S.A.

SCALE: 12 SIZE: DS

DWG. NO: 1183675

ECN NO: 275149 SHEET 1 OF 3

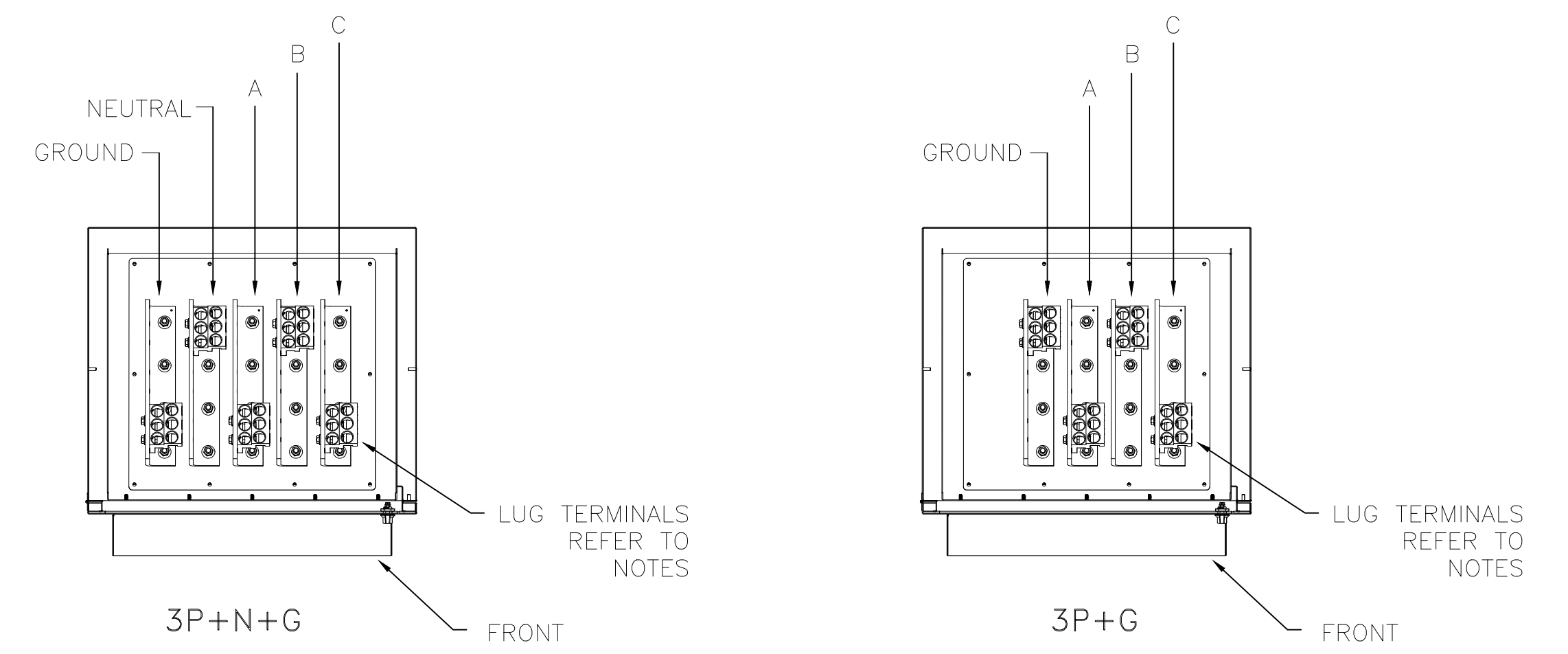
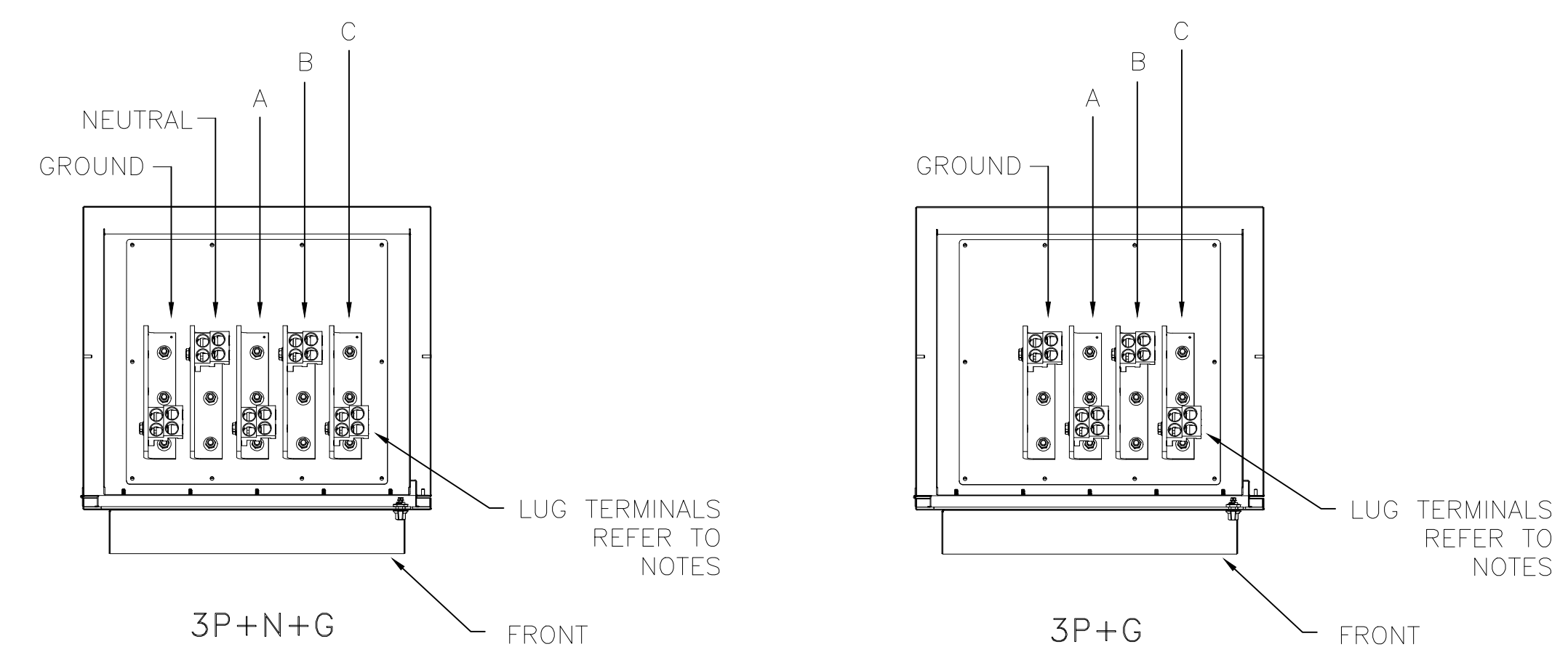
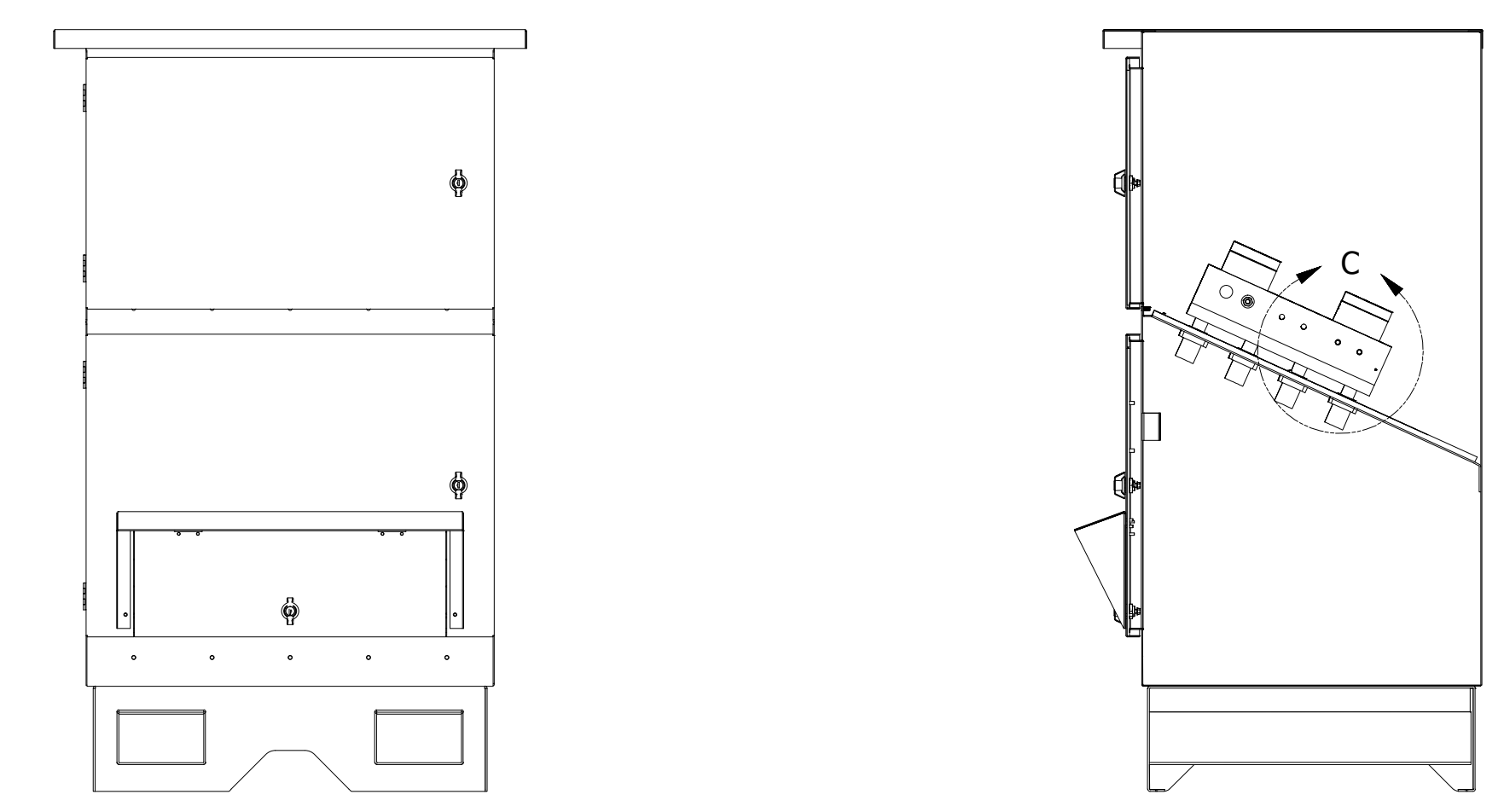
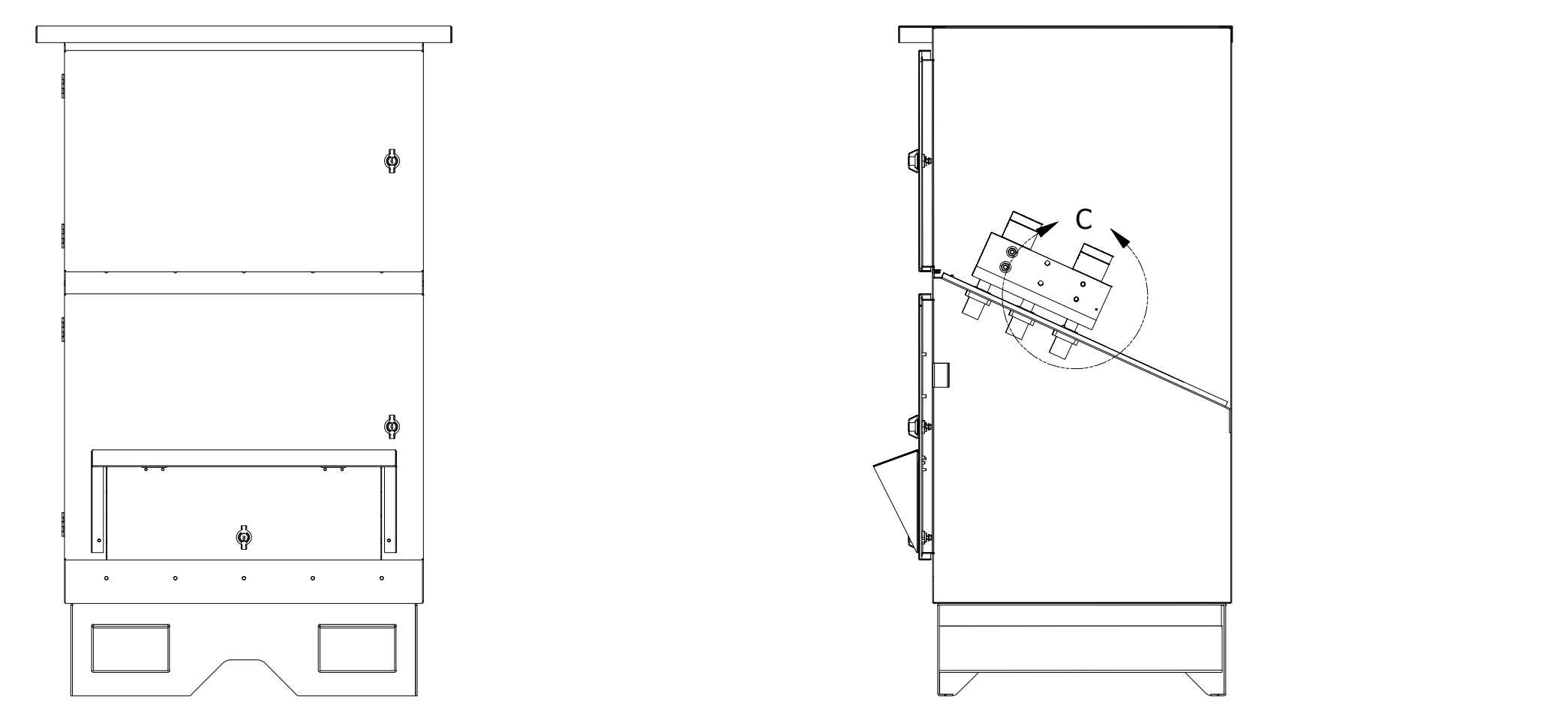
COMPUTER GENERATED DRAWING

THIRD ANGLE PROJECTION

# LUG DETAILS

## 1200 AMP PANEL

## 1600 AMP PANEL

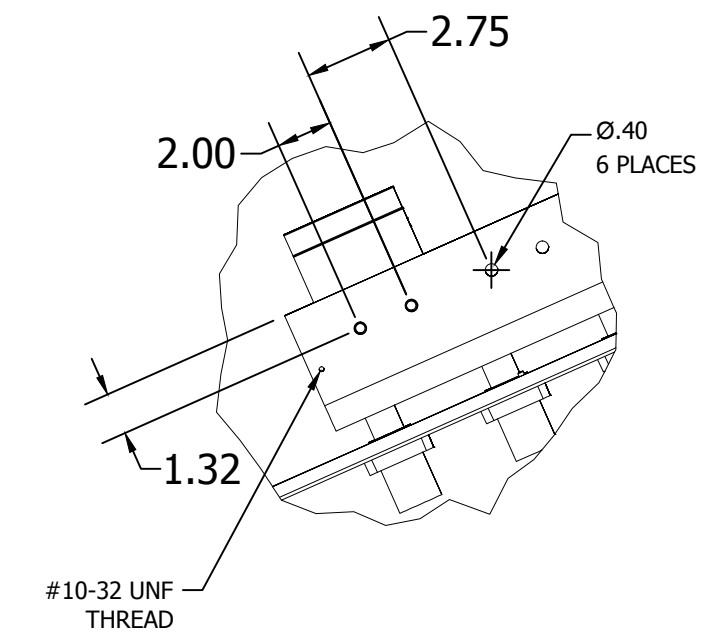
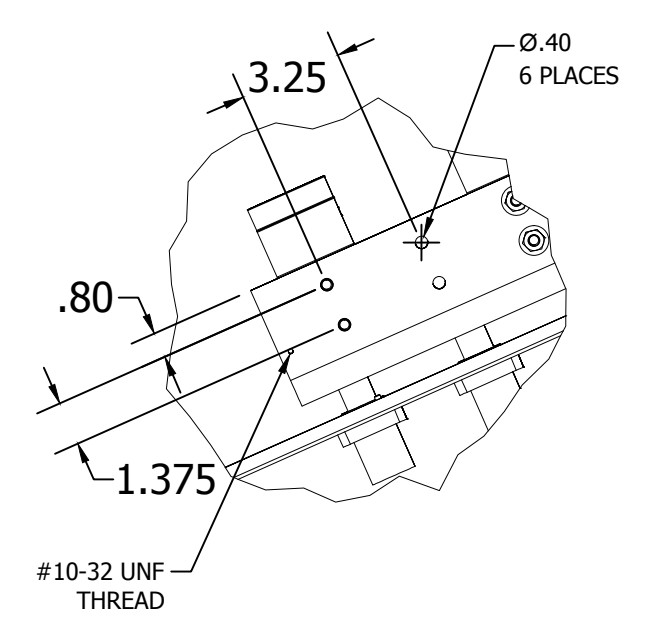


**1200 AMP PANEL NOTES:**

- TERMINALS: SCREW TYPE LUGS FOR EXTERNAL POWER CONNECTIONS  
(4) 1/0 AWG TO 750 MCM PER PHASE, NEUTRAL AND GROUND  
WIRE TIGHTENING TORQUE - 375 INCH POUNDS

**1600 AMP PANEL NOTES:**

- TERMINALS: SCREW TYPE LUGS FOR EXTERNAL POWER CONNECTIONS  
(6) 1/0 AWG TO 750 MCM PER PHASE, NEUTRAL AND GROUND  
WIRE TIGHTENING TORQUE - 375 INCH POUNDS

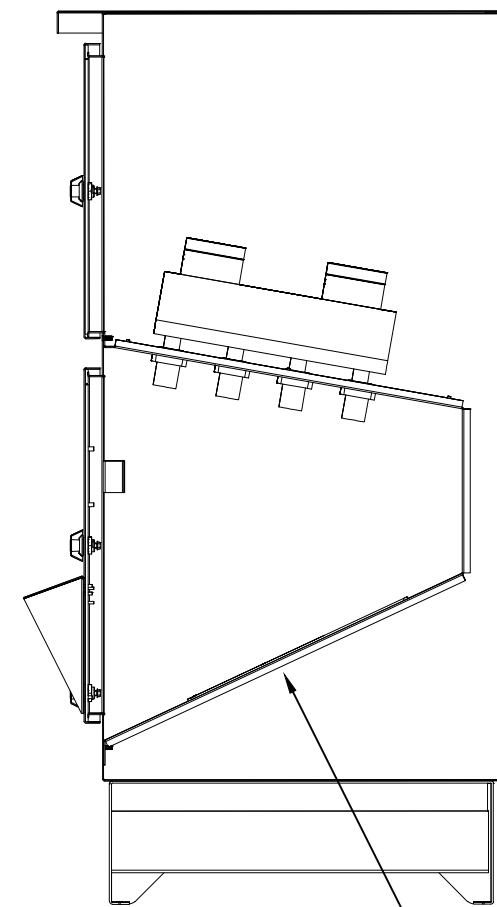
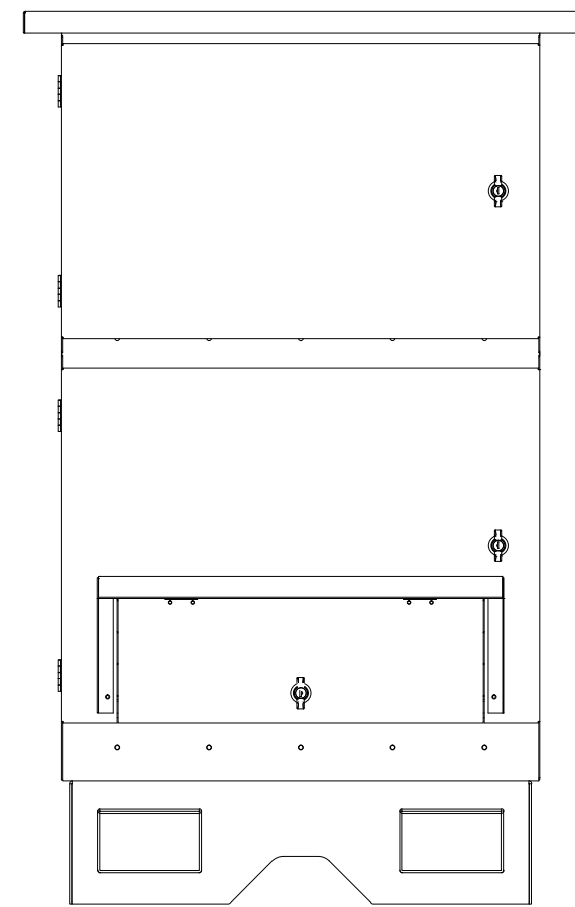


F	275149	MKA	JPB	10/11/18
E	274211	MKA	JPB	09/11/18
D	271086	MKA	JPB	02/16/18
C	270482	JPB	JPB	01/02/18
B	269400	MKA	JPB	10/09/17
A	266986	MKA	JPB	05/09/17
-	266191	MKA	JPB	03/22/17
-	ISSUE			

PROJECT NAME:		REV. TO SHEET	ECN NO.	BY	APP.	DATE
QUICK CONNECT PANEL						
1200 AND 1600 AMPS						
600V MAX, 3PH/3W OR 3PH/4W						
DRAWN BY	DATE	MANUFACTURING TOLERANCES TO BE IN ACCORDANCE WITH ASCO PROCEDURE MP-1-003. FOR PLASTIC PARTS SEE MP-1-005.		ASSEM. REF. NO.	SCALE	SIZE
BY MKA	03/22/17				12	DS
CHECKED		PROPERTY OF ASCO POWER TECHNOLOGIES. USE PERMITTED FOR OUR WORK ONLY. ALL RIGHTS OF DESIGN OR INVENTION ARE RESERVED.			DWG. NO.	
PROJECT APPROVAL					1183675	
FINAL APPROVAL	JPB	03/22/17	ASCO Power Technologies, L.P. FLORHAM PARK, NEW JERSEY 07932 U.S.A.		DRAWING F REV.	ECH NO. 275149 SHEET 2 OF 3

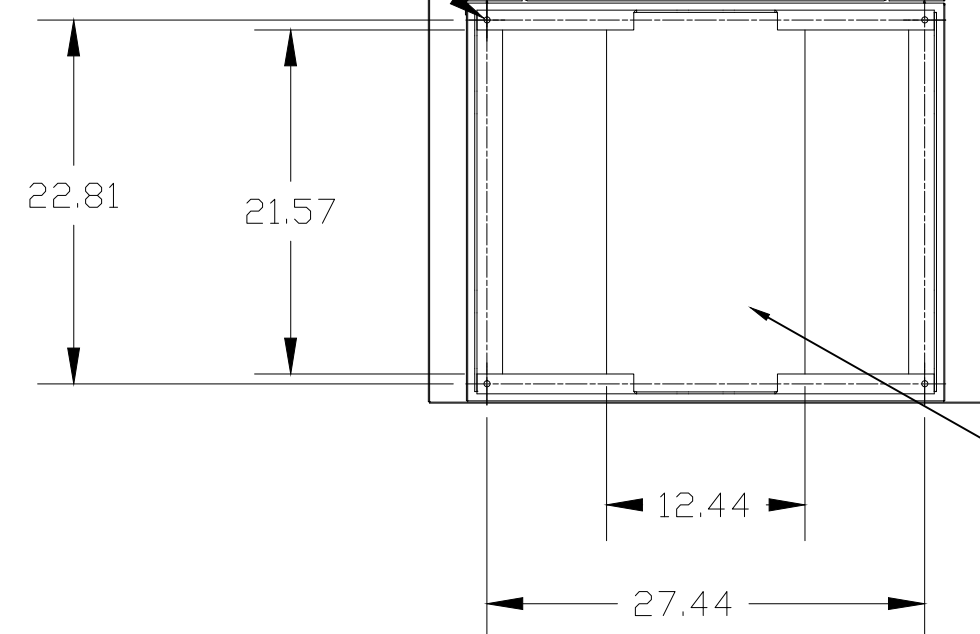
# ACCESSORY 40QC

BOTTOM CONDUIT/CABLE ENTRY.  
(MUST BE SPECIFIED AT TIME OF ORDER ENTRY).



REMOVABLE PANEL FOR ACCESS TO BOTTOM FEED CHAMBER

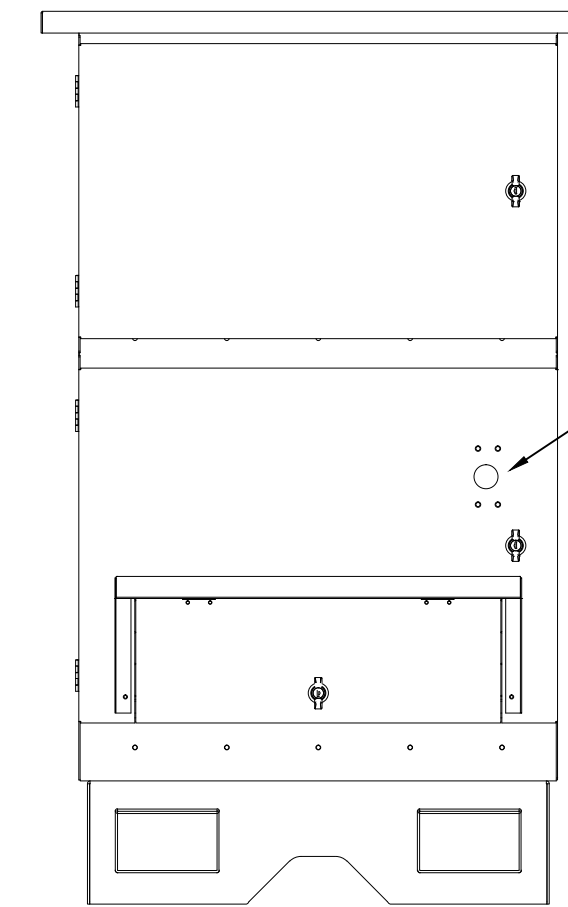
Ø0.37 MOUNTING HOLES (4 PLACES)



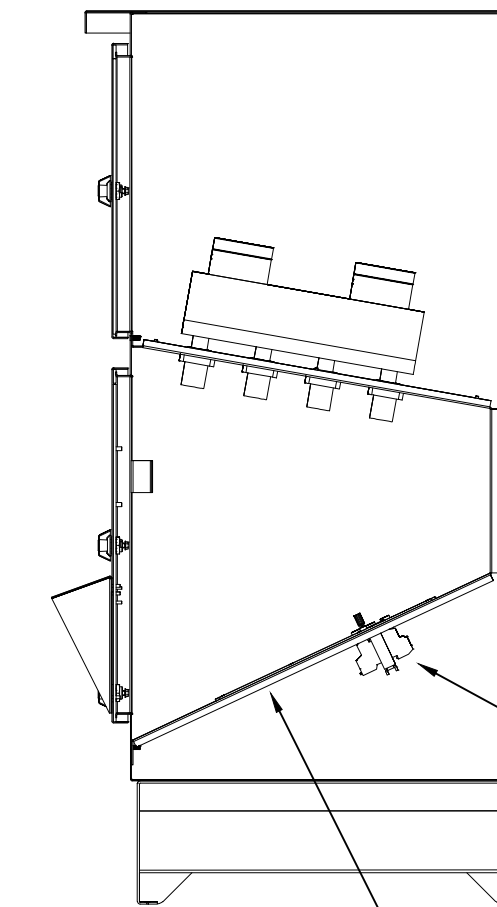
BOTTOM FEED ACCESS AREA

# ACCESSORY 171QC

PHASE ROTATION MONITOR, START/STOP TERMINALS AND FUSES.  
(INCLUDES ACCESSORY 40QC).



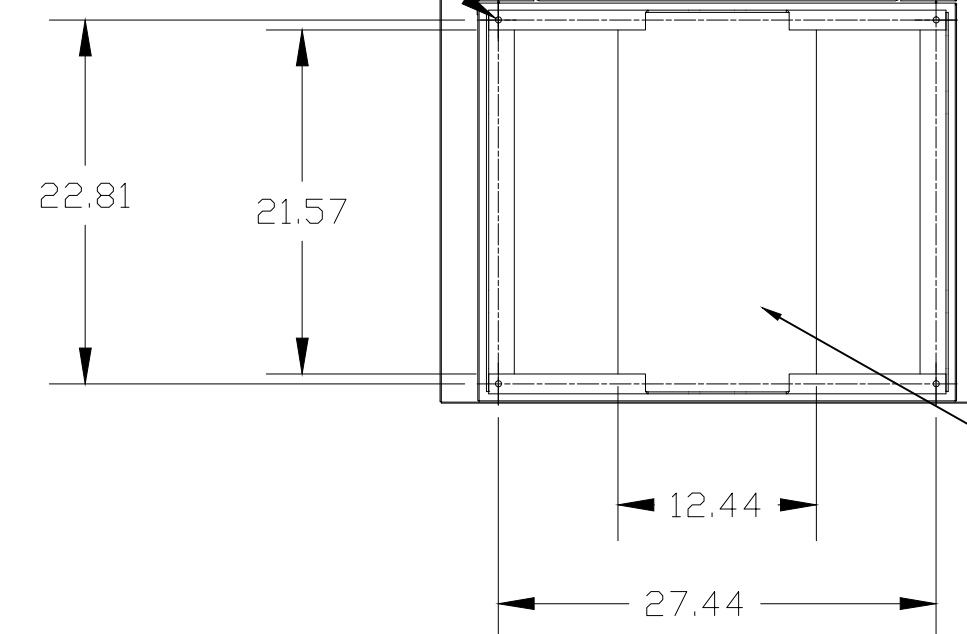
PROVISION FOR TRAP KEY



PHASE ROTATION MONITOR AND START/STOP TERMINALS AND FUSES ON REMOVABLE ACCESS PANEL

REMOVABLE PANEL FOR ACCESS TO BOTTOM FEED CHAMBER

Ø0.37 MOUNTING HOLES (4 PLACES)



BOTTOM FEED ACCESS AREA

**CABLING NOTES:**

- USE PROPER SEALING PROCEDURES TO MAINTAIN TYPE 3R RATING COMPLIANCE.

F	275149	MKA	JPB	10/11/18
	SEE ECN			
E	274211	MKA	JPB	09/11/18
	SEE ECN			
D	271086	MKA	JPB	02/16/18
	SEE ECN			
C	270482	JPB	JPB	01/02/18
	SEE ECN			
B	269400	MKA	JPB	10/09/17
	SEE ECN			
A	266986	MKA	JPB	05/09/17
	SEE ECN			
-	266191	MKA	JPB	03/22/17
	ISSUE			

PROJECT NAME:		REV. TO SHEET	ECN NO.	BY	APP.	DATE
QUICK CONNECT PANEL						
1200 AND 1600 AMPS						
600V MAX, 3PH/3W OR 3PH/4W						
BY	DATE	MANUFACTURING TOLERANCES TO BE IN ACCORDANCE WITH ASCO PROCEDURE MP-1-003. FOR PLASTIC PARTS SEE MP-1-055		ASSEM. REF. NO.	COMPUTER GENERATED DRAWING	
DRAWN BY	MKA	03/22/17			SCALE	12 SIZE DS
CHECKED					PROPERTY OF ASCO POWER TECHNOLOGIES. USE PERMITTED FOR OUR WORK ONLY. ALL RIGHTS OF DESIGN OR INVENTION ARE RESERVED.	
PROJECT APPROVAL					DWG. NO. 1183675	
FINAL APPROVAL	JPB	03/22/17			DRAWING F REV. ECN NO. 275149 SHEET 3 OF 3	

