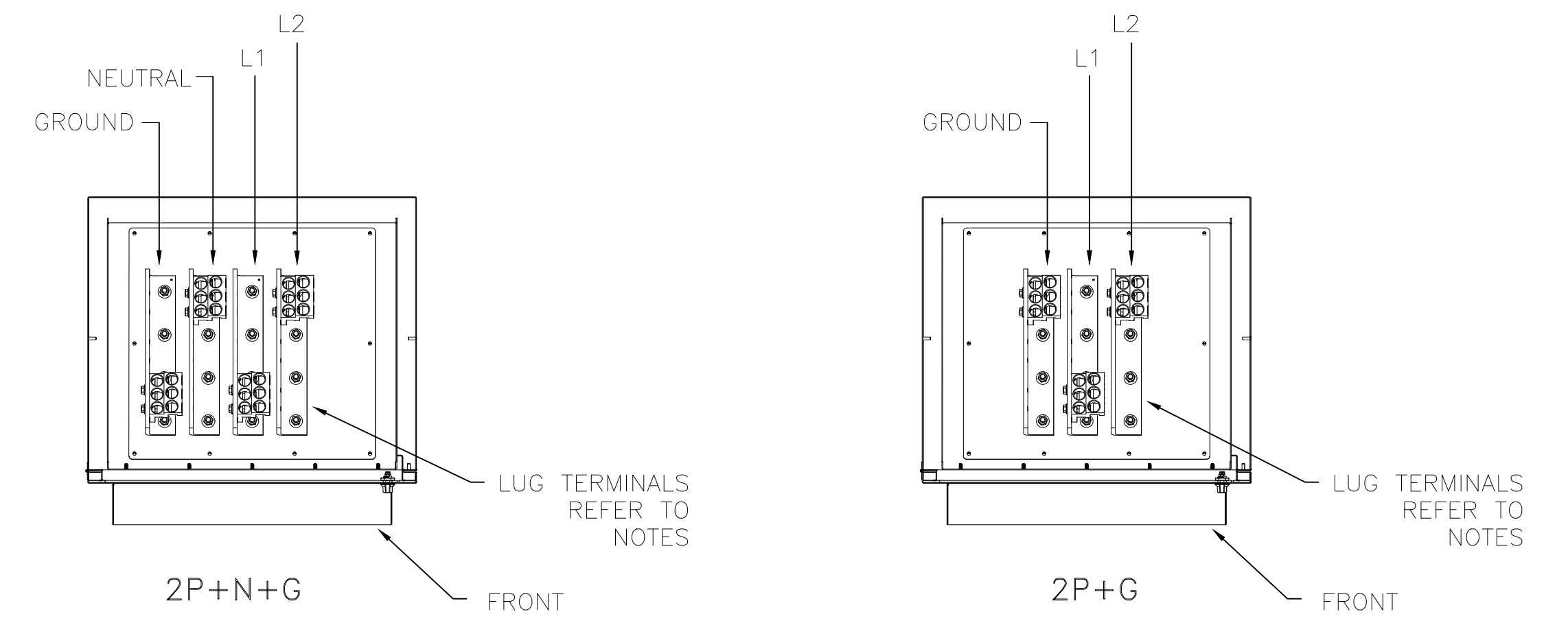
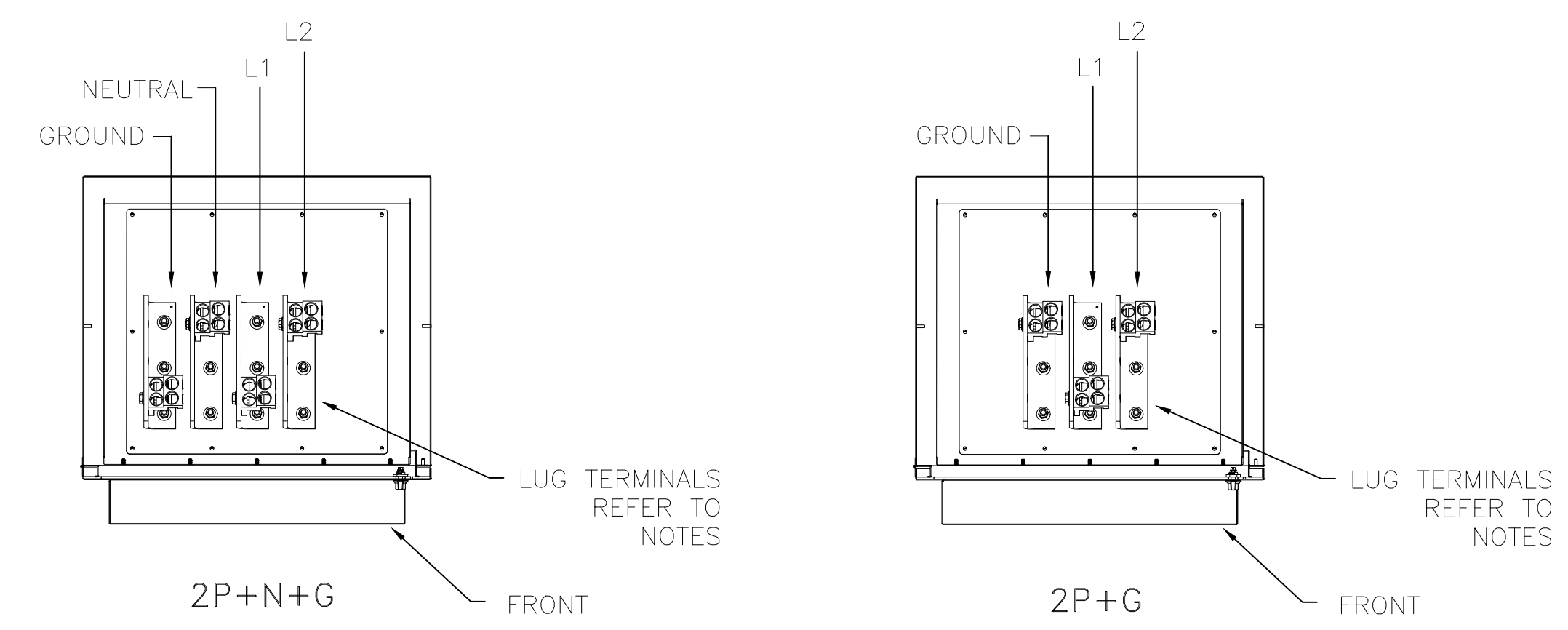
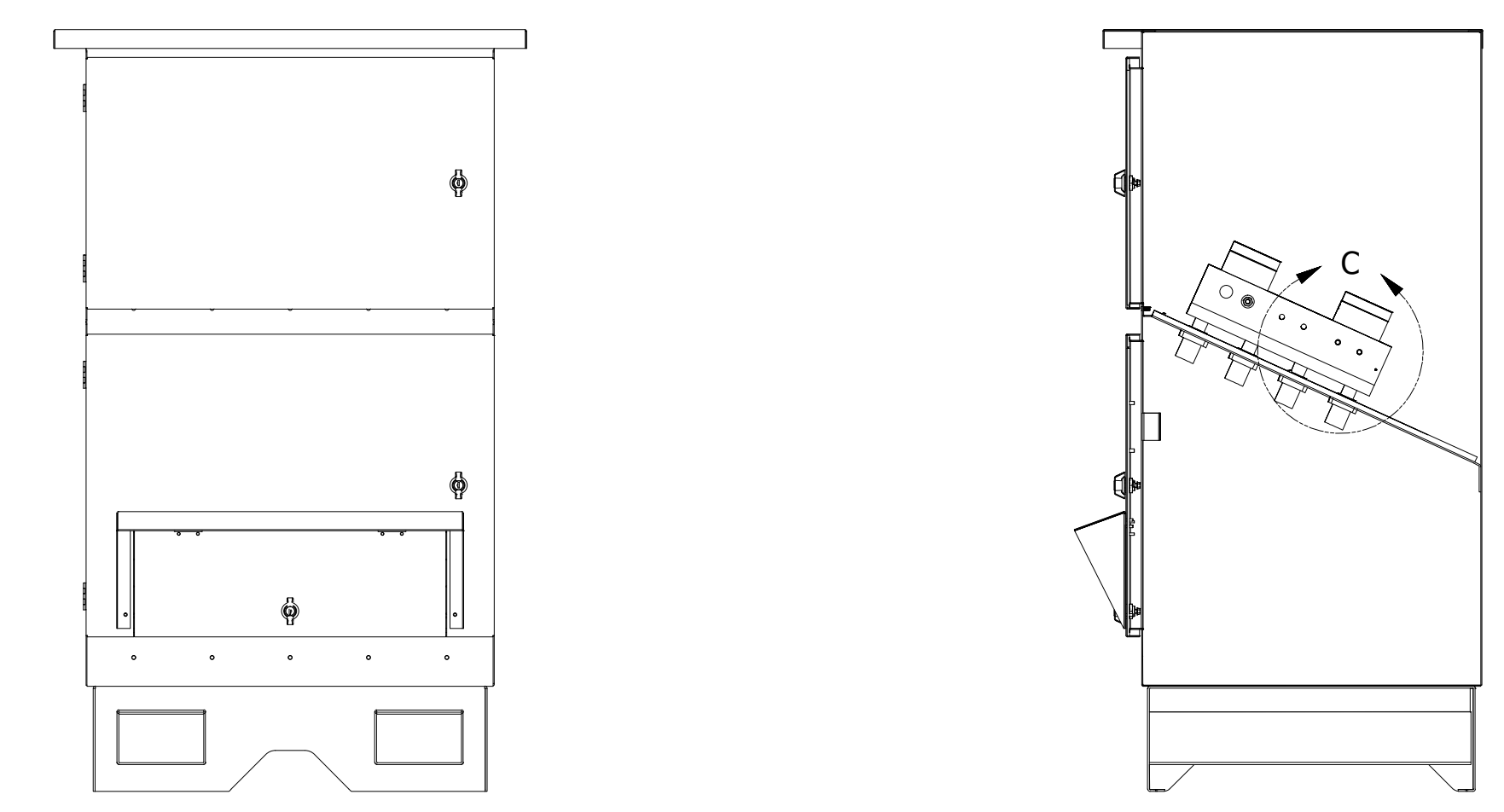
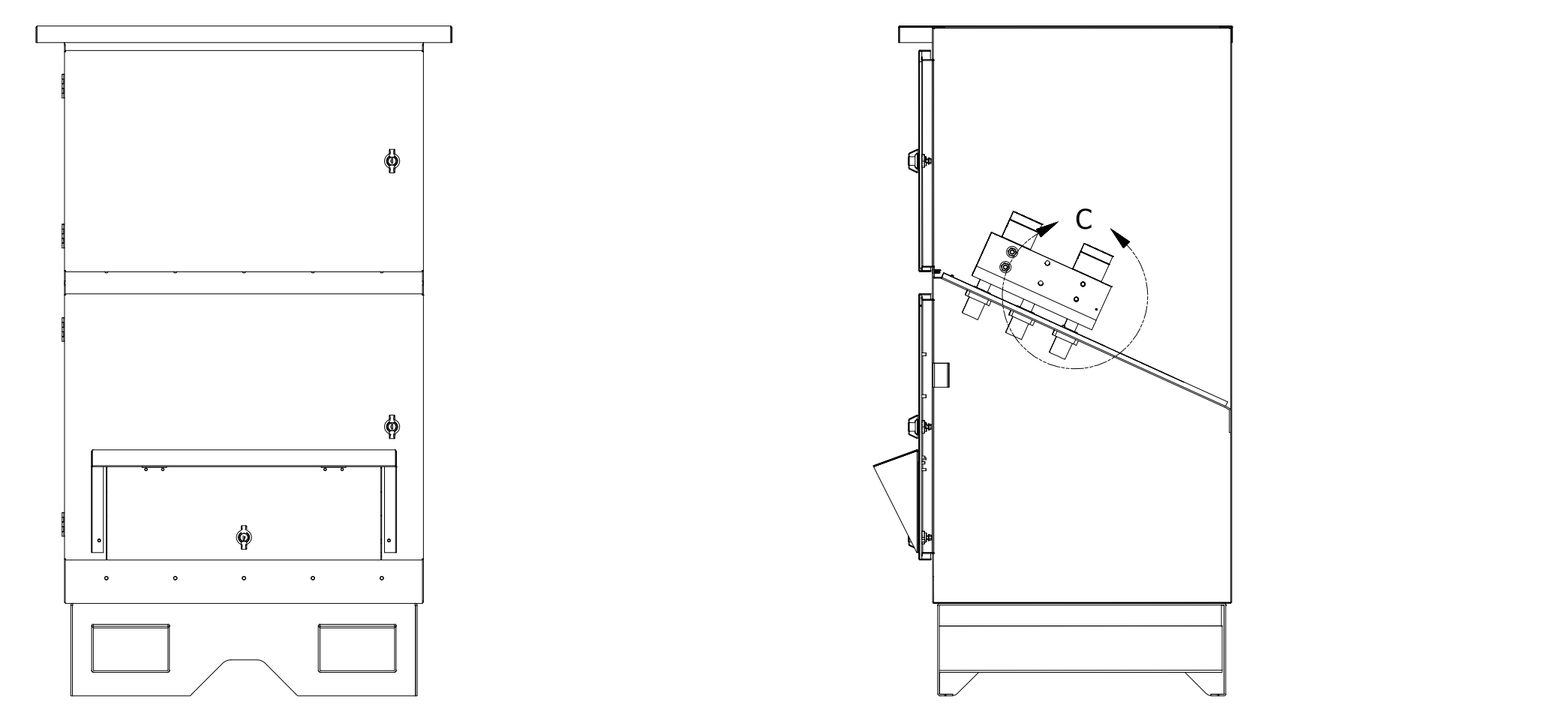




# LUG DETAILS

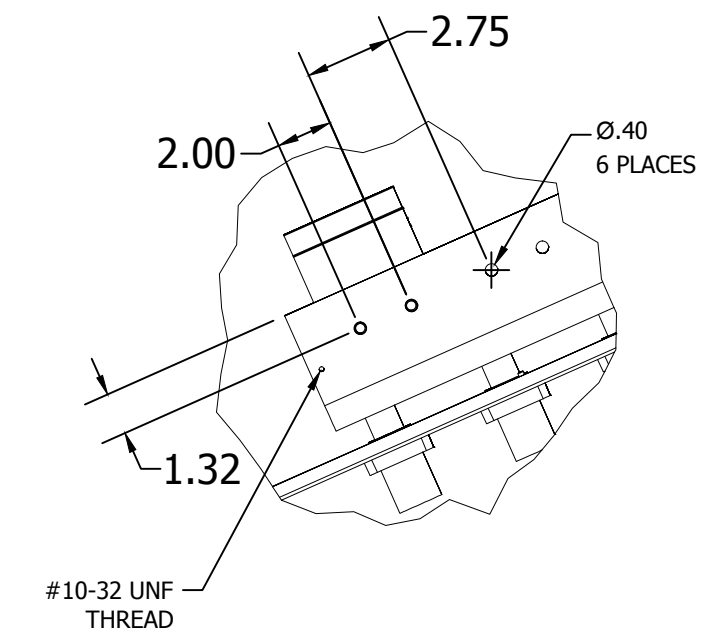
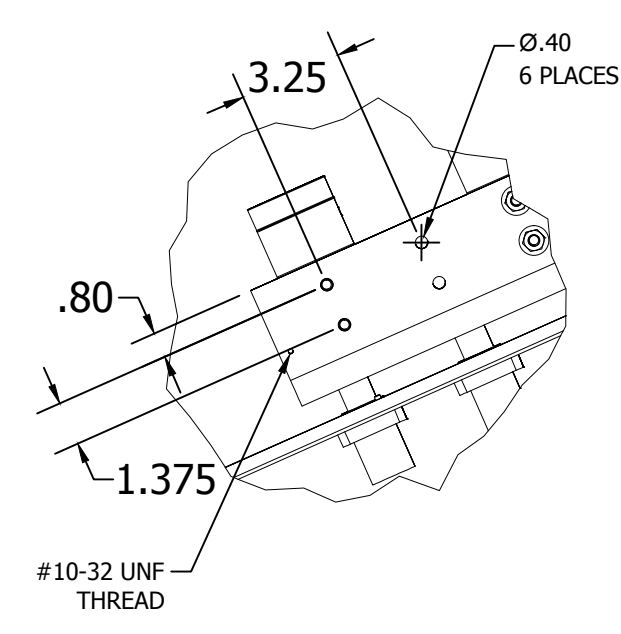
## 1200 AMP PANEL

## 1600 AMP PANEL



**1200 AMP PANEL NOTES:**  
 - TERMINALS: SCREW TYPE LUGS FOR EXTERNAL POWER CONNECTIONS  
 (4) 1/0 AWG TO 750 MCM PER PHASE, NEUTRAL AND GROUND  
 WIRE TIGHTENING TORQUE - 375 INCH POUNDS

**1600 AMP PANEL NOTES:**  
 - TERMINALS: SCREW TYPE LUGS FOR EXTERNAL POWER CONNECTIONS  
 (6) 1/0 AWG TO 750 MCM PER PHASE, NEUTRAL AND GROUND  
 WIRE TIGHTENING TORQUE - 375 INCH POUNDS

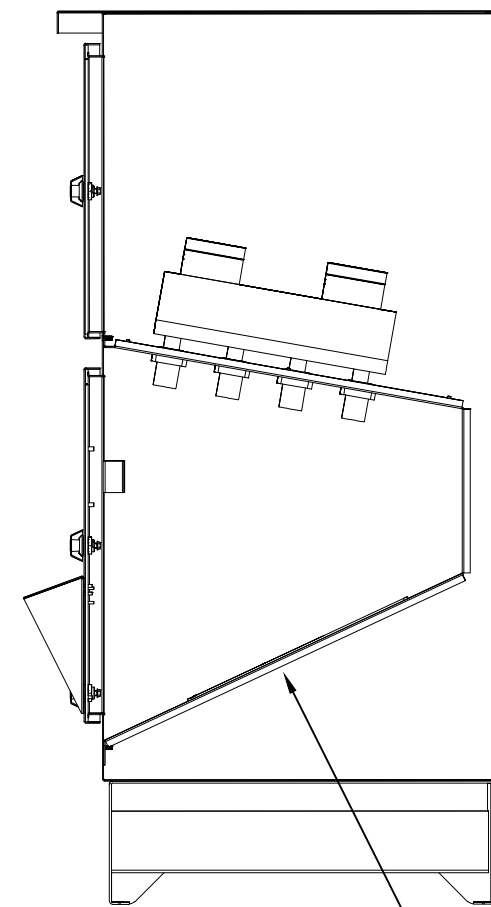
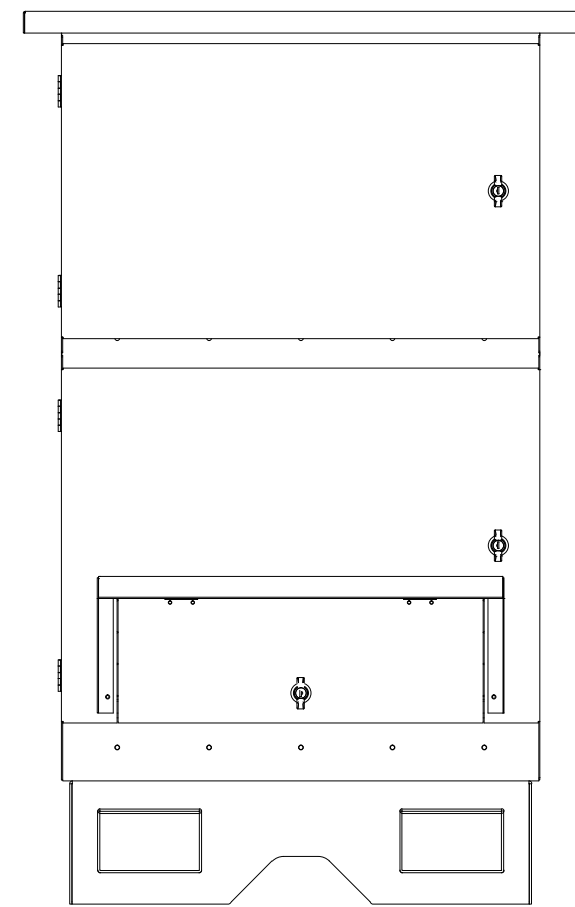


D	275149	MKA	JPB	10/09/18
C	271086	MKA	JPB	02/16/18
B	270482	JPB	JPB	01/02/18
A	269400	MKA	JPB	10/09/17
-	266191	MKA	JPB	03/22/17

PROJECT NAME:		REV. TO SHEET	ECN NO.	BY	APP.	DATE
QUICK CONNECT PANEL						
1200 AND 1600 AMPS						
240V MAX, 1PH/2W OR 1PH/3W						
DRAWN BY	DATE	MANUFACTURING TOLERANCES TO BE IN ACCORDANCE WITH ASCO PROCEDURE MP-1-003. FOR PLASTIC PARTS SEE MP-1-005.		ASSEM. REF. NO.	COMPUTER GENERATED DRAWING	
CHECKED					SCALE	12 SIZE DS
PROJECT APPROVAL		PROPERTY OF ASCO POWER TECHNOLOGIES. USE PERMITTED FOR OUR WORK ONLY. ALL RIGHTS OF DESIGN OR INVENTION ARE RESERVED.			DWG. NO. 1183607	
FINAL APPROVAL	JPB 03/22/17	ASCO POWER TECHNOLOGIES, L.P. FLORHAM PARK, NEW JERSEY 07932 U.S.A.			DRAWING D REV.	ECN NO. 275149 SHEET 2 OF 3

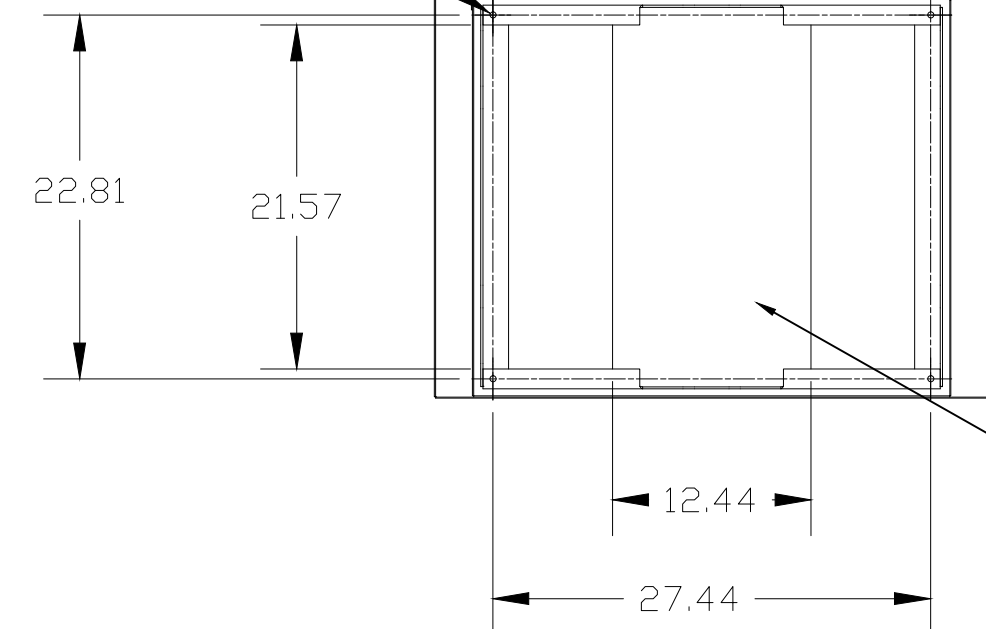
# ACCESSORY 40QC

BOTTOM CONDUIT/CABLE ENTRY.  
(MUST BE SPECIFIED AT TIME OF ORDER ENTRY).



REMOVABLE PANEL FOR ACCESS TO BOTTOM FEED CHAMBER

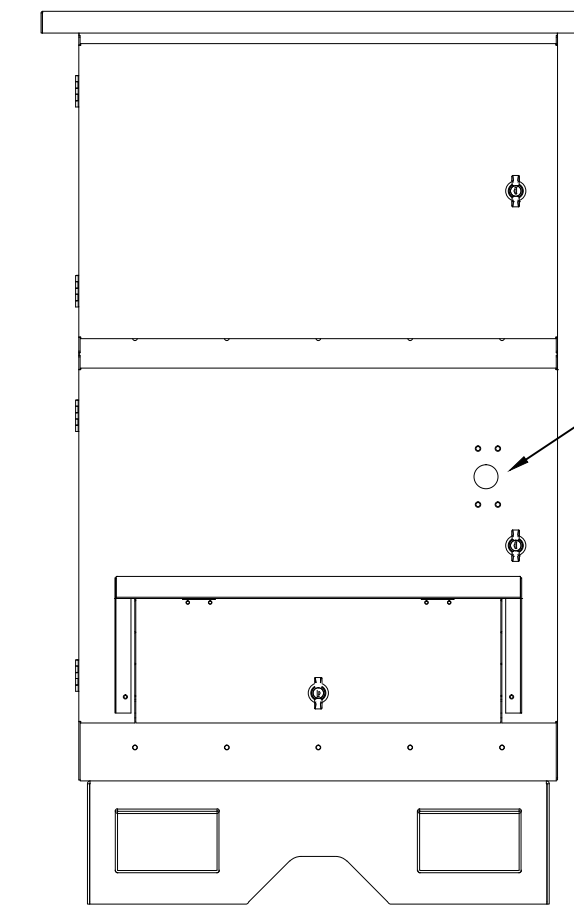
Ø0.37 MOUNTING HOLES (4 PLACES)



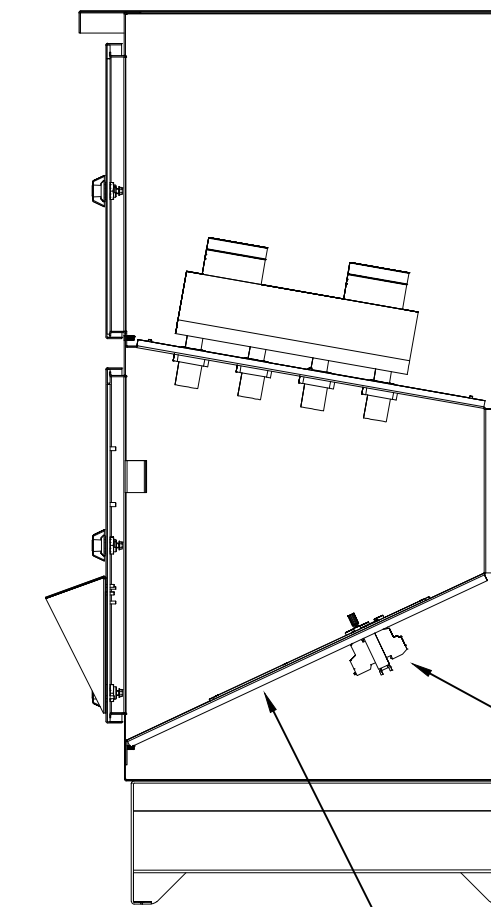
BOTTOM FEED ACCESS AREA

# ACCESSORY 171QC

PHASE ROTATION MONITOR, START/STOP TERMINALS AND FUSES.  
(INCLUDES ACCESSORY 40QC).



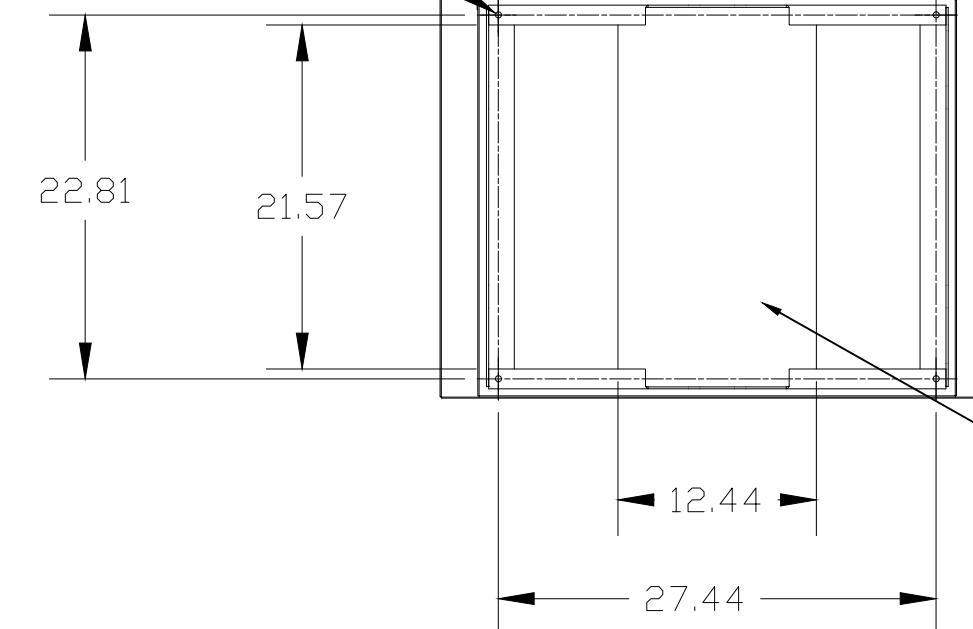
PROVISION FOR TRAP KEY



PHASE ROTATION MONITOR AND START/STOP TERMINALS AND FUSES ON REMOVABLE ACCESS PANEL

REMOVABLE PANEL FOR ACCESS TO BOTTOM FEED CHAMBER

Ø0.37 MOUNTING HOLES (4 PLACES)



BOTTOM FEED ACCESS AREA

**CABLING NOTES:**

- USE PROPER SEALING PROCEDURES TO MAINTAIN TYPE 3R RATING COMPLIANCE.

D	275149	MKA	JPB	10/09/18
C	271086	MKA	JPB	02/16/18
B	270482	JPB	JPB	01/02/18
A	269400	MKA	JPB	10/09/17
-	266191	MKA	JPB	03/22/17

PROJECT NAME:		REV. TO SHEET	ECN NO.	BY	APP.	DATE
QUICK CONNECT PANEL						
1200 AND 1600 AMPS						
240V MAX, 1PH/2W PR 1PH/3W						
DRAWN BY	DATE	MANUFACTURING TOLERANCES TO BE IN ACCORDANCE WITH ASCO PROCEDURE MP-1-003. FOR PLASTIC PARTS SEE MP-1-055		ASSEM. REF. NO.	COMPUTER GENERATED DRAWING	
CHECKED		PROPERTY OF ASCO POWER TECHNOLOGIES. USE PERMITTED FOR OUR WORK ONLY. ALL RIGHTS OF DESIGN OR INVENTION ARE RESERVED.			SCALE	SIZE DS
PROJECT APPROVAL					DWG. NO. 1183607	
FINAL APPROVAL	JPB 03/22/17	ASCO® ASCO POWER TECHNOLOGIES, L.P. FLORHAM PARK, NEW JERSEY 07932 U.S.A.			DRAWING D REV.	ECN NO. 275149 SHEET 3 OF 3