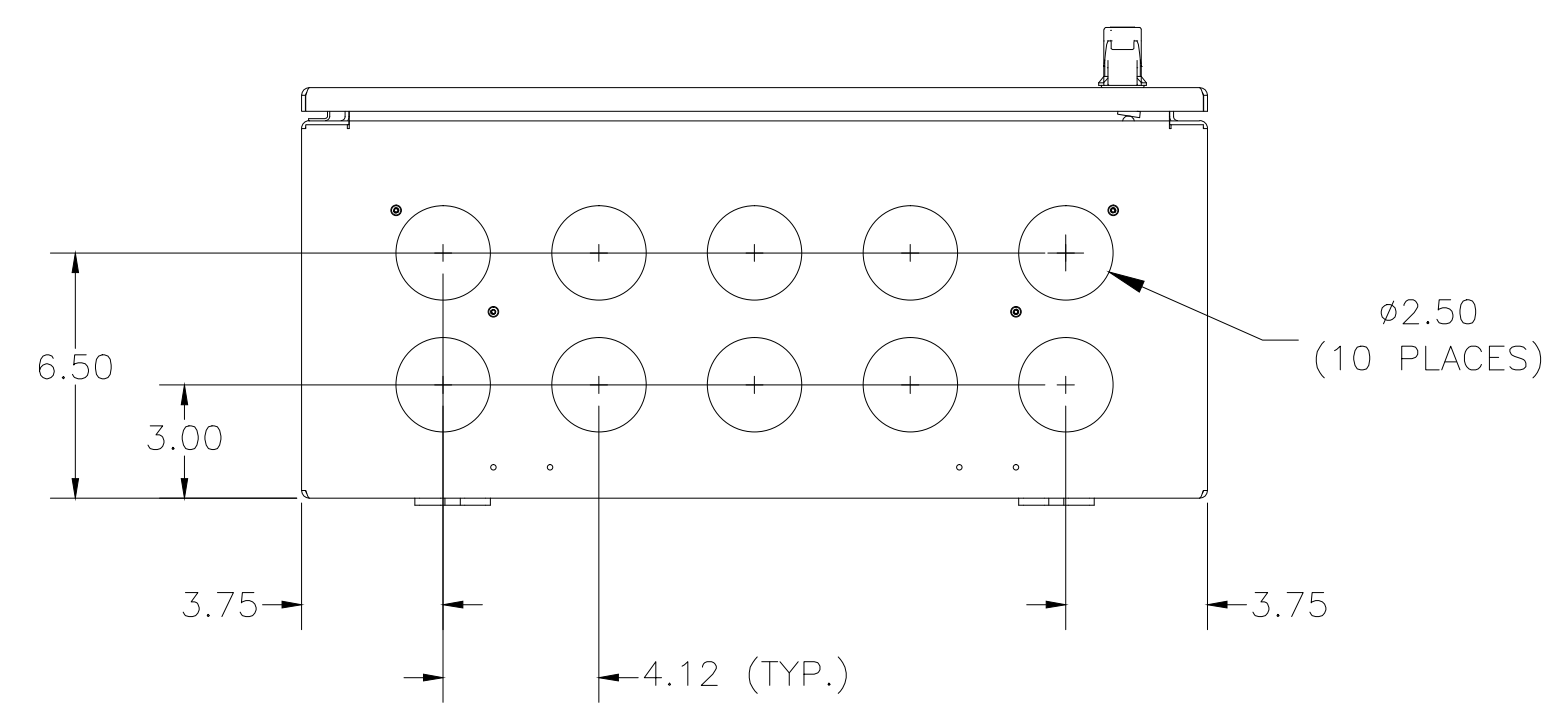


FRONT VIEW
HINGED COVER REMOVED FOR CLARITY



- NOTES:**
- 1) INLET PANELS:**
 - FOR USE ONLY FOR CONNECTION OF A GENERATOR TO THE SOURCE TERMINALS OF A TRANSFER SWITCH, SUCH THAT THE INLETS ARE ENERGIZED FROM THE GENERATOR
 - ETL LISTED TO UL1008, TRANSFER SWITCH ACCESSORY
 - 2) OUTLET PANELS:**
 - FOR CONNECTION OF A LOAD BANK TO A POWER SOURCE
 - ETL LISTED TO UL891
 - 3) PANEL RATINGS:** 240V MAX, 50/60 Hz, 400A AND 800A, 1PH/2W OR 1PH/3W
 - 4) SHORT CIRCUIT RATING:** 10K RMS SYMMETRICAL AMPS, 600 VAC MAX., 50 mS
 - 5) ENCLOSURE:**
 - RATING - TYPE 3R CONSTRUCTION, FOR OUTDOOR USE ONLY
 - FINISH - ANSI 61 GREY

- OPTIONAL ACCESSORIES:**
- ACC. 147QC - COLOR CODING FOR CANADIAN CAMLOK CONNECTORS
 - SINGLE PHASE: RED (PHASE L1), BLK (PHASE L2), NEUT. WHEN REQUIRED (WHT)
 - ACC. 171QC - PHASE ROTATION MONITOR, FUSES, ENGINE START TERMINAL POST AND PROVISION FOR TRAP KEY. (REFER TO PAGE 4 OF 4 FOR ACC. 171QC DETAILS)

- SITE PREP:**
- PREPARE INSTALLATION SITE ACCORDING TO LOCAL CODES
 - SURFACE TO WHICH PANEL IS TO BE INSTALLED MUST BE CAPABLE OF SUPPORTING THE WEIGHT OF THE PANEL AS WELL AS THE WEIGHT OF THE CABLES ATTACHED TO IT.
 - * 400 AMP QUICK CONNECT PANEL 55 LBS.
 - * 800 AMP QUICK CONNECT PANEL 65 LBS.
 - PROPER CLEARANCE MUST BE ALLOWED IN FRONT OF THE PANEL, NO LESS THAN SIX (6) FEET FROM THE FACE OF THE PANEL

- INSTALLATION:**
- PANEL INSTALLATION IS TO BE CARRIED OUT BY QUALIFIED PERSONNEL IN ACCORDANCE WITH THE NATIONAL ELECTRICAL CODE AND LOCAL CODES.
 - THE QUICK CONNECT PANEL IS TO BE LOCATED SO THERE IS ADEQUATE ROOM FOR THE EXTERNALLY CONNECTED CABLES TO HANG BELOW THE PANEL.
 - * A MINIMUM CLEARANCE OF 36" IS REQUIRED FROM THE BOTTOM OF THE PANEL TO THE FINISHED GROUND LEVEL
 - THE QUICK CONNECT PANEL IS TO BE FASTENED TO AN EXTERNAL WALL USING 3/8" DIA. FASTENERS.
 - * THE PANEL MUST BE LEVEL AND PLUMB TO ALLOW FOR PROPER DRAINAGE FROM THE PANEL WEEP HOLES.

CATALOG NUMBER										EXPLANATION OF CATALOG NUMBER CODES											
CATALOG TYPE	INPUT/OUTPUT	CONNECTOR TYPE	GROUND	NEUTRAL TYPE	POLES	AMPS	VOLT CODE	BLANK	OPTIONAL ACCESSORY	ENCLOSURE CODE	INPUT/OUTPUT CODE	CONNECTOR TYPE CODE	GROUND TYPE CODE	NEUTRAL TYPE CODE	VOLTAGE CODES		OPTIONAL ACCESSORY CODE	ENCLOSURE CODES			
															CODE	NOMINAL VOLTAGE	COLOR CODE	CODE	TYPE	DESCRIPTION	
3QC	N U	C	A N	O A	2	400 800	F	0	0 X Z	F S	N=INPUT U=OUTPUT	C=CAMLOCK	A=100% N=25%	GREEN A=100% WHITE	F	240	BLK,RED	0=STANDARD X=ACCESSORY Z=SPECIAL	F S	3R 3R	SECURE ENCLOSURE OUTDOOR, RAINPROOF, SLEET & ICE RESISTANT (ALUMINUM) SECURE ENCLOSURE OUTDOOR, RAINPROOF, SLEET & ICE RESISTANT (316 STAINLESS STEEL)

C	275149	MKA	JPB	10/09/18
B	270482	JPB	JPB	01/02/18
A	269400	MKA	JPB	10/09/17
-	266191	MKA	JPB	03/22/17
				ISSUE

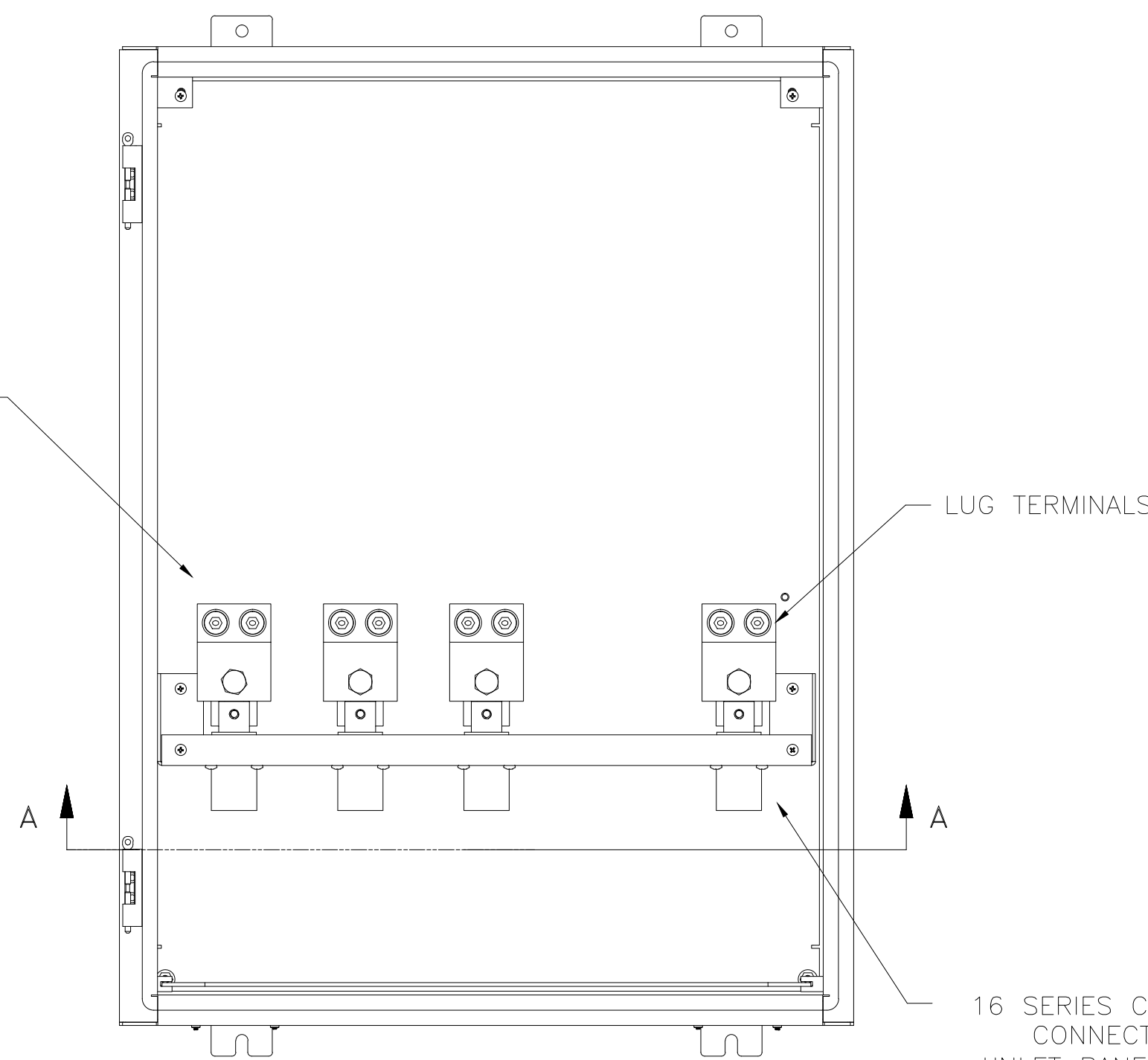
PROJECT NAME: QUICK CONNECT PANEL
400 AND 800 AMPS
240V MAX, 1PH/2W OR 1PH/3W

BY	DATE	MANUFACTURING TOLERANCES TO BE IN ACCORDANCE WITH ASCO PROCEDURE MP-1-003. FOR PLASTIC PARTS SEE MP-1-055	ASSEM. REF. NO.
MKA	03/22/17		
CHECKED		PROPERTY OF ASCO POWER TECHNOLOGIES. USE PERMITTED FOR OUR WORK ONLY. ALL RIGHTS OF DESIGN OR INVENTION ARE RESERVED.	SCALE
PROJECT APPROVAL			12
FINAL APPROVAL	JPB	03/22/17	SIZE DS

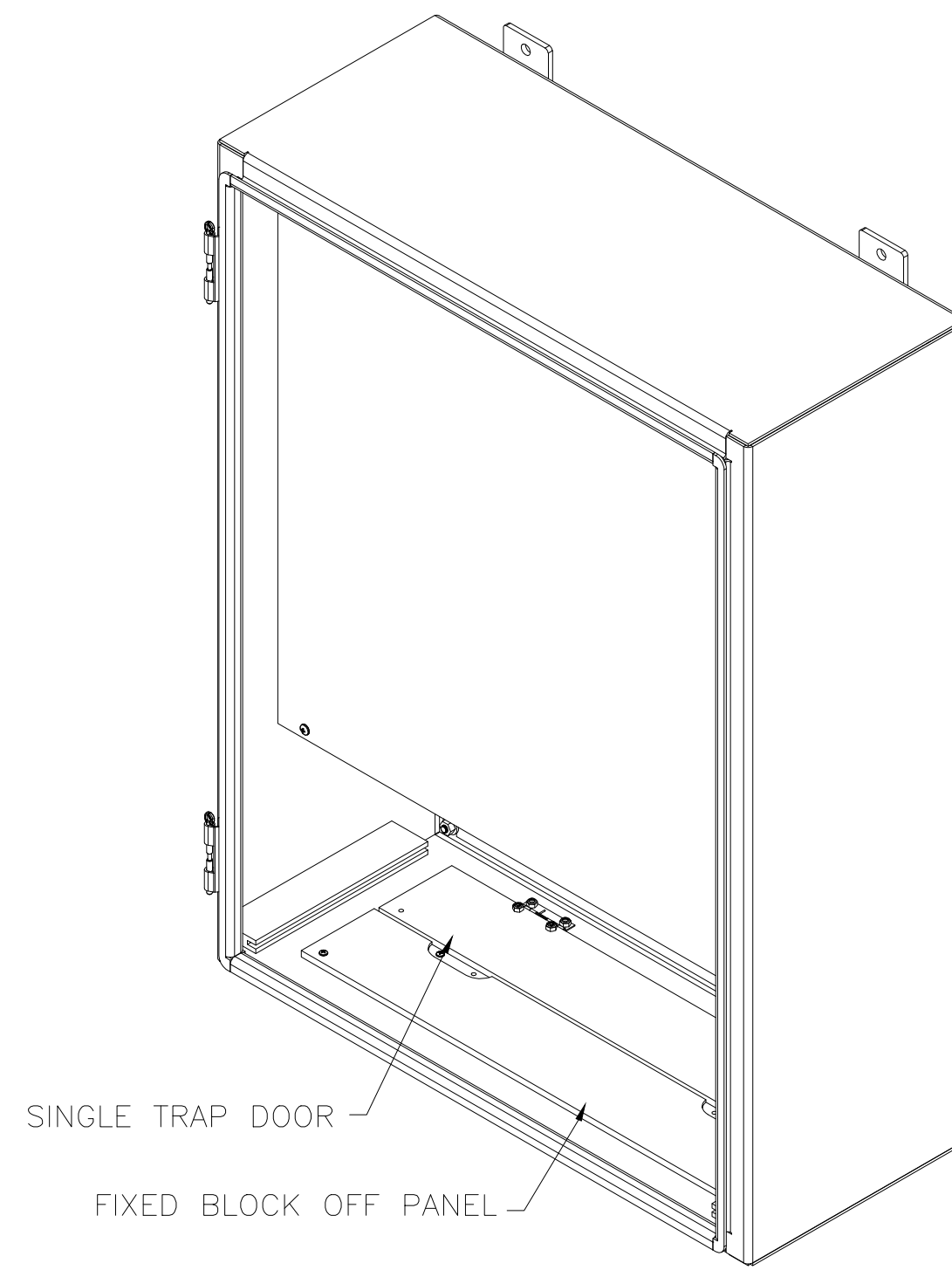
COMPUTER GENERATED DRAWING
DWG. NO. 1183438
DRAWING C ECH NO. 275149 SHEET 1 OF 4

400 AMP QUICK CONNECT PANEL

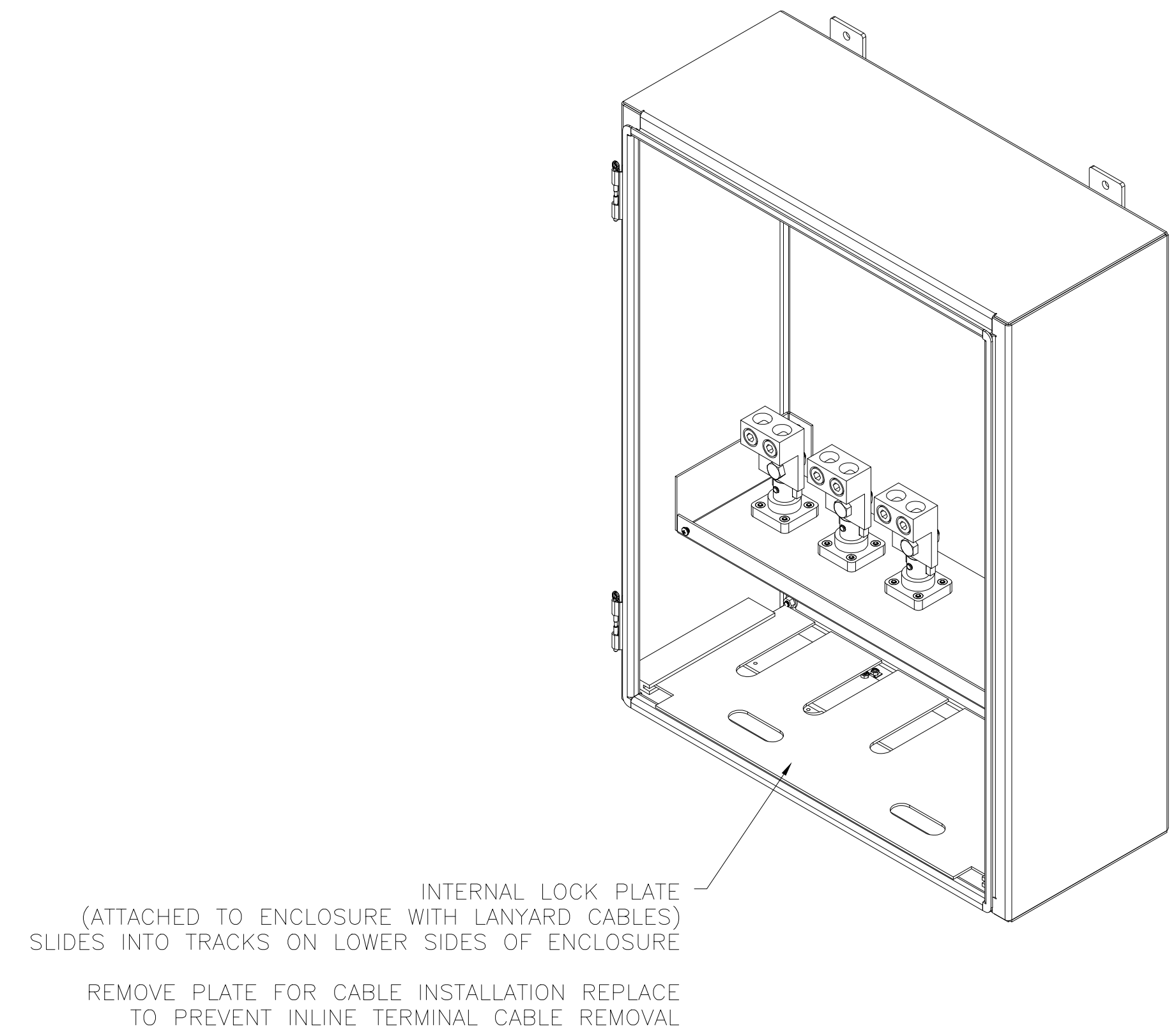
SHOWN WITH 3 WIRE CONFIGURATION
SEE DETAIL VIEWS FOR 2 WIRE & 3 WIRE CONFIGURATION



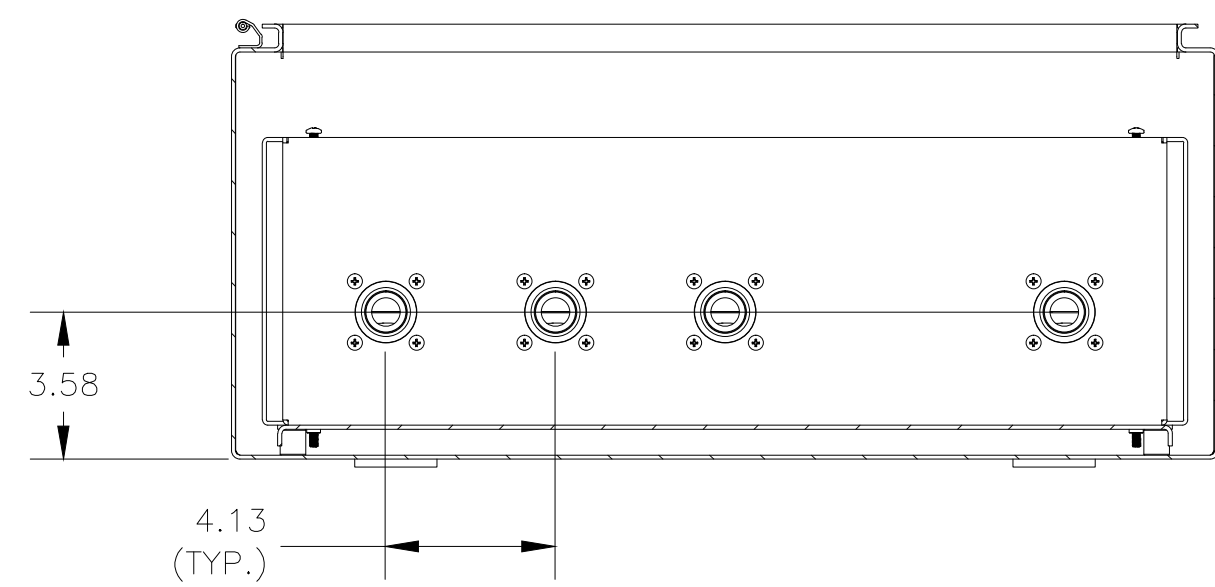
FRONT VIEW
HINGED COVER AND DEADFRONT PANEL REMOVED FOR CLARITY



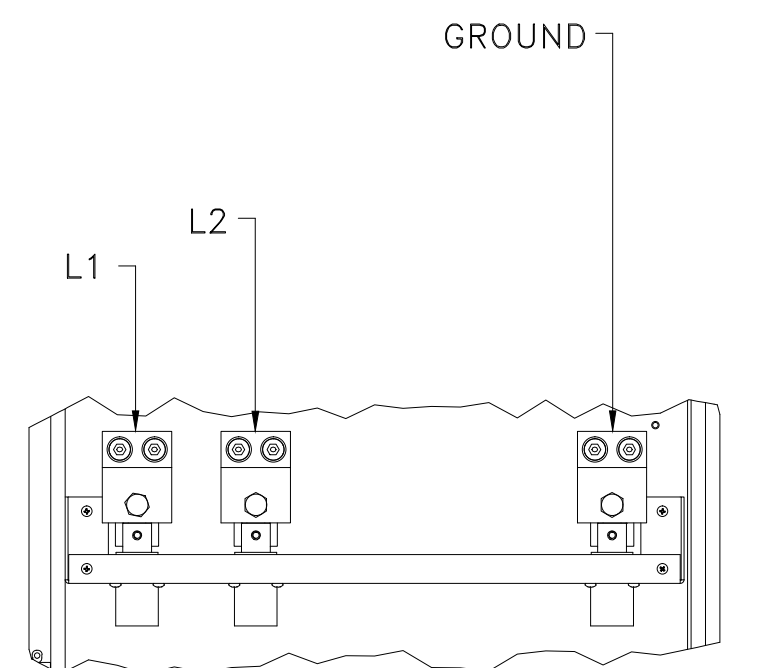
SHOWN WITH HINGED COVER REMOVED



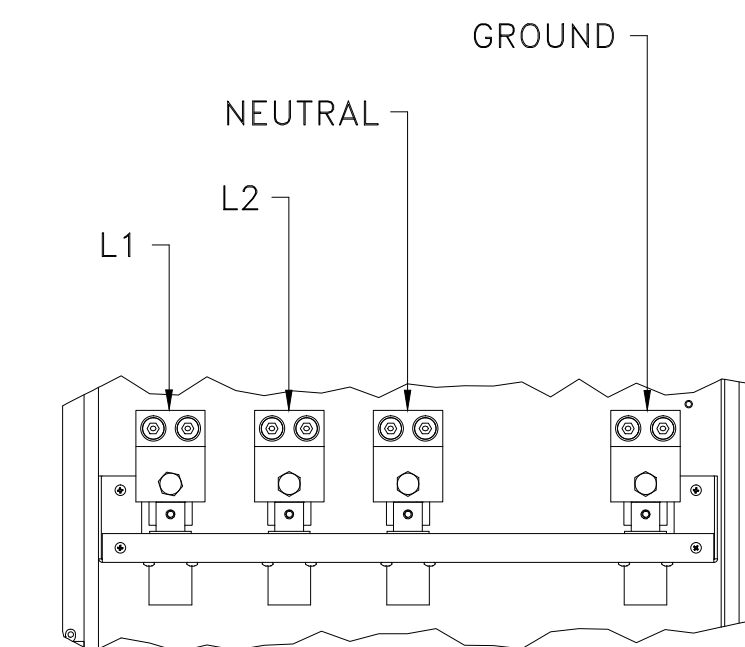
SHOWN WITH HINGED COVER AND DEADFRONT PANEL REMOVED



SECTION A-A



DETAIL - 2 WIRE
2P+G



DETAIL - 3 WIRE
2P+N+G

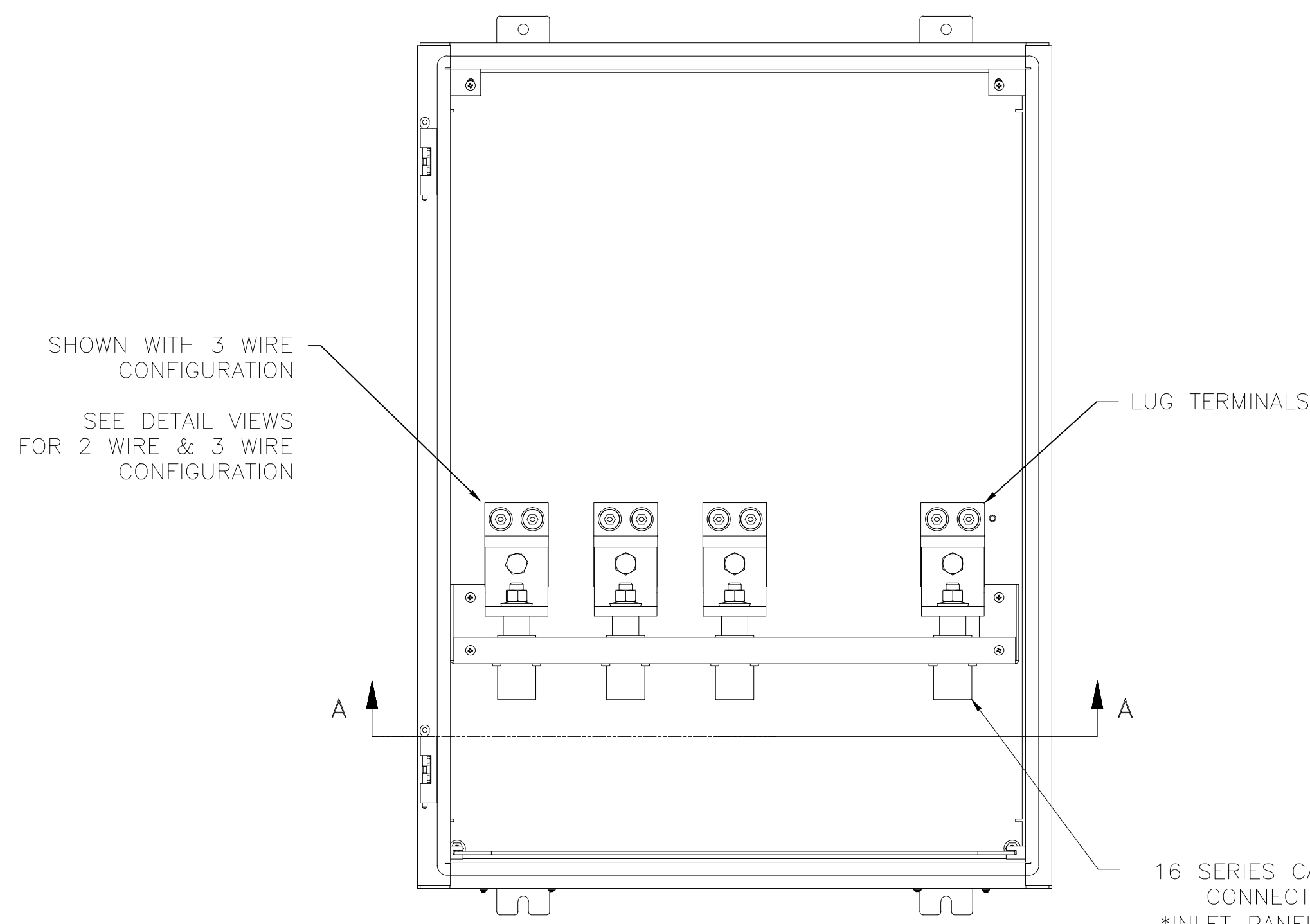
CABLING:

- CONDUIT/CABLE ENTRY IS TO BE THROUGH THE TOP OF THE PANEL, USING PROPER SEALING PROCEDURES TO MAINTAIN TYPE 3R RATING COMPLIANCE.
- TERMINALS:
SCREW TYPE LUGS FOR EXTERNAL POWER CONNECTIONS
(2) #2 AWG TO 600 MCM PER PHASE, NEUTRAL AND GROUND
- MAXIMUM OF (4) 16 SERIES CAM LOCK CONNECTORS.

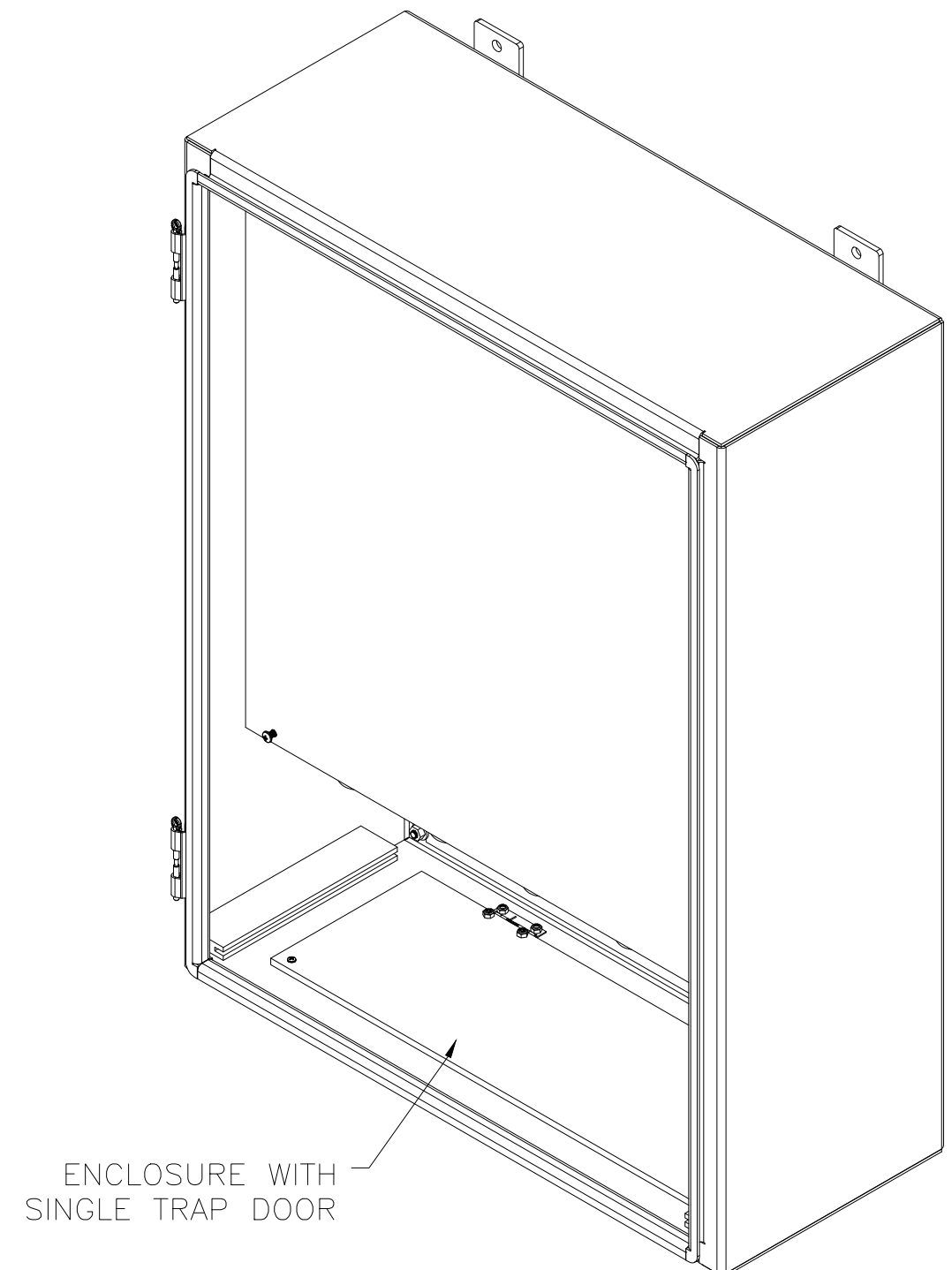
C	275149	MKA	JPB	10/09/18
	SEE ECN			
B	270482	JPB	JPB	01/02/18
	SEE ECN			
A	269400	MKA	JPB	10/09/17
	SEE ECN			
-	266191	MKA	JPB	03/22/17
	ISSUE			

PROJECT NAME:		REV. TO SHEET	ECN NO.	BY	APP.	DATE
QUICK CONNECT PANEL						
400 AND 800 AMPS						
240V MAX, 1PH/2W OR 1PH/3W						
BY	DATE	MANUFACTURING TOLERANCES TO BE IN ACCORDANCE WITH ASCO PROCEDURE MP-1-003. FOR PLASTIC PARTS SEE MP-1-055		ASSEM. REF. NO.	SCALE	SIZE
DRAWN BY	MKA	03/22/17			12	DS
CHECKED			PROPERTY OF ASCO POWER TECHNOLOGIES. USE PERMITTED FOR OUR WORK ONLY. ALL RIGHTS OF DESIGN OR INVENTION ARE RESERVED.		DWG. NO.	
PROJECT APPROVAL					1183438	
FINAL APPROVAL	JPB	03/22/17	ASCO POWER TECHNOLOGIES, L.P. FLORHAM PARK, NEW JERSEY 07932 U.S.A.		DRAWING C	ECH NO. 275149
						SHEET 2 OF 4

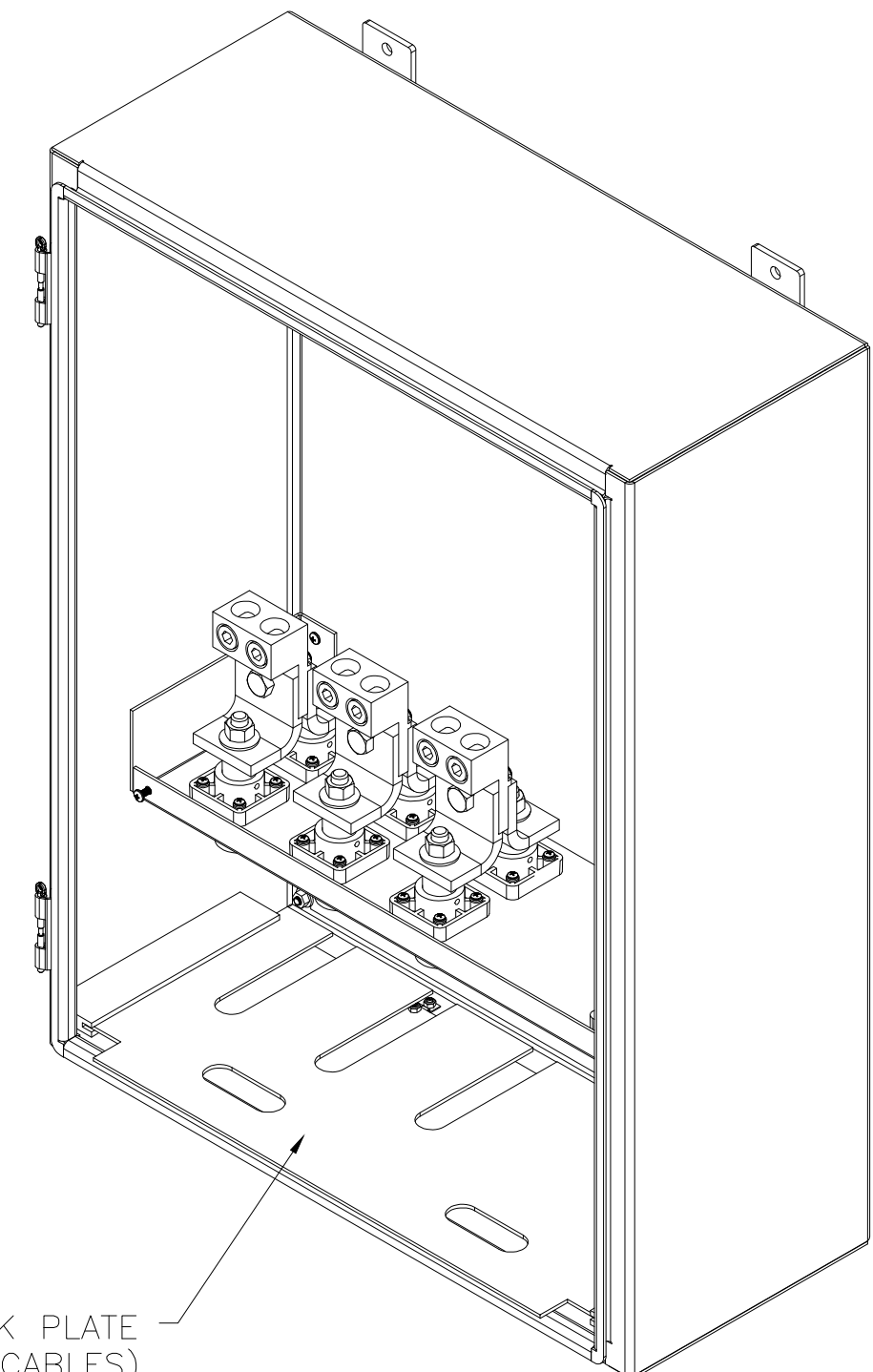
800 AMP QUICK CONNECT PANEL



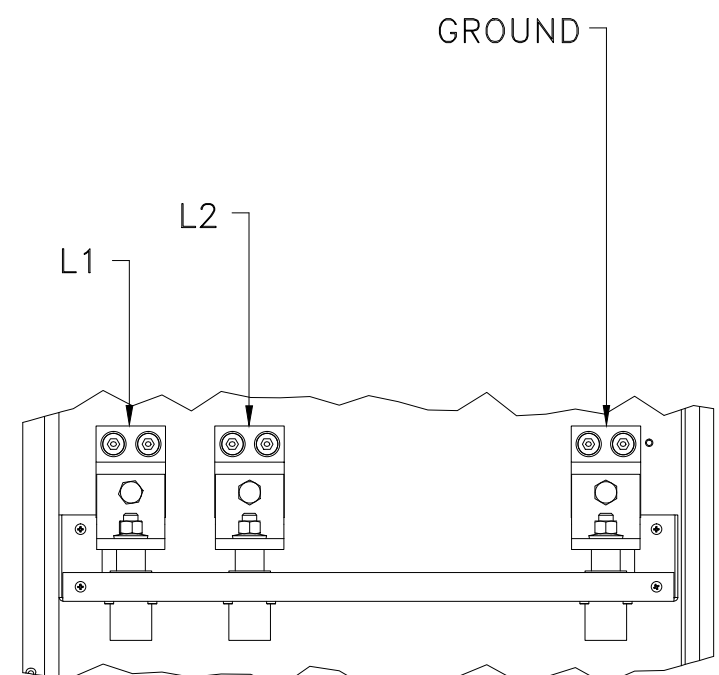
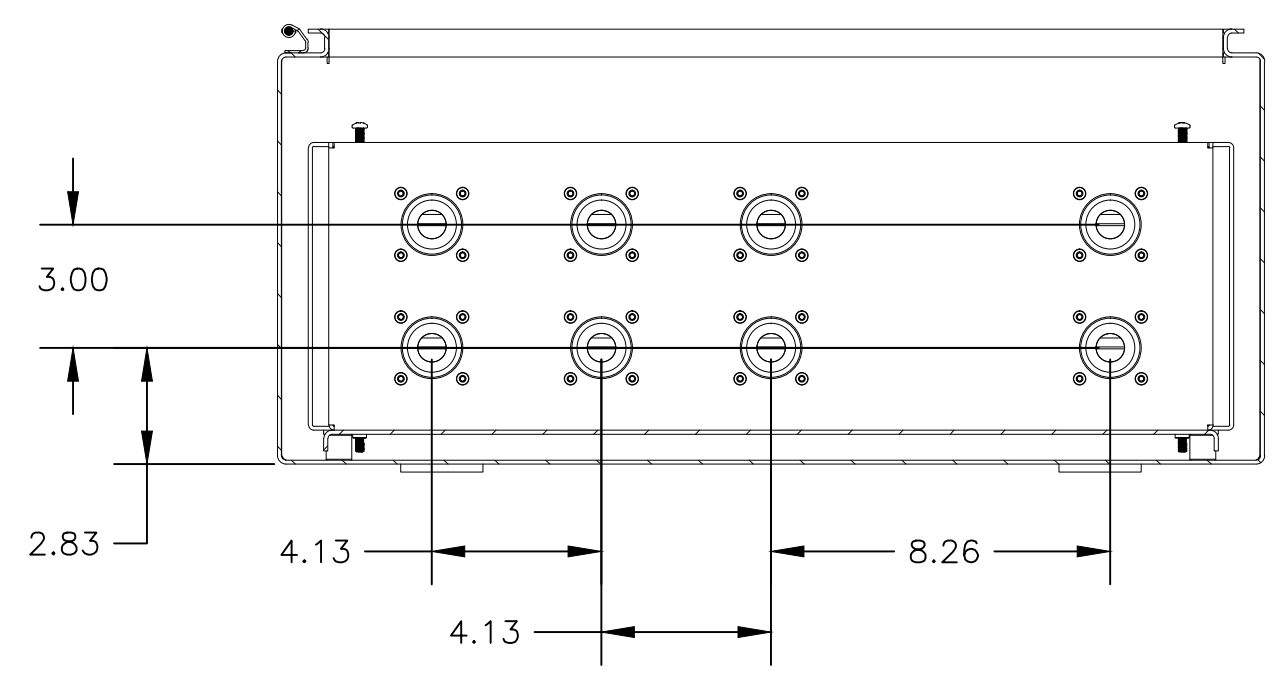
FRONT VIEW
HINGED COVER AND DEADFRONT PANEL REMOVED FOR CLARITY



SHOWN WITH HINGED COVER REMOVED

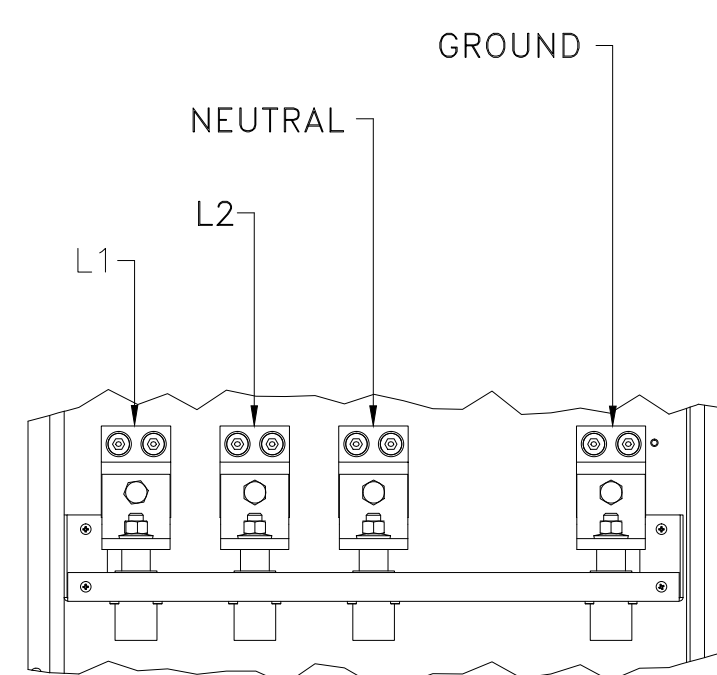


SHOWN WITH HINGED COVER AND DEADFRONT PANEL REMOVED



OPEN CAM CUT-OUTS WILL BE FILLED WITH BLOCK OFF PLATES

DETAIL - 2 WIRE
2P+G



OPEN CAM CUT-OUTS WILL BE FILLED WITH BLOCK OFF PLATES

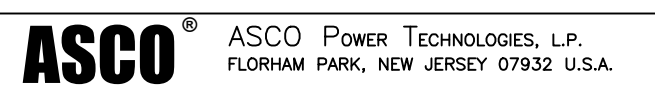
DETAIL - 3 WIRE
2P+N+G

CABLING:

- CONDUIT/CABLE ENTRY IS TO BE THROUGH THE TOP OF THE PANEL, USING PROPER SEALING PROCEDURES TO MAINTAIN TYPE 3R RATING COMPLIANCE.
- TERMINALS:
SCREW TYPE LUGS FOR EXTERNAL POWER CONNECTIONS
(4) #2 AWG TO 600 MCM PER PHASE, NEUTRAL AND GROUND
- MAXIMUM OF (8) 16 SERIES CAM LOCK CONNECTORS.

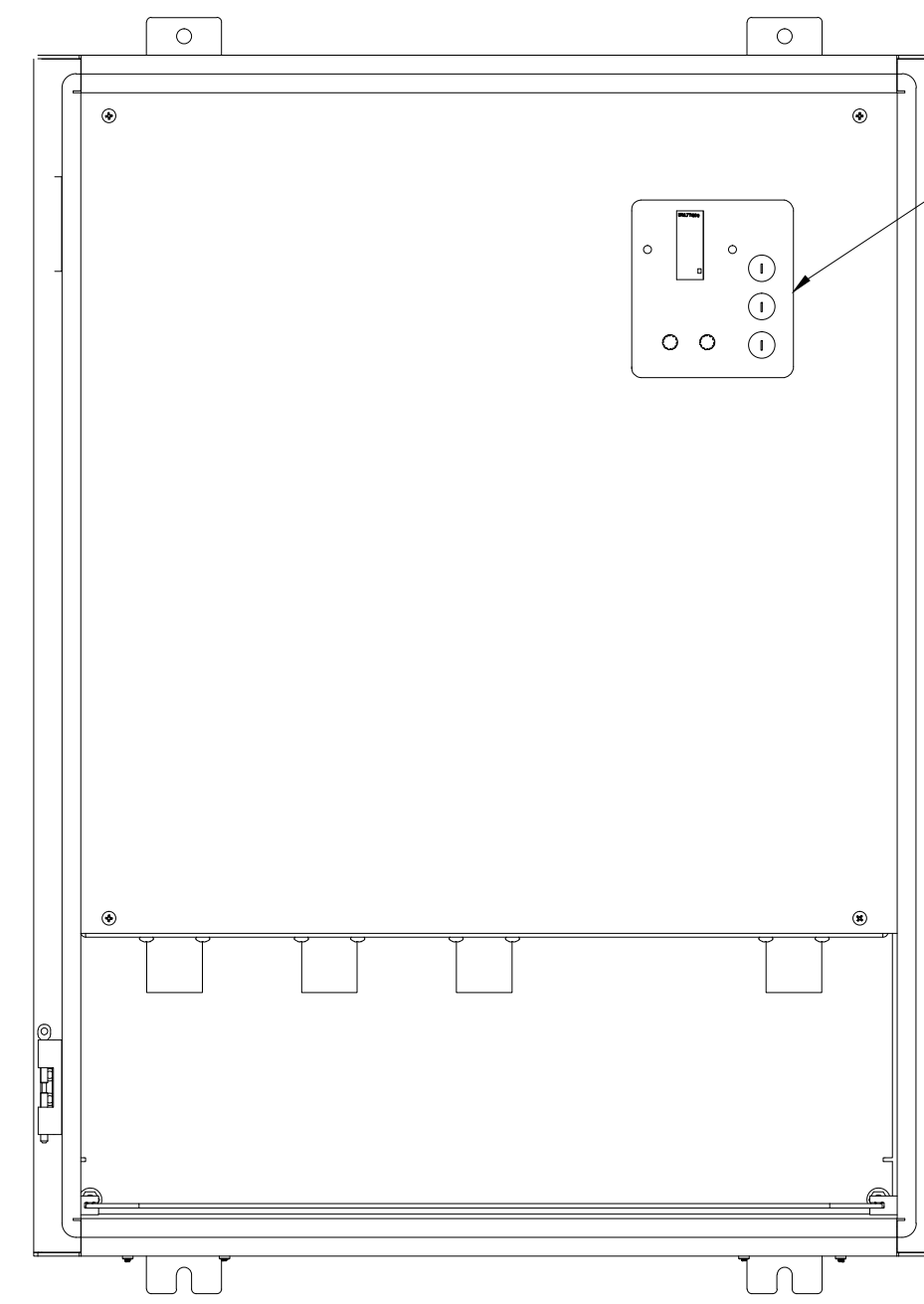
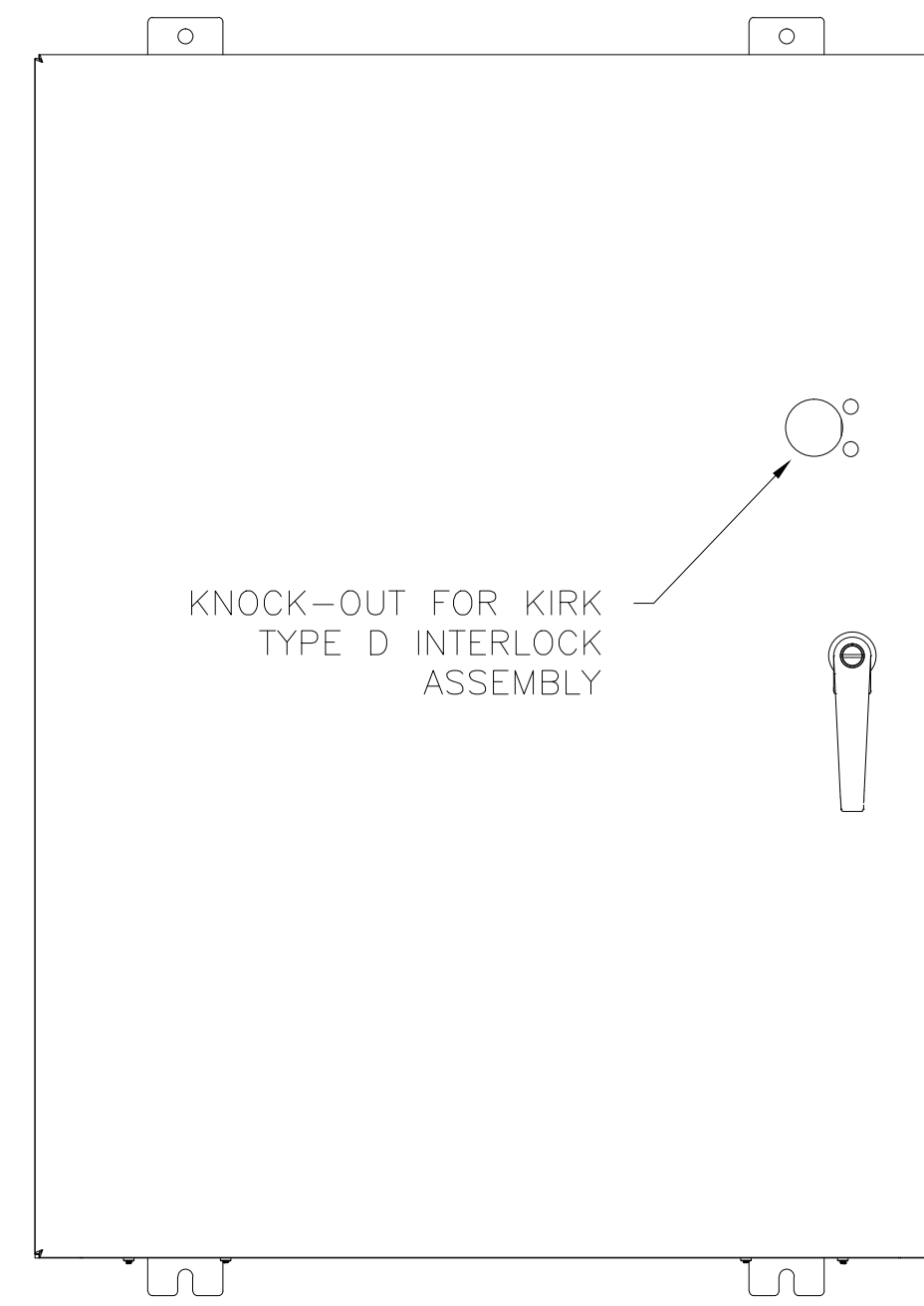
C	275149	MKA	JPB	10/09/18
	SEE ECN			
B	270782	JPB	JPB	01/02/18
	SEE ECN			
A	269400	MKA	JPB	10/09/17
	SEE ECN			
-	266191	MKA	JPB	03/22/17
	ISSUE			

PROJECT NAME:		REV. TO SHEET	ECN NO.	BY	APP.	DATE
QUICK CONNECT PANEL						
400 AND 800 AMPS						
240V MAX, 1PH/2W OR 1PH/3W						
BY	DATE	MANUFACTURING TOLERANCES TO BE IN ACCORDANCE WITH ASCO PROCEDURE MP-1-003. FOR PLASTIC PARTS SEE MP-1-055		ASSEM. REF. NO.	SCALE	SIZE
DRAWN BY	MKA	03/22/17			12	DS
CHECKED			PROPERTY OF ASCO POWER TECHNOLOGIES. USE PERMITTED FOR OUR WORK ONLY. ALL RIGHTS OF DESIGN OR INVENTION ARE RESERVED.		DWG. NO.	
PROJECT APPROVAL					1183438	
FINAL APPROVAL	JPB	03/22/17			DRAWING C	ECN NO. 275149 SHEET 3 OF 4



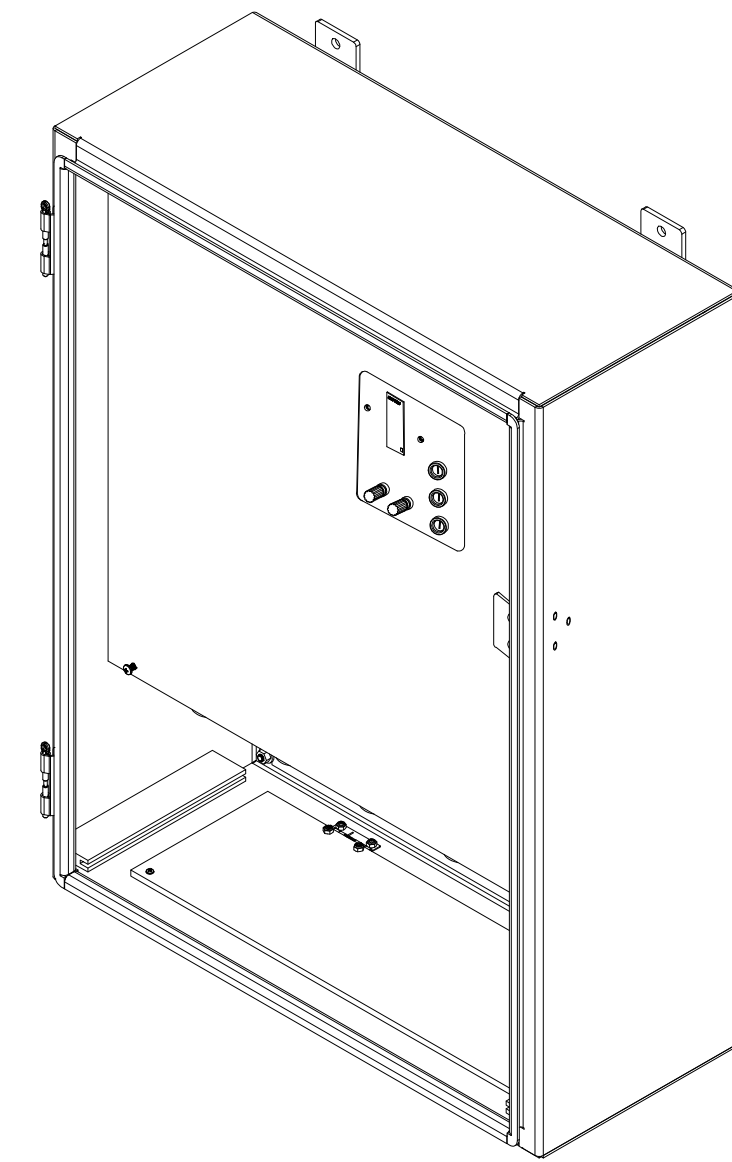
ACCESSORY 171QC

PHASE ROTATION MONITOR, START/STOP TERMINALS AND FUSES.



FRONT VIEW
HINGED COVER REMOVED FOR CLARITY

PHASE ROTATION MONITOR,
START/STOP TERMINALS
AND FUSES.



SHOWN WITH HINGED COVER REMOVED

CABLING NOTES:

- USE PROPER SEALING PROCEDURES TO MAINTAIN TYPE 3R RATING COMPLIANCE.

C	275149	MKA	JPB	10/09/18
	SEE ECN			
B	270782	JPB	JPB	01/02/18
	SEE ECN			
A	269400	MKA	JPB	10/09/17
	SEE ECN			
-	266191	MKA	JPB	03/22/17
	ISSUE			

PROJECT NAME:		REV. TO SHEET	ECN NO.	BY	APP.	DATE
QUICK CONNECT PANEL						
400 AND 800 AMPS						
240V MAX, 1PH/2W OR 1PH/3W						
BY	DATE	MANUFACTURING TOLERANCES TO BE IN ACCORDANCE WITH ASCO PROCEDURE MP-1-003. FOR PLASTIC PARTS SEE MP-1-055		ASSEM. REF. NO.	COMPUTER GENERATED DRAWING	
DRAWN BY	MKA	03/22/17			SCALE	12 SIZE DS
CHECKED					DWG. NO.	
PROJECT APPROVAL					1183438	
FINAL APPROVAL	JPB	03/22/17			DRAWING C	ECN NO. 275149 SHEET 4 OF 4
					ASCO ® ASCO POWER TECHNOLOGIES, L.P. FLORHAM PARK, NEW JERSEY 07932 U.S.A.	

