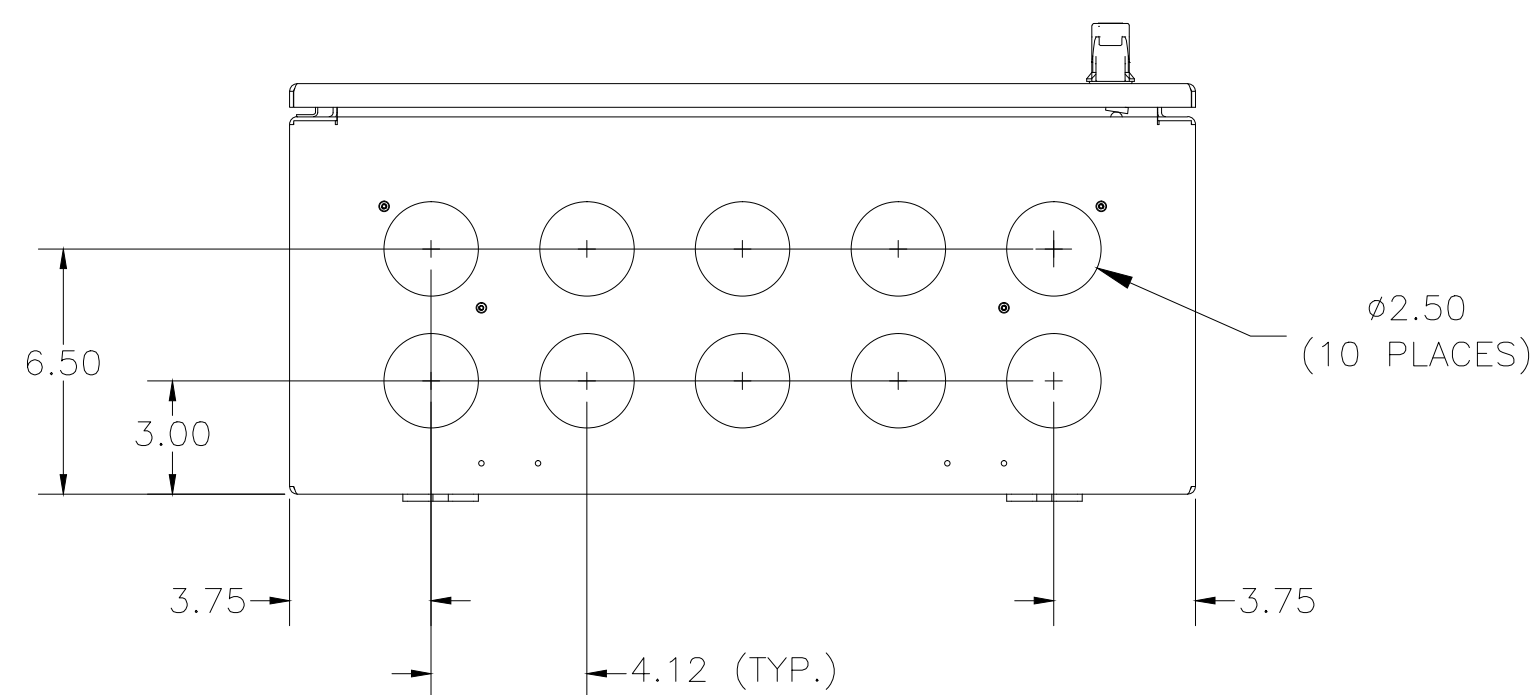


FRONT VIEW
HINGED COVER REMOVED FOR CLARITY



NOTES:

- 1) INLET PANELS:
 - FOR USE ONLY FOR CONNECTION OF A GENERATOR TO THE SOURCE TERMINALS OF A TRANSFER SWITCH, SUCH THAT THE INLETS ARE ENERGIZED FROM THE GENERATOR
 - ETL LISTED TO UL1008, TRANSFER SWITCH ACCESSORY
- 2) OUTLET PANELS:
 - FOR CONNECTION OF A LOAD BANK TO A POWER SOURCE
 - ETL LISTED TO UL891
- 3) PANEL RATINGS: 600V MAX, 50/60 Hz, 400A AND 800A, 3PH/3W OR 3PH/4W
- 4) SHORT CIRCUIT RATING: 10K RMS SYMMETRICAL AMPS, 600 VAC MAX., 50 mS
- 5) ENCLOSURE:
 - RATING - TYPE 3R CONSTRUCTION, FOR OUTDOOR USE ONLY
 - FINISH - ANSI 61 GREY

SITE PREP:

- PREPARE INSTALLATION SITE ACCORDING TO LOCAL CODES
- SURFACE TO WHICH PANEL IS TO BE INSTALLED MUST BE CAPABLE OF SUPPORTING THE WEIGHT OF THE PANEL AS WELL AS THE WEIGHT OF THE CABLES ATTACHED TO IT.
 - * 400 AMP QUICK CONNECT PANEL 55 LBS.
 - * 800 AMP QUICK CONNECT PANEL 65 LBS.
- PROPER CLEARANCE MUST BE ALLOWED IN FRONT OF THE PANEL, NO LESS THAN SIX (6) FEET FROM THE FACE OF THE PANEL

INSTALLATION:

- PANEL INSTALLATION IS TO BE CARRIED OUT BY QUALIFIED PERSONNEL IN ACCORDANCE WITH THE NATIONAL ELECTRICAL CODE AND LOCAL CODES.
- THE QUICK CONNECT PANEL IS TO BE LOCATED SO THERE IS ADEQUATE ROOM FOR THE EXTERNALLY CONNECTED CABLES TO HANG BELOW THE PANEL.
 - * A MINIMUM CLEARANCE OF 36" IS REQUIRED FROM THE BOTTOM OF THE PANEL TO THE FINISHED GROUND LEVEL
- THE QUICK CONNECT PANEL IS TO BE FASTENED TO AN EXTERNAL WALL USING 3/8" DIA. FASTENERS.
 - * THE PANEL MUST BE LEVEL AND PLUMB TO ALLOW FOR PROPER DRAINAGE FROM THE PANEL WEEP HOLES.

OPTIONAL ACCESSORIES:

- ACC. 147QC - COLOR CODING FOR CANADIAN CAMLOK CONNECTORS
THREE PHASE: RED (PHASE A), BLK (PHASE B), BLU (PHASE C), NEUT. WHEN REQUIRED (WHT)
- ACC. 171QC - PHASE ROTATION MONITOR, FUSES, ENGINE START TERMINAL POST AND PROVISION FOR TRAP KEY.
(REFER TO PAGE 4 OF 4 FOR ACC. 171QC DETAILS)

CATALOG TYPE	INPUT/OUTPUT	CONNECTOR TYPE	CATALOG NUMBER						OPTIONAL ACCESSORY	ENCLOSURE CODE	EXPLANATION OF CATALOG NUMBER CODES												
			GROUND	NEUTRAL TYPE	POLES	AMPS	VOLT CODE	BLANK			INPUT/OUTPUT CODE	CONNECTOR TYPE CODE	GROUND TYPE CODE	GROUND TYPE COLOR	NEUTRAL TYPE CODE	NEUTRAL TYPE COLOR	VOLTAGE CODES CODE	NOMINAL VOLTAGE	COLOR CODE	OPTIONAL ACCESSORY CODE	ENCLOSURE CODES CODE	TYPE	DESCRIPTION
3QC	N U	C	A N	O A	3	400 800	F N R	0	0 X Z	F S	N=INPUT U=OUTPUT	C=CAMLOCK	A=100% N=25%	GREEN	0=NONE A=100%	NONE WHITE	F N R	240 480 600	BLK,RED,BLU BRN,ORG,YEL BLK,BLK,BLK	0=STANDARD X=ACCESSORY Z=SPECIAL	F S	3R 3R	SECURE ENCLOSURE OUTDOOR, RAINPROOF, SLEET & ICE RESISTANT (ALUMINUM) SECURE ENCLOSURE OUTDOOR, RAINPROOF, SLEET & ICE RESISTANT (316 STAINLESS STEEL)

E	275149	MKA	JPB	10/09/18
D	274211	MKA	JPB	09/10/18
C	270482	JPB	JPB	01/02/18
B	269400	MKA	JPB	10/09/17
A	266986	MKA	JPB	05/09/17
-	266191	MKA	JPB	03/22/17
-	-	-	-	ISSUE

PROJECT NAME: QUICK CONNECT PANEL
400 AND 800 AMPS
600V MAX, 3PH/3W OR 3PH/4W

REV. TO SHEET: ECN NO. BY APP. DATE

MANUFACTURING TOLERANCES TO BE IN ACCORDANCE WITH ASCO PROCEDURE MP-1-003. FOR PLASTIC PARTS SEE MP-1-055.

SCALE: 12 SIZE DS

COMPUTER GENERATED DRAWING

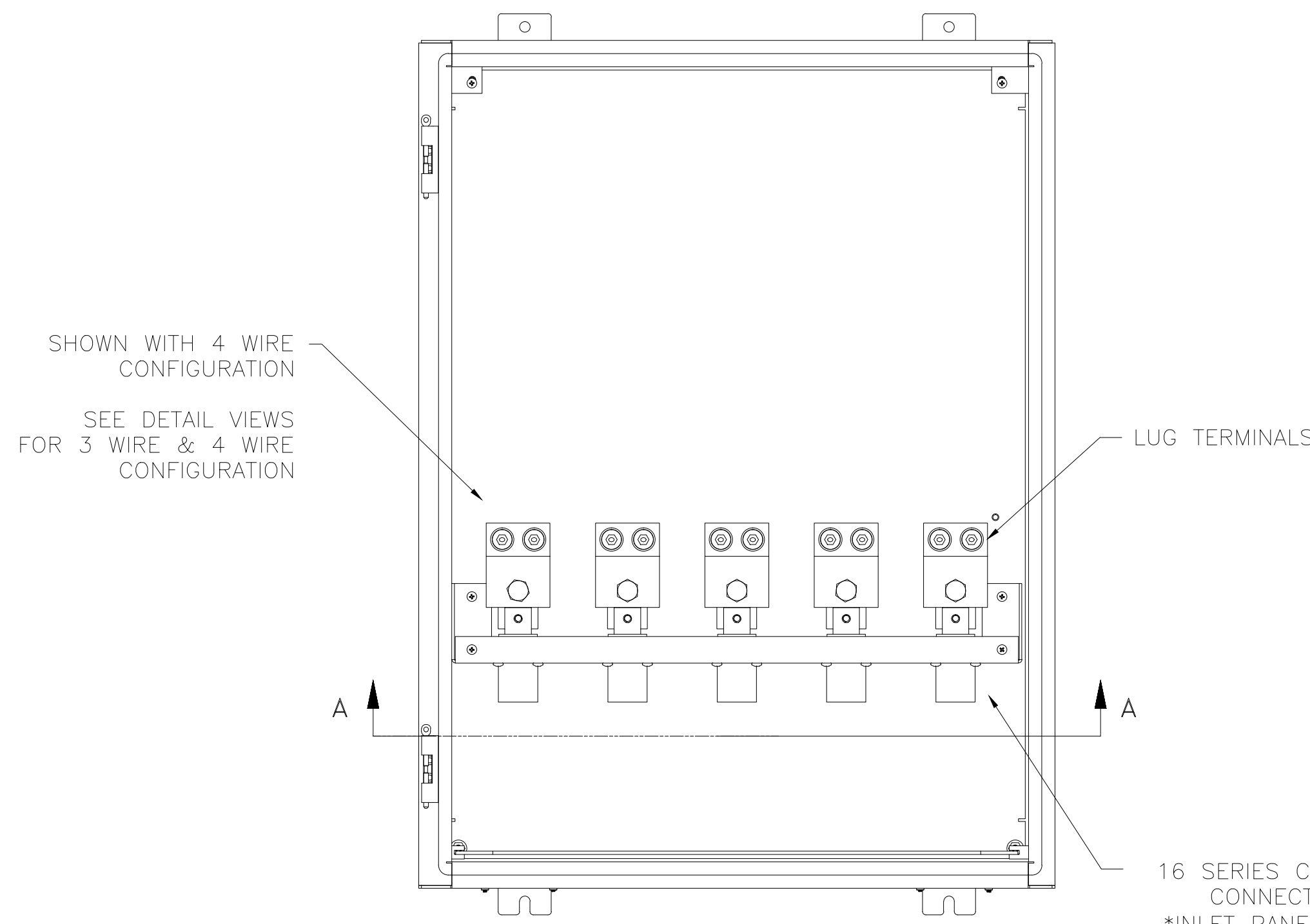
PROPERTY OF ASCO POWER TECHNOLOGIES, USE PERMITTED FOR OUR WORK ONLY. ALL RIGHTS OF DESIGN OR INVENTION ARE RESERVED.

1170057

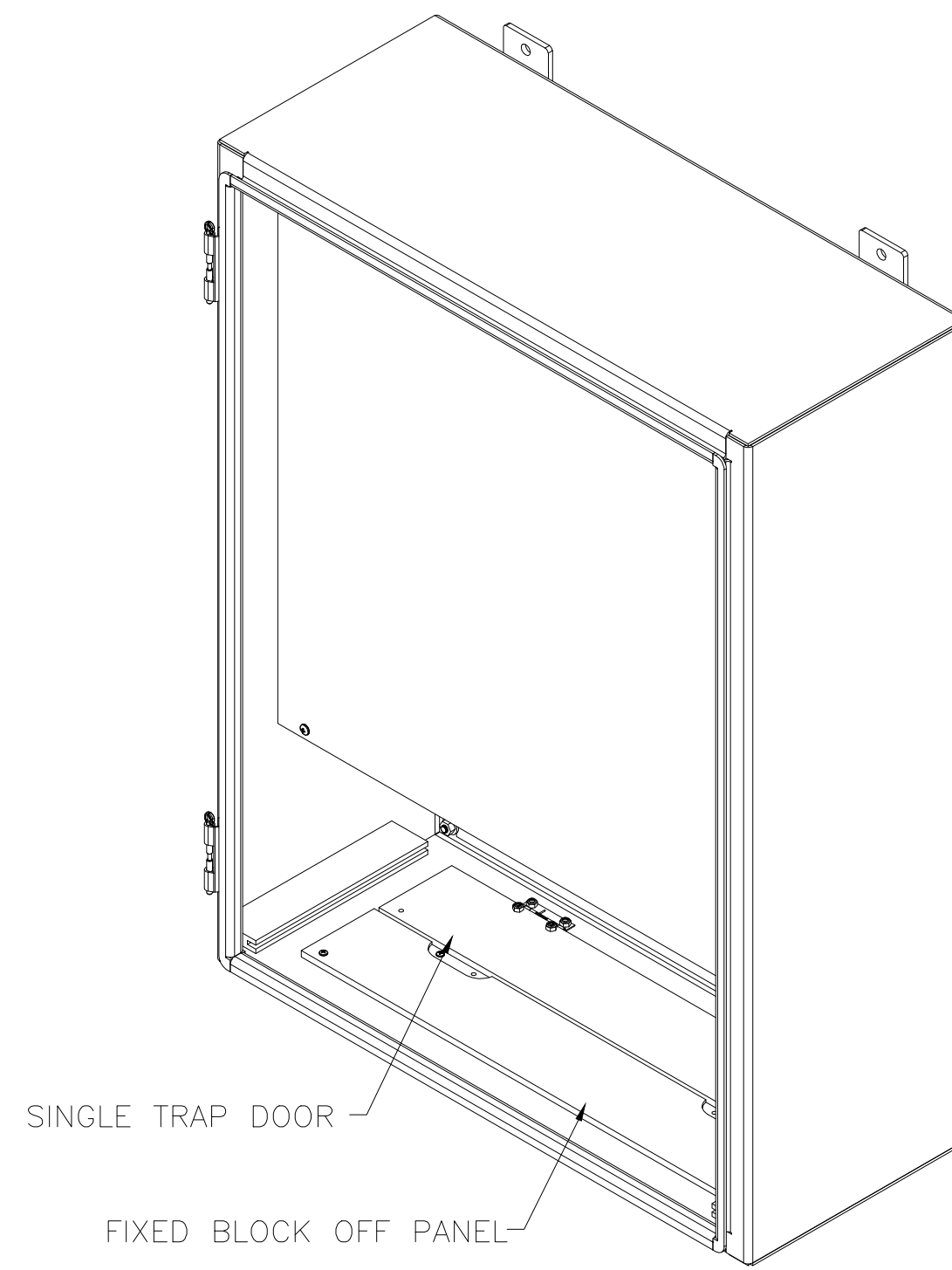
ASCOTM ASCO Power Technologies, L.P.
FLORHAM PARK, NEW JERSEY 07932 U.S.A.

DRAWING REV. E ECN NO. 275149 SHEET 1 OF 4

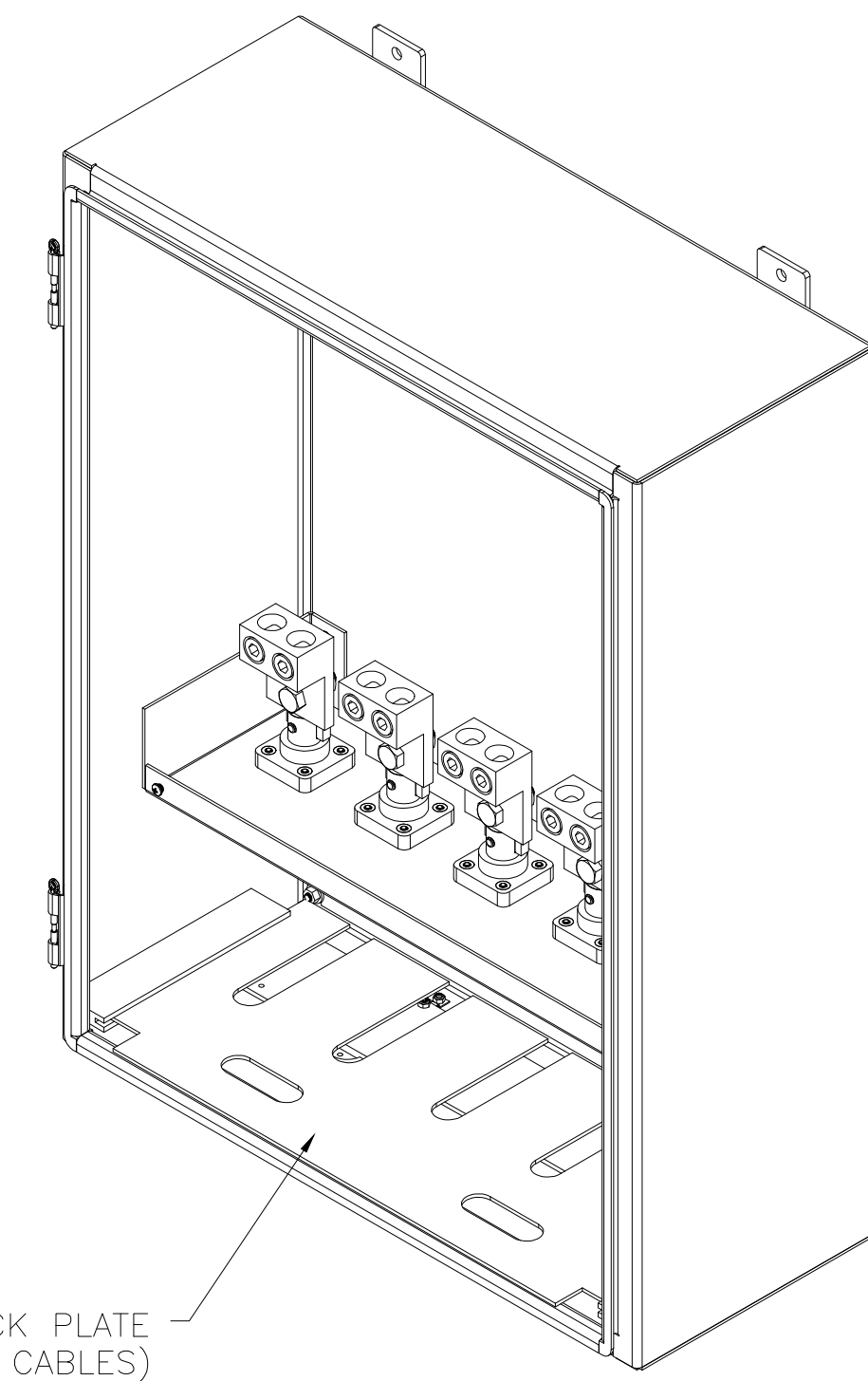
400 AMP QUICK CONNECT PANEL



FRONT VIEW
HINGED COVER AND DEADFRONT PANEL REMOVED FOR CLARITY



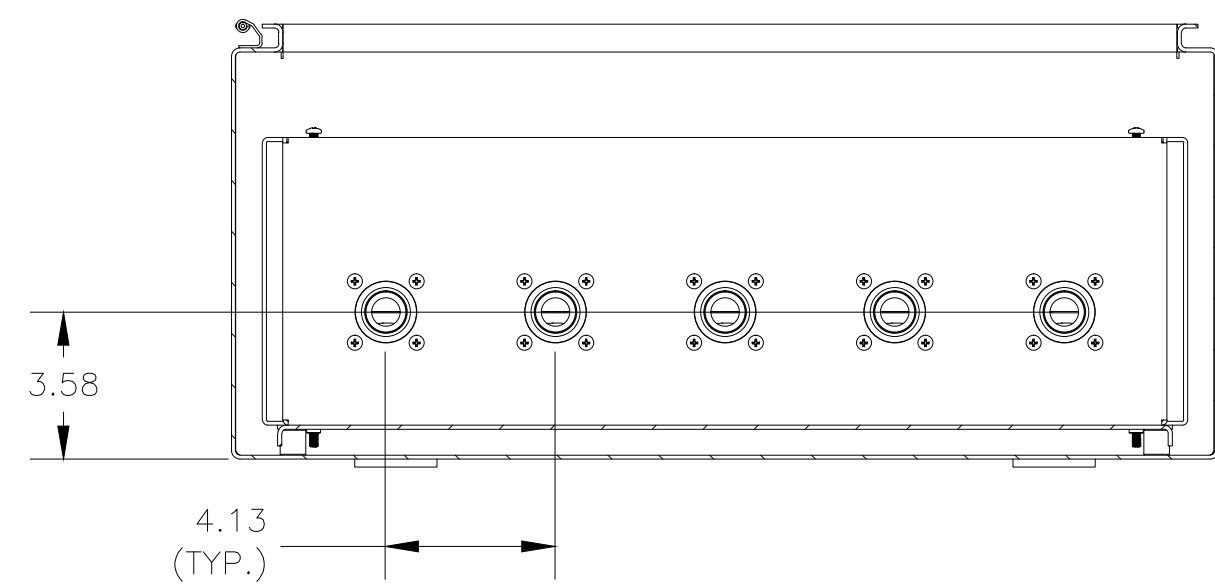
SHOWN WITH HINGED COVER REMOVED



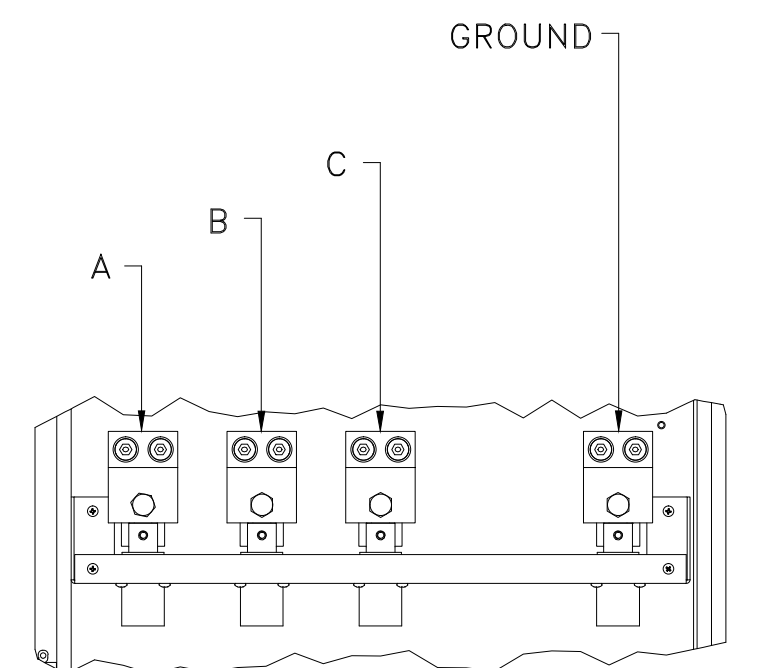
REMOVE PLATE FOR CABLE INSTALLATION REPLACE TO PREVENT INLINE TERMINAL CABLE REMOVAL

SHOWN WITH HINGED COVER AND DEADFRONT PANEL REMOVED

16 SERIES CAM TYPE CONNECTORS
*INLET PANELS:
-RECESSED MALE CONNECTORS
*OUTLET PANELS:
-FEMALE CONNECTORS

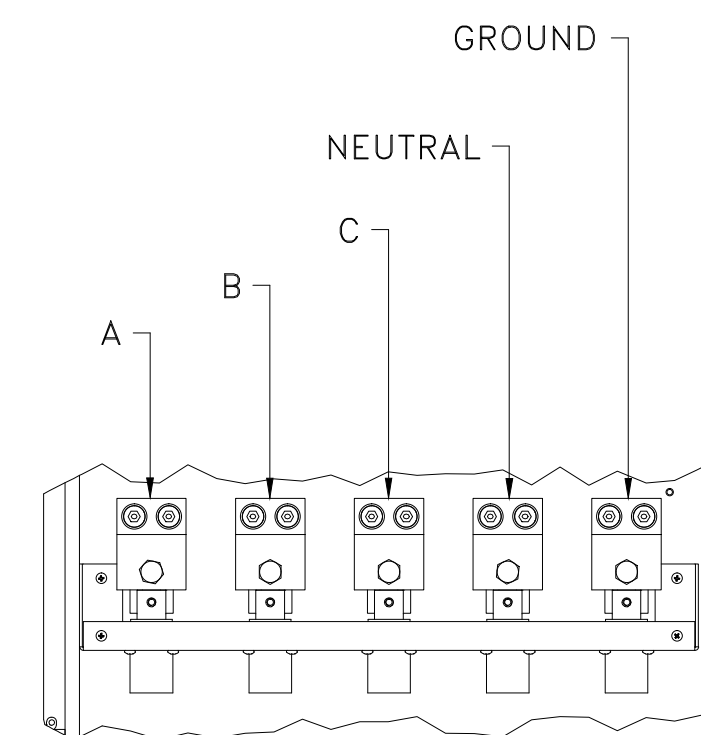


SECTION A-A



OPEN CAM CUT-OUTS WILL BE FILLED WITH BLOCK OFF PLATES

DETAIL - 3 WIRE
3P+G



DETAIL - 4 WIRE
3P+N+G

CABLING:

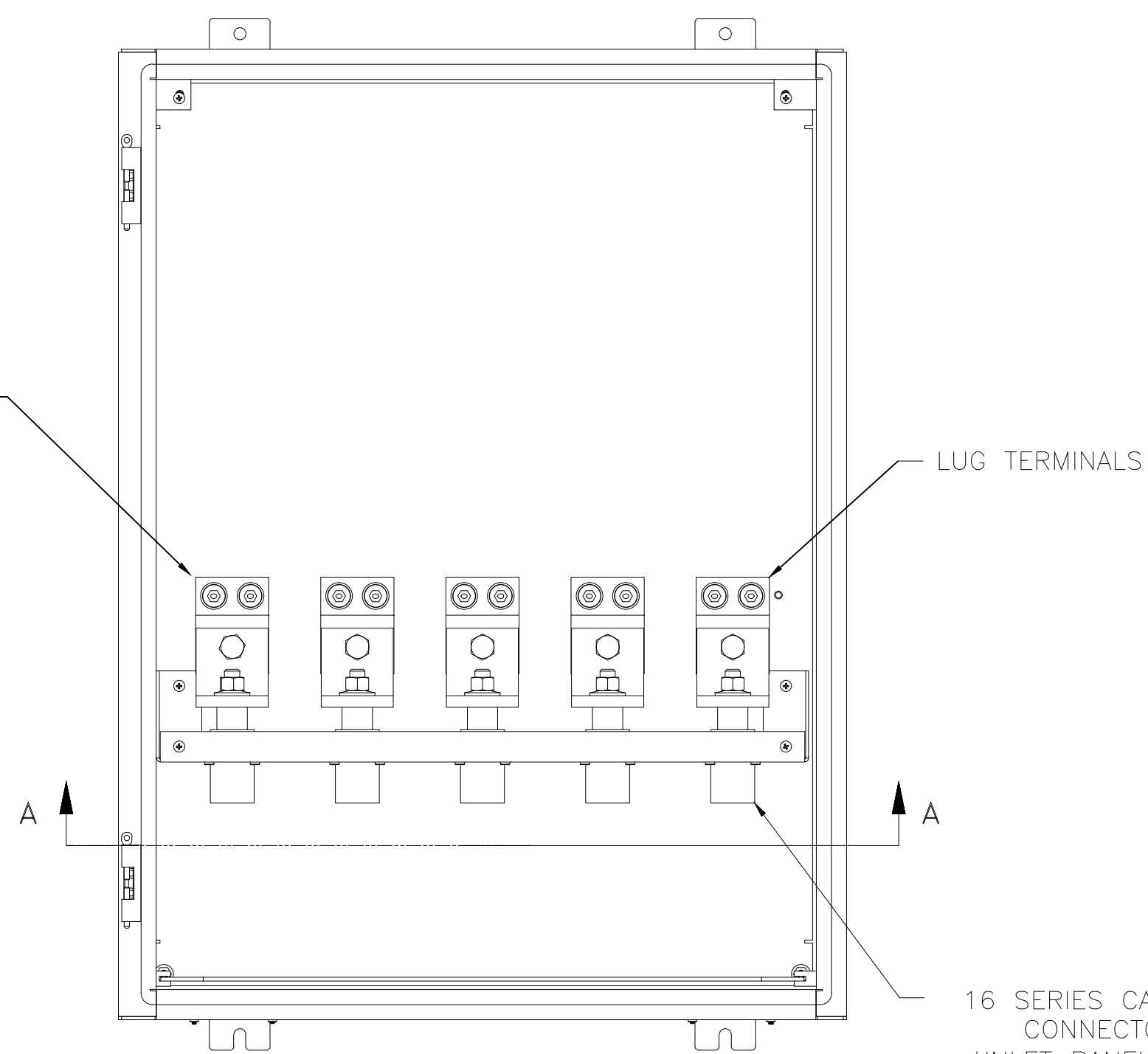
- CONDUIT/CABLE ENTRY IS TO BE THROUGH THE TOP OF THE PANEL, USING PROPER SEALING PROCEDURES TO MAINTAIN TYPE 3R RATING COMPLIANCE.
- TERMINALS:
SCREW TYPE LUGS FOR EXTERNAL POWER CONNECTIONS
(2) #2 AWG TO 600 MCM PER PHASE, NEUTRAL AND GROUND
- MAXIMUM OF (5) 16 SERIES CAM LOCK CONNECTORS.

E	275149	MKA	JPB	10/09/18
	SEE ECN			
D	274211	MKA	JPB	09/10/18
	SEE ECN			
C	270482	JPB	JPB	01/02/18
	SEE ECN			
B	269400	MKA	JPB	10/09/17
	SEE ECN			
A	266986	MKA	JPB	05/09/17
	SEE ECN			
-	266191	MKA	JPB	03/22/17
	ISSUE			

PROJECT NAME:		REV. TO SHEET	ECN NO.	BY	APP.	DATE
QUICK CONNECT PANEL						
400 AND 800 AMPS						
600V MAX. 3PH/3W OR 3PH/4W						
BY	DATE	MANUFACTURING TOLERANCES TO BE IN ACCORDANCE WITH ASCO PROCEDURE MP-1-003. FOR PLASTIC PARTS SEE MP-1-055		ASSEM. REF. NO.	SCALE	SIZE
DRAWN BY	MKA	03/22/17			12	DS
CHECKED						
PROJECT APPROVAL						
FINAL APPROVAL	JPB	03/22/17				
PROPERTY OF ASCO POWER TECHNOLOGIES. USE PERMITTED FOR OUR WORK ONLY. ALL RIGHTS OF DESIGN OR INVENTION ARE RESERVED.		DRAWING NO.		1170057		
ASCO® ASCO POWER TECHNOLOGIES, L.P. FLORHAM PARK, NEW JERSEY 07932 U.S.A.		ECN NO.	275149	SHEET 2 OF 4		

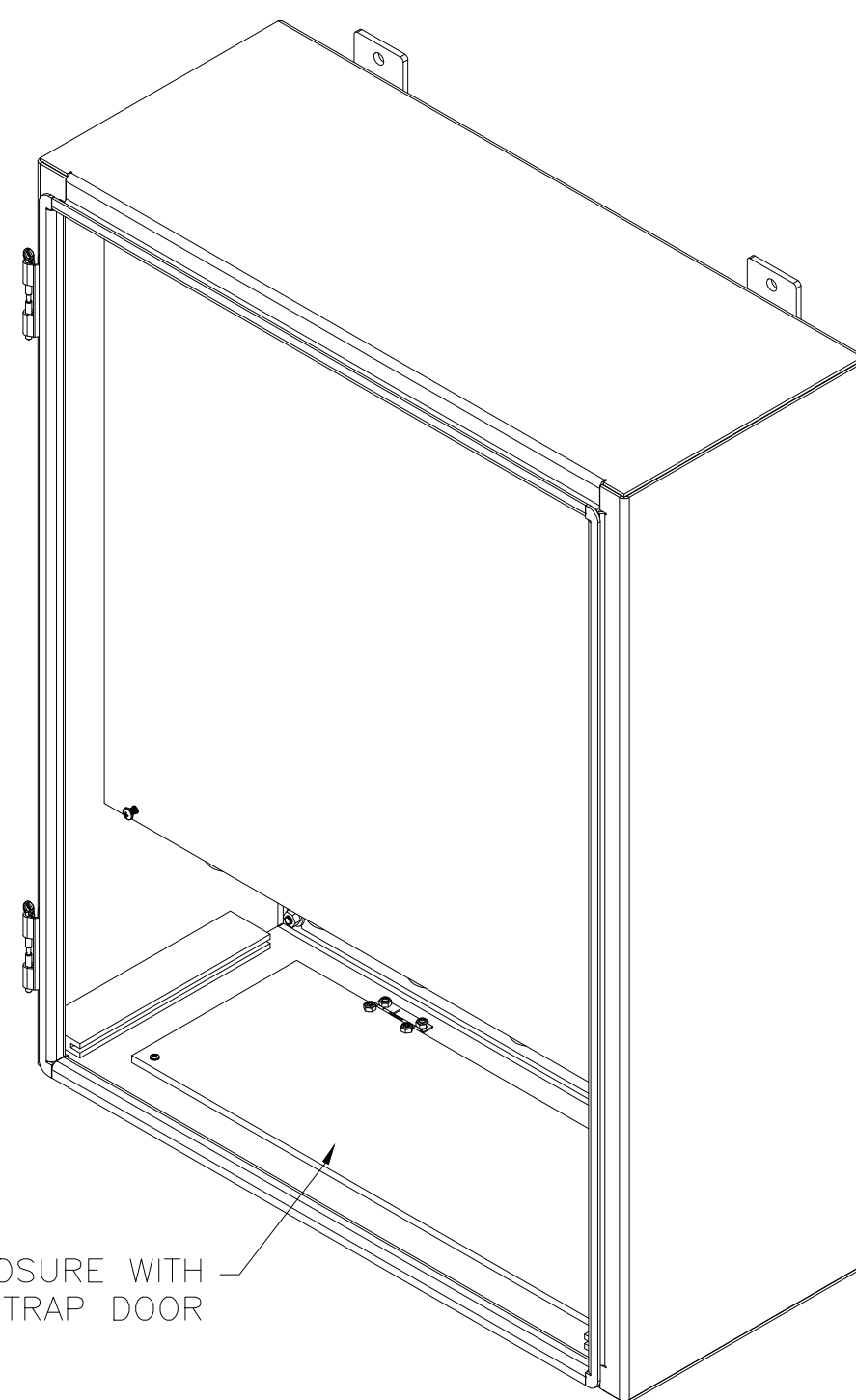
800 AMP QUICK CONNECT PANEL

SHOWN WITH 4 WIRE CONFIGURATION
SEE DETAIL VIEWS FOR 3 WIRE & 4 WIRE CONFIGURATION



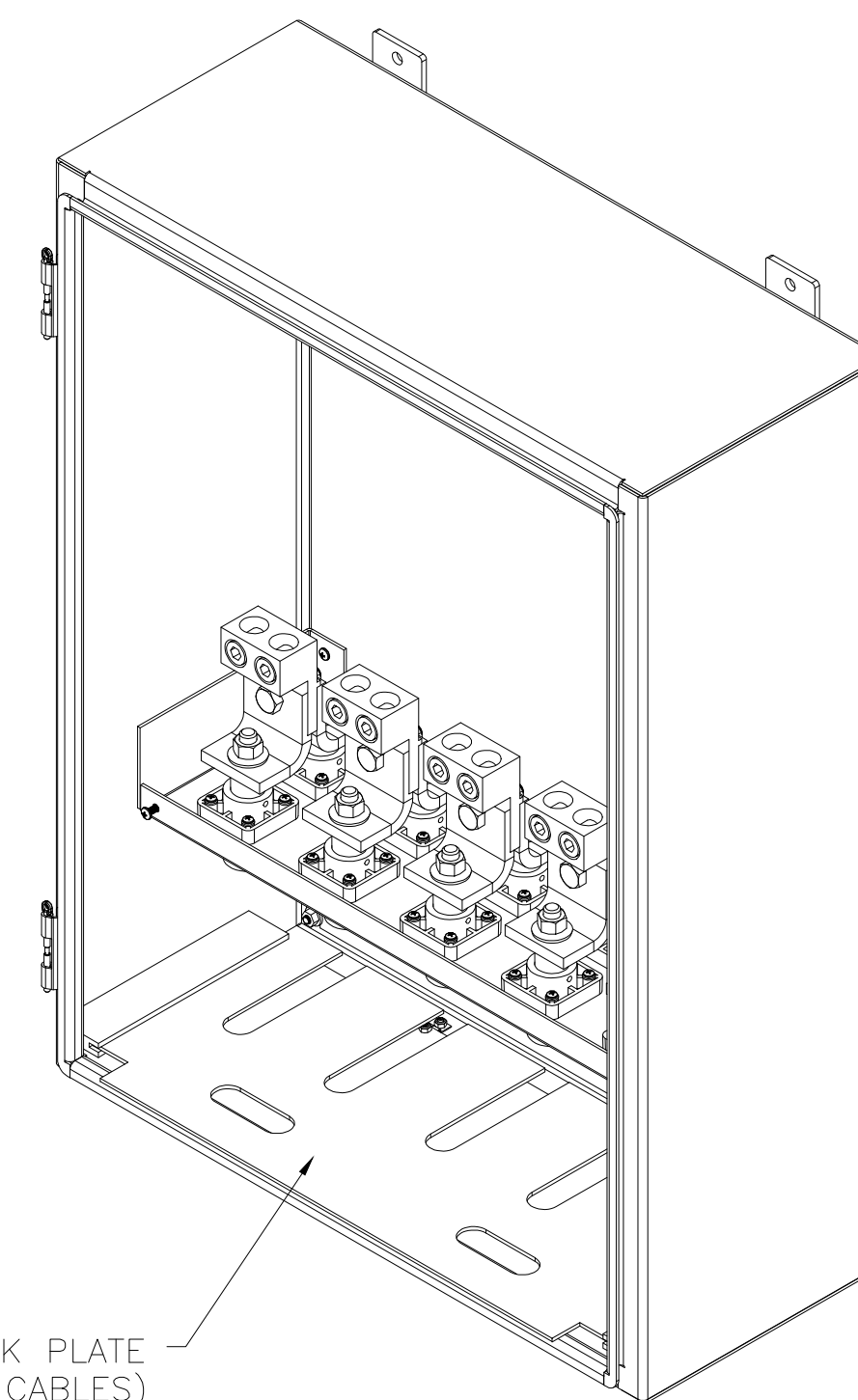
FRONT VIEW
HINGED COVER AND DEADFRONT PANEL REMOVED FOR CLARITY

ENCLOSURE WITH SINGLE TRAP DOOR



SHOWN WITH HINGED COVER REMOVED

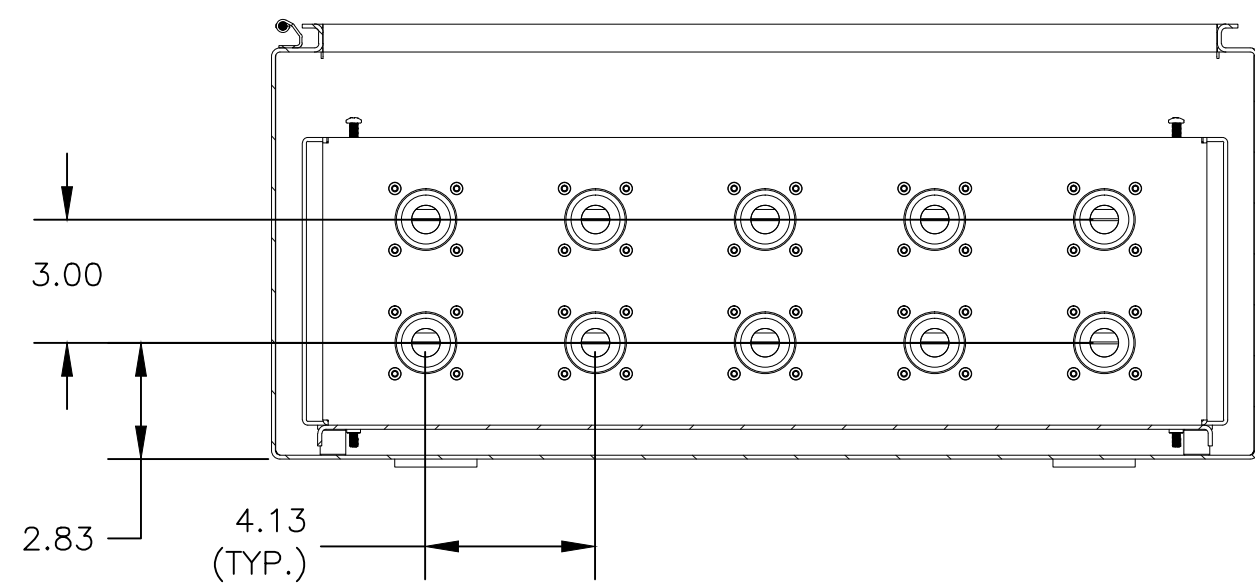
INTERNAL LOCK PLATE
(ATTACHED TO ENCLOSURE WITH LANYARD CABLES)
SLIDES INTO TRACKS ON LOWER SIDES OF ENCLOSURE



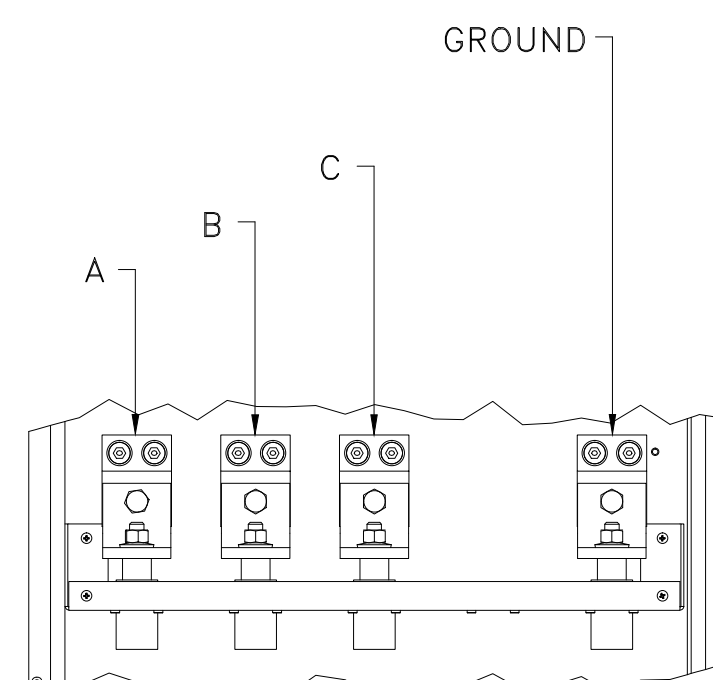
REMOVE PLATE FOR CABLE INSTALLATION REPLACE TO PREVENT INLINE TERMINAL CABLE REMOVAL

SHOWN WITH HINGED COVER AND DEADFRONT PANEL REMOVED

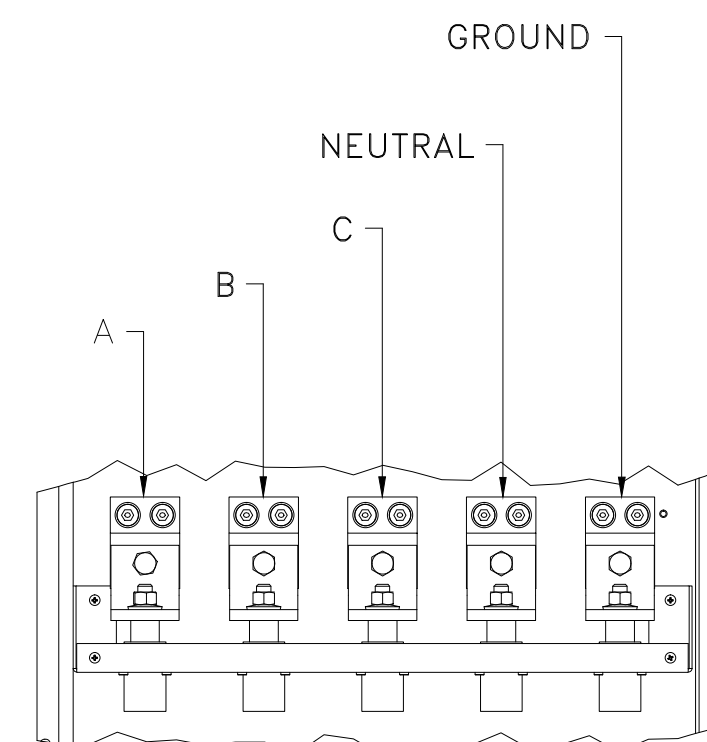
16 SERIES CAM TYPE CONNECTORS
*INLET PANELS:
-RECESSED MALE CONNECTORS
*OUTLET PANELS:
-FEMALE CONNECTORS



SECTION A-A



DETAIL - 3 WIRE
3P+G



DETAIL - 4 WIRE
3P+N+G

OPEN CAM CUT-OUTS WILL BE FILLED WITH BLOCK OFF PLATES

CABLING:

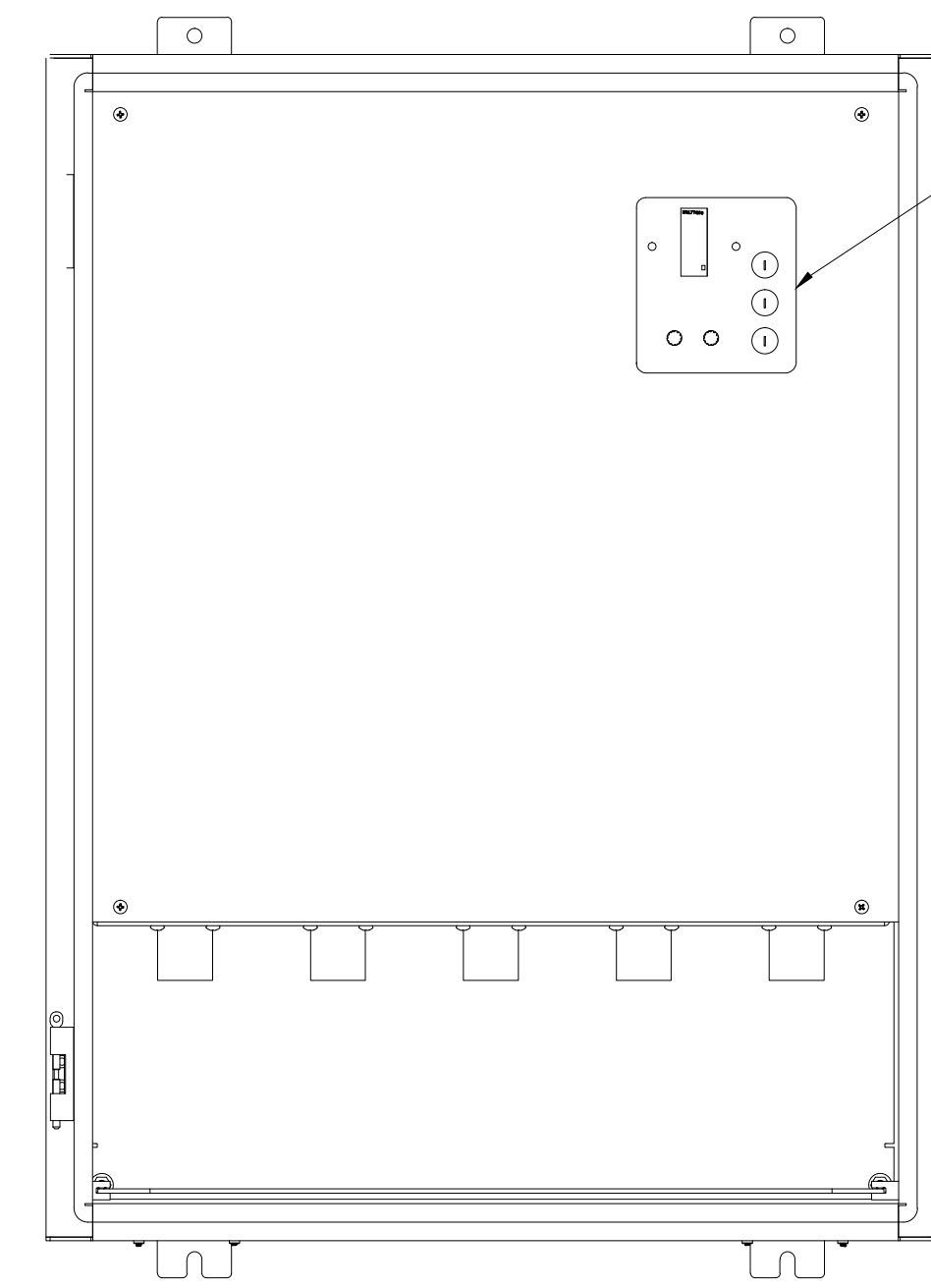
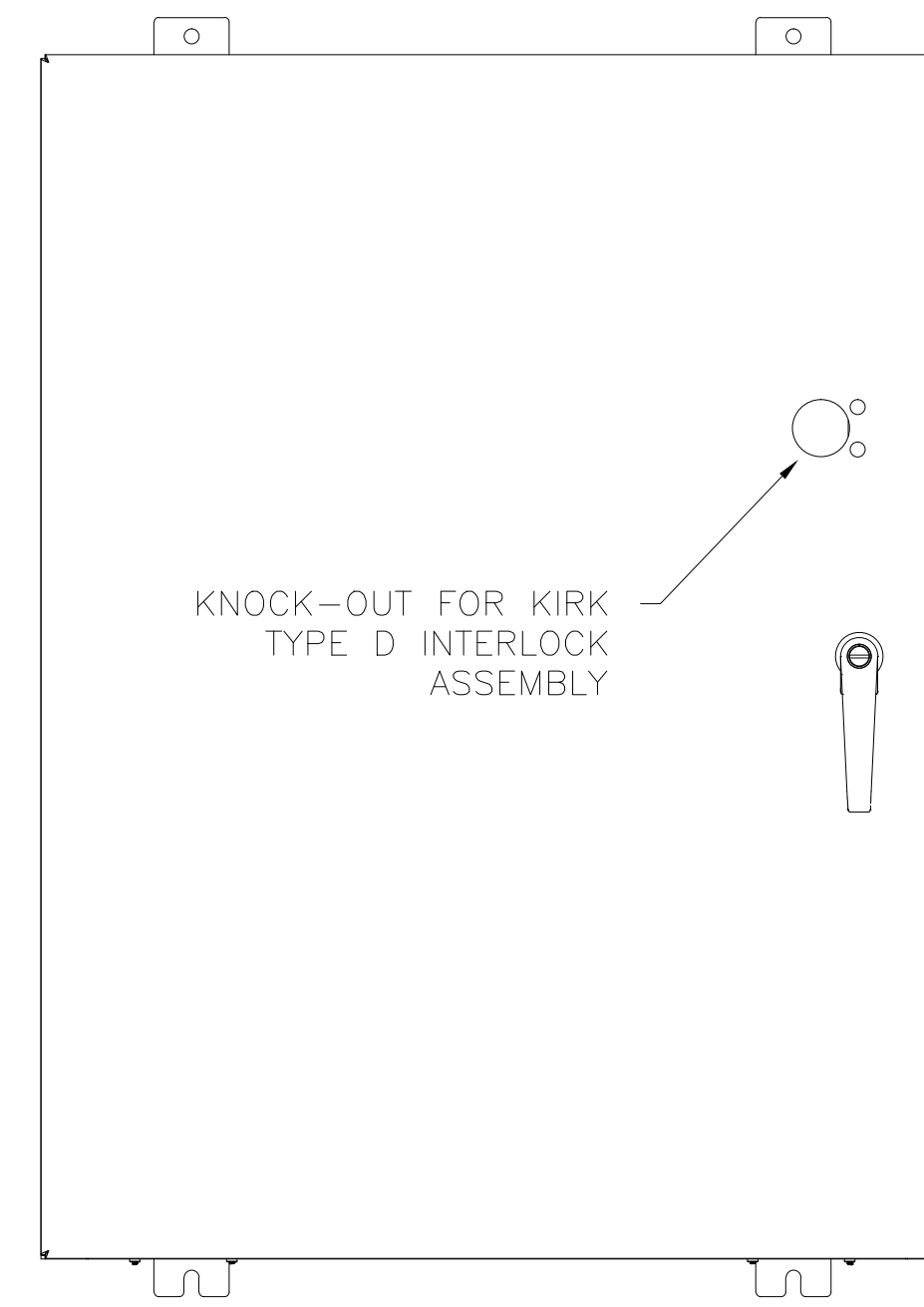
- CONDUIT/CABLE ENTRY IS TO BE THROUGH THE TOP OF THE PANEL, USING PROPER SEALING PROCEDURES TO MAINTAIN TYPE 3R RATING COMPLIANCE.
- TERMINALS:
SCREW TYPE LUGS FOR EXTERNAL POWER CONNECTIONS
(4) #2 AWG TO 600 MCM PER PHASE, NEUTRAL AND GROUND
- MAXIMUM OF (10) 16 SERIES CAM LOCK CONNECTORS.

E	275149	MKA	JPB	10/09/18
	SEE ECN			
D	274211	MKA	JPB	09/10/18
	SEE ECN			
C	270482	JPB	JPB	01/02/18
	SEE ECN			
B	269400	MKA	JPB	10/09/17
	SEE ECN			
A	266986	MKA	JPB	05/09/17
	SEE ECN			
-	266191	MKA	JPB	03/22/17
	ISSUE			

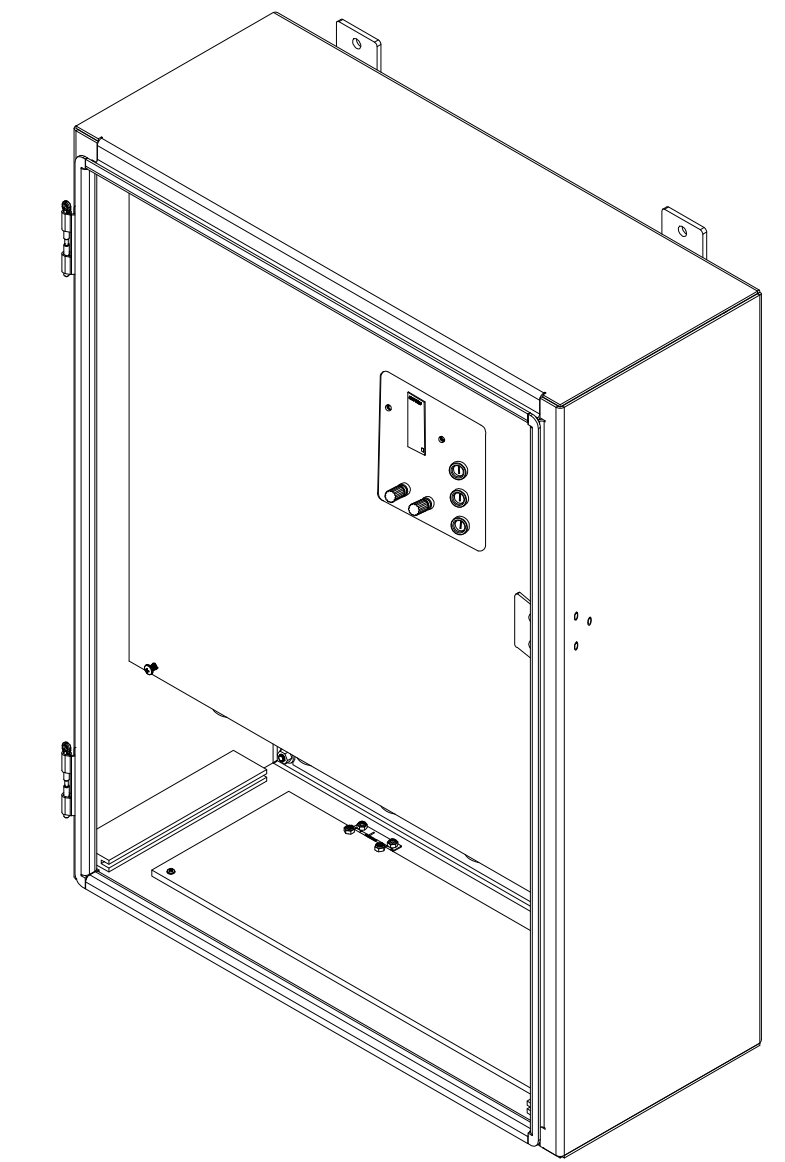
PROJECT NAME:		REV. TO SHEET	ECN NO.	BY	APP.	DATE
QUICK CONNECT PANEL						
400 AND 800 AMPS						
600V MAX. 3PH/3W OR 3PH/4W						
BY	DATE	MANUFACTURING TOLERANCES TO BE IN ACCORDANCE WITH ASCO PROCEDURE MP-1-003. FOR PLASTIC PARTS SEE MP-1-005		ASSEM. REF. NO.	SCALE	SIZE
DRAWN BY	MKA	03/22/17			12	DS
CHECKED						
PROJECT APPROVAL						
FINAL APPROVAL	JPB	03/22/17				
PROPERTY OF ASCO POWER TECHNOLOGIES. USE PERMITTED FOR OUR WORK ONLY. ALL RIGHTS OF DESIGN OR INVENTION ARE RESERVED.		DRAWING NO.		COMPUTER GENERATED DRAWING		
1170057		1170057		3 OF 4		
ASCO® ASCO POWER TECHNOLOGIES, L.P. FLORHAM PARK, NEW JERSEY 07932 U.S.A.		DRAWING E		ECN NO. 275149		

ACCESSORY 171QC

PHASE ROTATION MONITOR, START/STOP TERMINALS AND FUSES.



FRONT VIEW
HINGED COVER REMOVED FOR CLARITY



CABLING NOTES:

- USE PROPER SEALING PROCEDURES TO MAINTAIN TYPE 3R RATING COMPLIANCE.

E	275149	MKA	JPB	10/09/18
	SEE ECN			
D	274211	MKA	JPB	09/10/18
	SEE ECN			
C	270482	JPB	JPB	01/02/18
	SEE ECN			
B	269400	MKA	JPB	10/09/17
	SEE ECN			
A	266986	MKA	JPB	05/09/17
	SEE ECN			
-	266191	MKA	JPB	03/22/17
	ISSUE			

PROJECT NAME:		REV. TO SHEET	ECN NO.	BY	APP.	DATE
QUICK CONNECT PANEL						
400 AND 800 AMPS						
600V MAX, 3PH/3W OR 3PH/4W						
BY	DATE	MANUFACTURING TOLERANCES TO BE IN ACCORDANCE WITH ASCO PROCEDURE MP-1-003. FOR PLASTIC PARTS SEE MP-1-005		ASSEM. REF. NO.	COMPUTER GENERATED DRAWING	
MKA	03/22/17				SCALE	12 SIZE DS
CHECKED		PROPERTY OF ASCO POWER TECHNOLOGIES. USE PERMITTED FOR OUR WORK ONLY. ALL RIGHTS OF DESIGN OR INVENTION ARE RESERVED.			DWG. NO.	
PROJECT APPROVAL					1170057	
FINAL APPROVAL	JPB 03/22/17	ASCO ® ASCO POWER TECHNOLOGIES, L.P. FLORHAM PARK, NEW JERSEY 07932 U.S.A.		DRAWING E	ECN NO. 275149	SHEET 4 OF 4