


8 7 6 5 4 3 2 1
OUTLINE FOR ASCO® 300 SERIES 2600-3000 AMPERE "G" FRAME (3ATS,3NTS,3NDTS,3ADTS) REAR CONNECTED TRANSFER SWITCHES TYPE 3R SECURE ENCLOSURE

GENERAL NOTES

- TYPE 3R RAINPROOF ENCLOSURE. FREE STANDING. FLOOR MOUNTED. CODE GAUGE FORMED FRAME CONSTRUCTION.
- NEC STANDARD GAUGE PAN TYPE DOOR WITH LOCKABLE HANDLE.
- FINISH: ANSI 61 GRAY, POLYESTER POWDER STANDARD. OTHER ANSI COLORS AVAILABLE CONSULT FACTORY UL RECOGNIZED.
- CONSTRUCTION IS IN ACCORDANCE WITH APPLICABLE REQUIREMENTS OF UL 891.
- RECOMMENDED CLEARANCES:
FRONT: 36 INCHES
REAR: 30 INCHES
- A 20% RATED GROUND BUS IS PROVIDED AT THE REAR OF THE ENCLOSURE.
- UNIT IS DESIGNED FOR BOTTOM CABLE ENTRY ONLY. THE STANDARD SWITCH CONFIGURATION IS FOR TOP LUGS EMERGENCY CENTER LUGS LOAD AND BOTTOM LUGS NORMAL. OPTIONALLY, THE SWITCH MAY BE SUPPLIED WITH REVERSE NORMAL & EMERGENCY. (REFER TO THE WIRING DIAGRAM FURNISHED WITH EACH TRANSFER SWITCH TO DETERMINE TERMINATION POSITIONS).
- NEUTRAL CONFIGURATIONS:
AN OPTIONAL FULL RATED NEUTRAL CONFIGURATION FOR EACH SOURCE AND THE LOAD MAY BE PROVIDED. WHEN EQUIPPED IT IS IN ONE OF THE FOLLOWING FORMATS AS SPECIFIED BY THE CATALOG NUMBER NO. NEUTRAL TYPE:
(A) SOLID (COPPER BUS) NEUTRAL
(B) SWITCHED NEUTRAL POLE
-  CENTER OF GRAVITY.
- NO KNOCKOUTS ARE PROVIDED.
- EXTERIOR VENTS ARE SUPPLIED WITH POLYESTER DUST FILTERS.

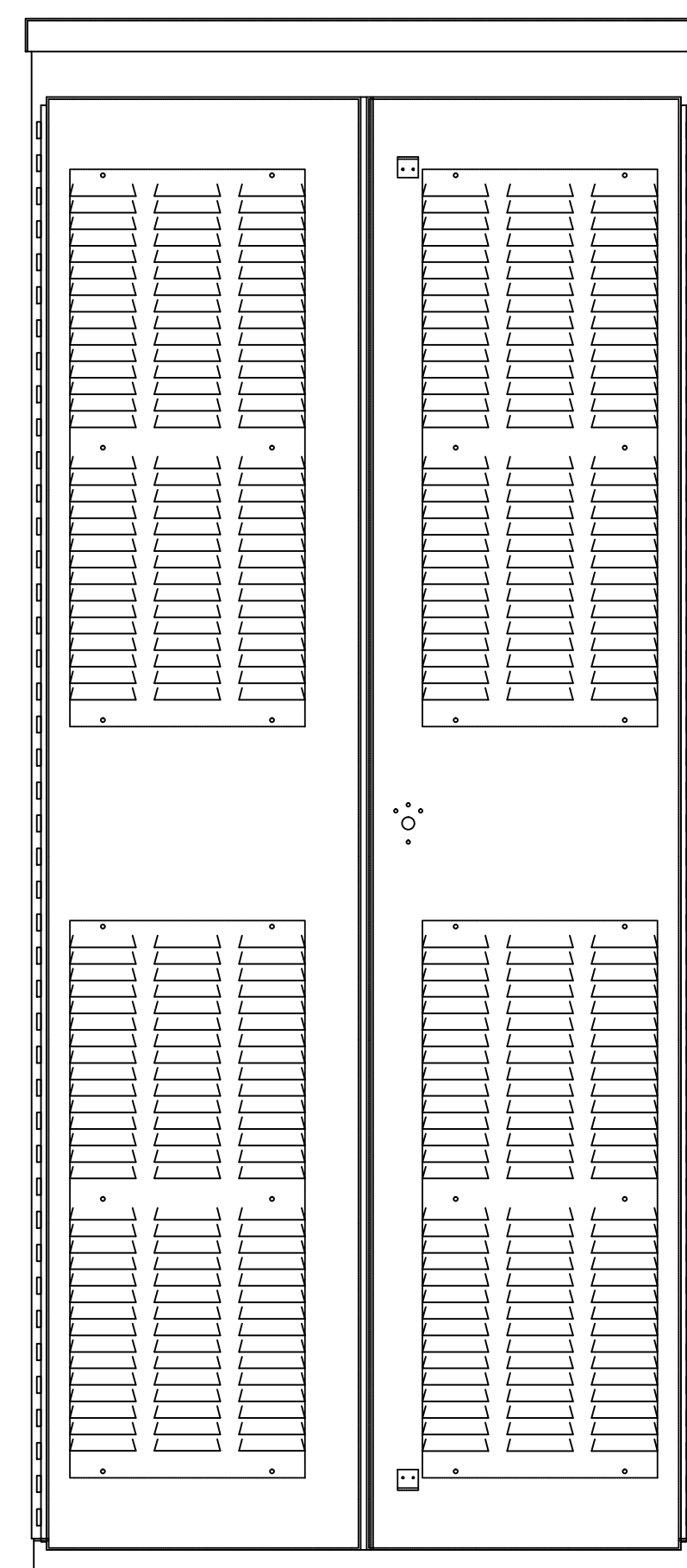
CABLING NOTES

- ALL SIZES SUPPLIED STANDARD WITH MECHANICAL (SCREW TYPE) LUGS. (SEE AMP SIZE BELOW)
A. LUG MATERIAL: ALUMINUM ALLOY 6061-T6 WITH ELECTRO TIN PLATED FINISH.
B. SCREW MATERIAL: ALUMINUM ALLOY 6262-T9 WITH ELECTRO TIN PLATED FINISH.
C. UL LISTED, CSA CERTIFIED.
D. LUG SCREW TIGHTENING TORQUE PER UL 486B: 375 IN-LBS.
E. SUITABLE WIRE BENDING SPACE IS PROVIDED. (SEE AMP SIZE BELOW)
- GROUND LUGS ARE PROVIDED STANDARD AS FOLLOWS. (SEE AMP SIZE BELOW)
A. SUITABLE WIRE BENDING SPACE IS PROVIDED FOR UP TO TWELVE (12) 750MCM CABLES PER TERMINAL PER NEC.
- CUSTOMER TERMINAL BLOCKS:
FOR ALL 300 SERIES UNITS THE TB WILL BE MOUNTED ON THE UPPER RIGHT INSIDE OF ENCLOSURE FOR 3ADTS AND 3NDTS. FOR ALL OTHER UNITS TB WILL BE MOUNTED ON THE TRANSFER SWITCH FRAME AS INDICATED.

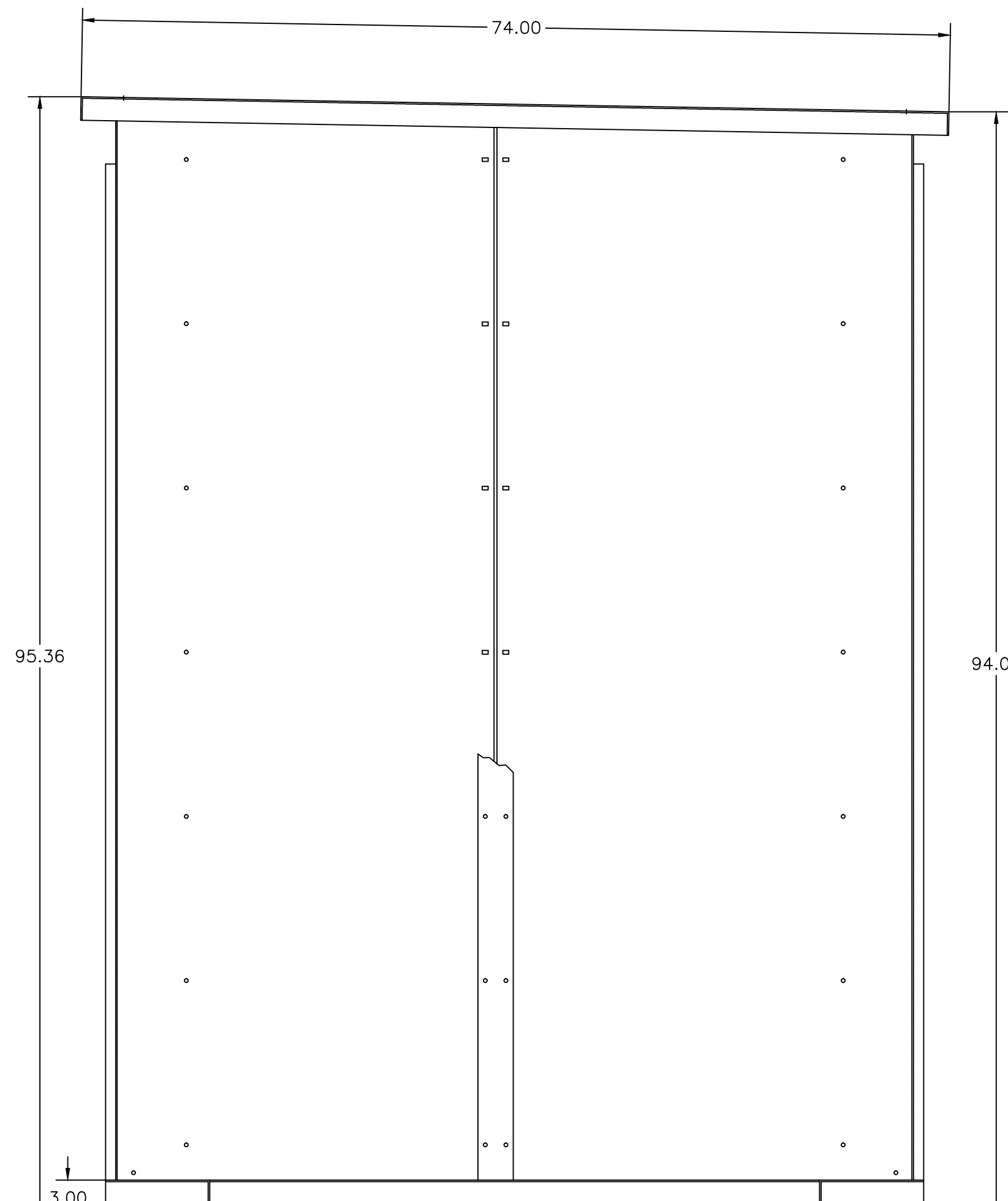
NOTES 2600-3000 AMPS

- SUPPLIED WITH STANDARD MECHANICAL (SCREW TYPE) LUGS ON THE NORMAL, EMERGENCY & LOAD BUS STABS. TWO (2) LUG PER PHASE AND NEUTRAL EACH SUITABLE FOR CONNECTION OF TWELVE (12) 1/0 - 750MCM CU/AL CABLE (SEE NOTE "E" BELOW)
A. SUITABLE WIRE BENDING SPACE IS PROVIDED FOR UP TO TWELVE (12) 750MCM CABLES PER TERMINAL PER NEC.
- GROUND LUGS ARE PROVIDED STANDARD AS FOLLOWS:
(36) 1/0 - 750MCM CU/AL CABLE

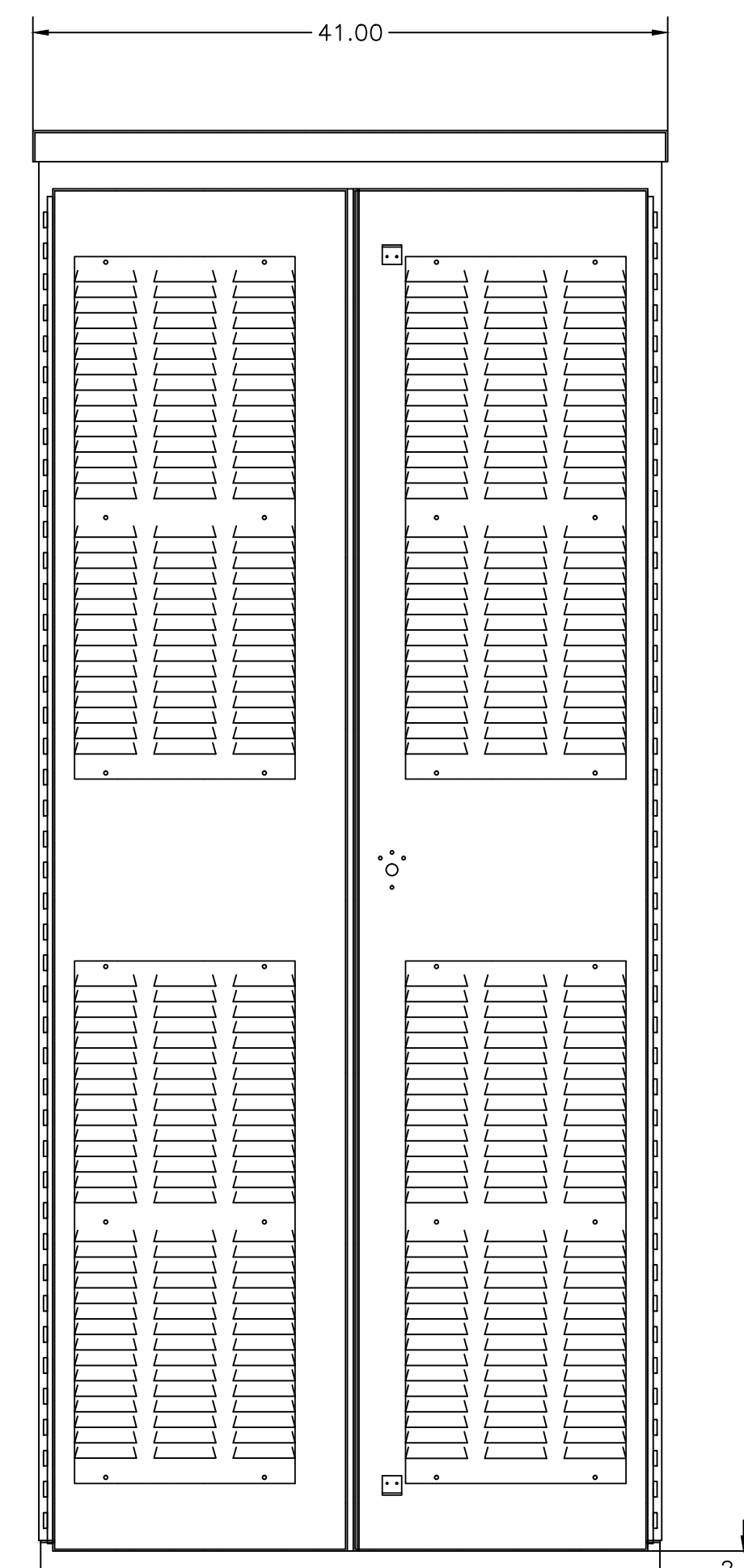
AMP SIZE	POLES	WEIGHTS LB (KG)
2600 TO 3000	2	2000 (908)
	B2	2150 (976)
	C2	2150 (976)
	3	2150 (976)
	B3	2230 (1012)
	C3	2230 (1012)



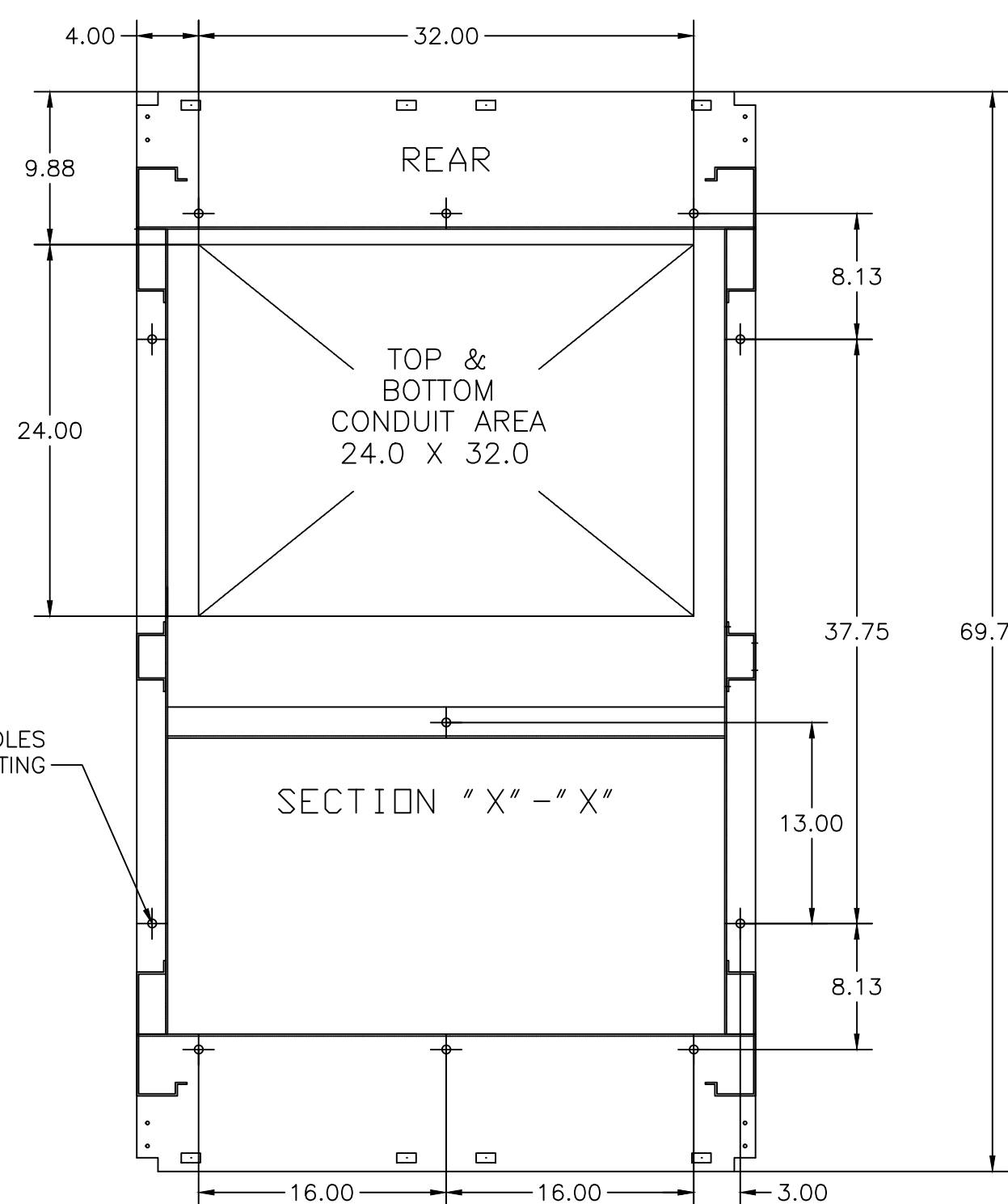
"FRONT VIEW WITH N3R-SKINS"



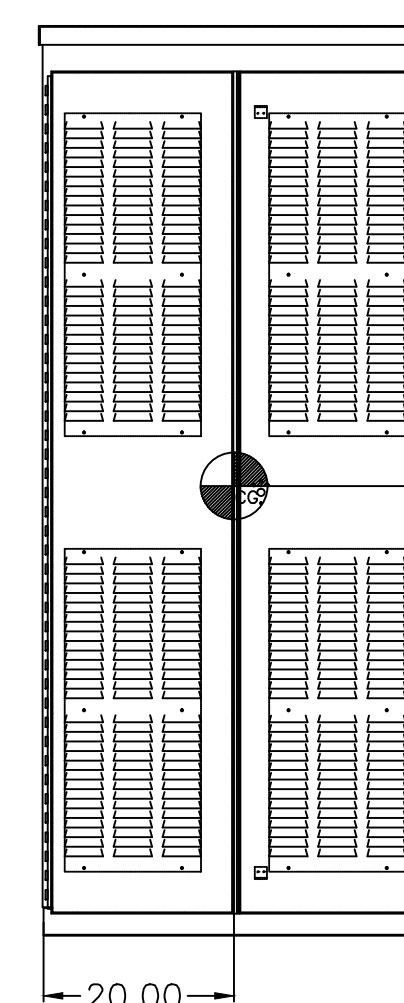
"RIGHT SIDE VIEW WITH N3R-SKINS"



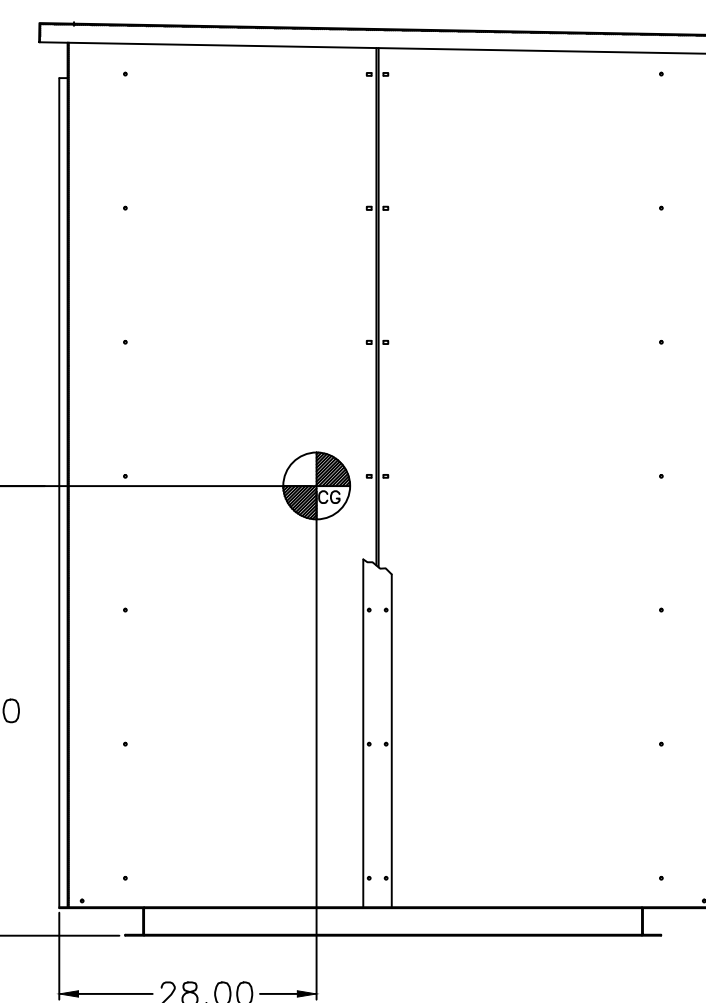
"REAR VIEW WITH N3R-SKINS"



(11).625 DIA. HOLES FOR MOUNTING



"FRONT VIEW"



"RIGHT SIDE VIEW"

B	254523	WK	BK	04/29/15
SEE ECN				
A	248503	AE	BK	5/21/14
ISSUED				
-	245810	AE	BK	12/10/13
ISSUED				

PROJECT NAME: **OUTLINE**

300 SERIES TS "G"
 2600-3000 AMPS. "G" FRAME TYPE 3R SECURE

MANUFACTURING TOLERANCES TO BE IN ACCORDANCE WITH ASCO PROCEDURE MP-1-003. FOR PLASTIC PARTS SEE MP-1-005.

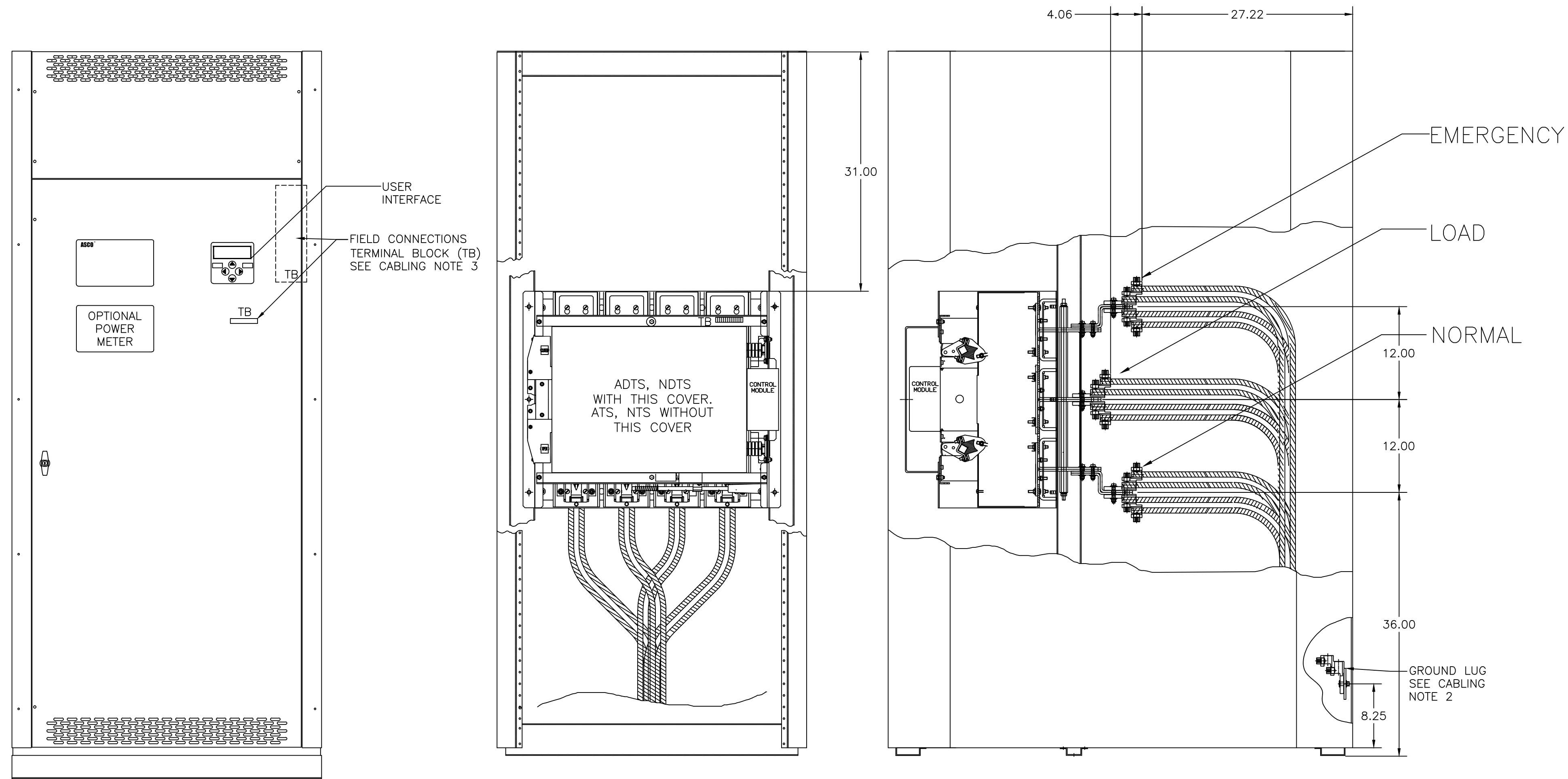
PROPERTY OF ASCO POWER TECHNOLOGIES. USE PERMITTED FOR OUR WORK ONLY. ALL RIGHTS OF DESIGN OR INVENTION ARE RESERVED.

ASCO® ASCO POWER TECHNOLOGIES, L.P.
 FLOHAM PARK, NEW JERSEY 07932 U.S.A.

1001395-003

DRAWING B ECN 254523 SHEET 1 OF 2

8 7 6 5 4 3 2 1
OUTLINE FOR ASCO® 300 SERIES 2600-3000 AMPERE "G" FRAME (3ATS,3NTS,3NDTS,3ADTS) REAR CONNECTED TRANSFER SWITCHES TYPE 3R SECURE ENCLOSURE



"FRONT VIEW WITH COVERS"

"FRONT VIEW W/O COVERS"

"RIGHT SIDE VIEW W/O N3R-SKINS"

B	254523	WK	BK	04/29/15
	SEE ECN			
A	248503	AE	BK	5/21/14
	ISSUED			
-	245810	AE	BK	12/10/13
	ISSUED			

PROJECT NAME:		REV. TO SHEET	ECN NO.	BY	APP.	DATE
OUTLINE						
300 SERIES TS "G"						
2600-3000 AMPS. "G" FRAME TYPE 3R SECURE						
DRAWN BY	AE	DATE	12/10/13	MANUFACTURING TOLERANCES TO BE IN ACCORDANCE WITH ASCO PROCEDURE MP-1-003. FOR PLASTIC PARTS SEE MP-1-055	ASSEM. REF. NO.	COMPUTER GENERATED DRAWING
CHECKED	BK	DATE	12/10/13	PROPERTY OF ASCO POWER TECHNOLOGIES. USE PERMITTED FOR OUR WORK ONLY. ALL RIGHTS OF DESIGN OR INVENTION ARE RESERVED.	SCALE	NONE
PROJECT APPROVAL	BK	DATE	12/10/13		SIZE	DS
FINAL APPROVAL					DWG. NO.	1001395-003
					DRAWING B	ECN NO. 254523
					REV.	SHEET 2 OF 2

ASCO ASCO Power Technologies, L.P.
 FLORHAM PARK, NEW JERSEY 07932 U.S.A.