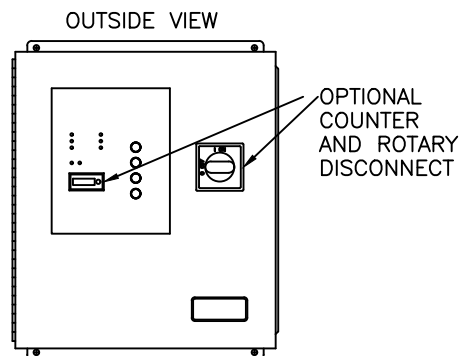
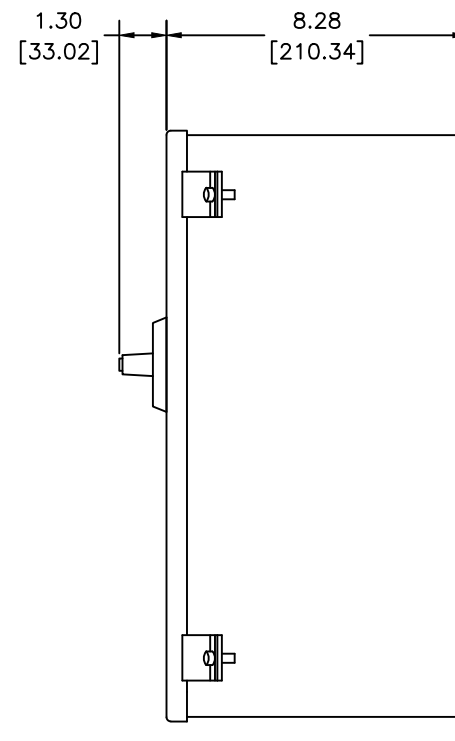


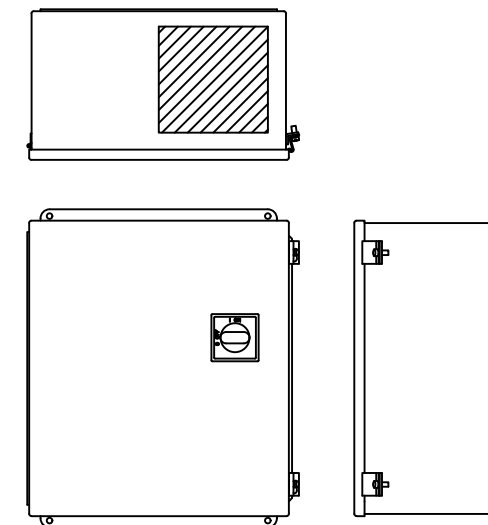
FORM C CONTACTS - SEE NOTE 3



OPTIONAL
COUNTER
AND ROTARY
DISCONNECT



SUGGESTED CONDUIT ENTRANCES
(BASED ON MINIMUM WIRE SIZE)



NOTES:

- INTERNAL VIEW SHOWING FIELD WIRING CONNECTIONS.
- ENCLOSURE IS NEMA 12 RATED.
- (2) FORM C RELAY RATED 5A @ 120-277VAC, pF = 1.0. TERMINAL BLOCKS ACCEPT WIRE RANGE 24-14 AWG.
- RECOMMENDED BREAKER: 40A
RECOMMENDED WIRE SIZE: #8
- APPROXIMATE WEIGHT: 41 LBS [18.6kg].

PROJECT NAME:			REV. TO SHEET	ECN NO.	BY	APP.	DATE
SERIES 500			MODEL 520		 THIRD ANGLE PROJECTION		
200-300kA, Disconnect							
DRAWN BY	AF	DATE	4/10/03	MANUFACTURING TOLERANCES TO BE IN ACCORDANCE WITH ASCO PROCEDURE MP-1-003. FOR PLASTIC PARTS SEE MP-1-055		ASSEM. REF. NO.	
CHECKED	ALG	DATE	4/03	PROPERTY OF ASCO POWER TECHNOLOGIES. USE PERMITTED FOR OUR WORK ONLY. ALL RIGHTS OF DESIGN OR INVENTION ARE RESERVED.			
PROJECT APPROVAL		DATE	2003	 ASCO® ASCO POWER TECHNOLOGIES, L.P. FLORHAM PARK, NEW JERSEY 07932 U.S.A.			
FINAL APPROVAL							
COMPUTER GENERATED DRAWING			SCALE	NONE	SIZE	BS	
DWG. NO.			DD-82224				
DRAWING REV.	0	ECN NO.		SHEET		1 OF 1	