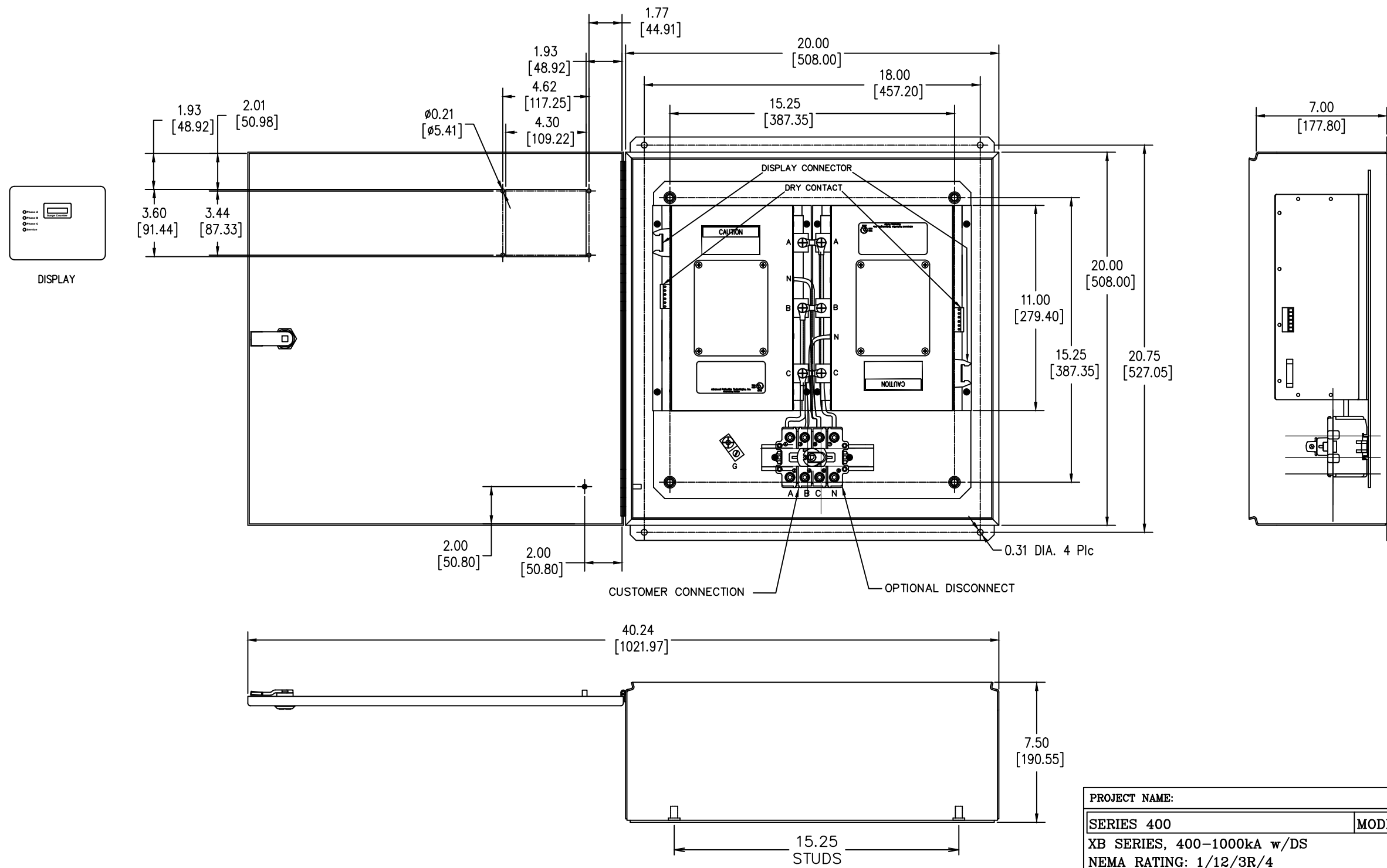


SURGE PROTECTIVE DEVICE (SPD)
WEIGHTS & DIMENSIONS
NEMA RATING: 1/12/3R/4



ENCLOSURE SPECS.
DESC: ENCLOSURE, HINGED
DIM: 20"H x 20"W x 7"D
FINISH: POWDERCOAT ANSI 61 GRAY
MAT: CARBON STEEL, 14 GAUGE
NEMA RATING: 1/12/3R/4
DEVICE WEIGHT: 51.95LBS. (23.56KG.)

PROJECT NAME:		REV. TO SHEET	ECN NO.	BY	APP.	DATE
SERIES 400		MODEL 480, 485		 THIRD ANGLE PROJECTION		
XB SERIES, 400-1000kA w/DS		NEMA RATING: 1/12/3R/4				
DRAWN BY	HD	DATE	7/18/09	MANUFACTURING TOLERANCES TO BE IN ACCORDANCE WITH ASCO PROCEDURE MP-1-003. FOR PLASTIC PARTS SEE MP-1-055		ASSEM. REF. NO.
CHECKED	MJG	DATE	7/18/09	PROPERTY OF ASCO POWER TECHNOLOGIES. USE PERMITTED FOR OUR WORK ONLY. ALL RIGHTS OF DESIGN OR INVENTION ARE RESERVED.		SCALE NONE SIZE BS
PROJECT APPROVAL	MJG	DATE	7/18/09	ASCO POWER TECHNOLOGIES, L.P. FLORHAM PARK, NEW JERSEY 07932 U.S.A.		DWG. NO. DD-TEXBDS-4
FINAL APPROVAL				DRAWING REV. 0	ECN NO.	SHEET 1 OF 1