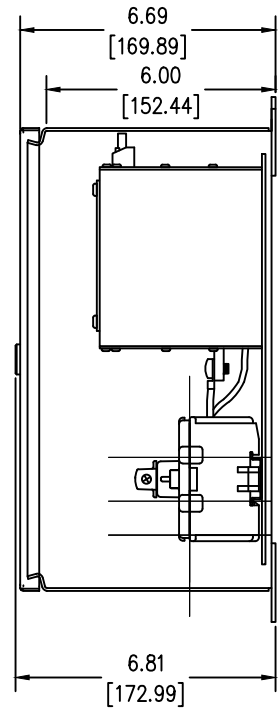
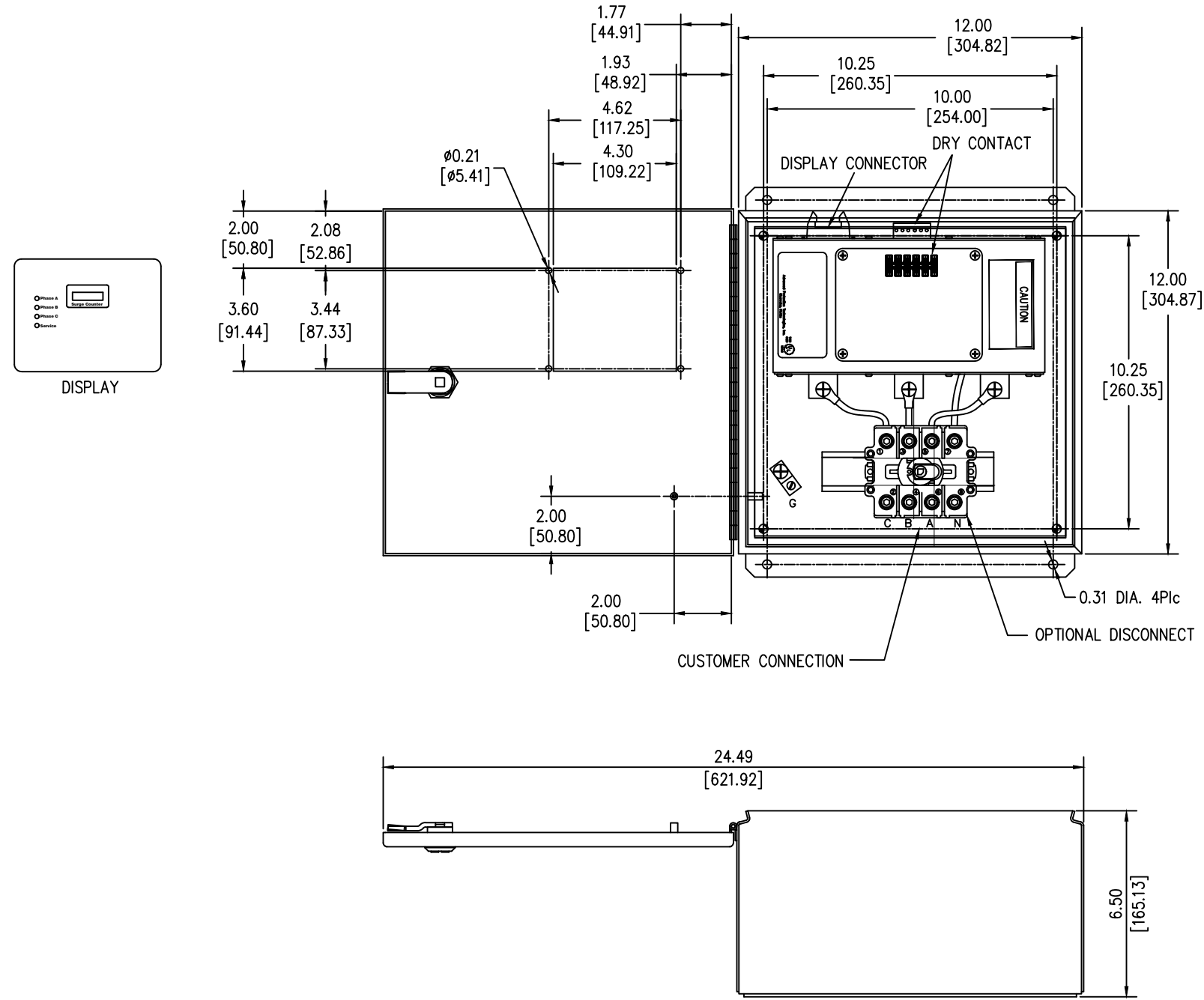


SURGE PROTECTIVE DEVICE (SPD)
 WEIGHTS & DIMENSIONS
 NEMA RATING: 1/12/3R/4



ENCLOSURE SPECS.
 DESC: ENCLOSURE, HINGED
 DIM: 12"H x 12"W x 6"D
 MAT: CARBON STEEL, 16 GAUGE
 FINISH: POWDERCOAT ANSI 61 GRAY
 NEMA RATING: 1/12/3R/4
 DEVICE WEIGHT: 23.10LBS. (10.47KG.)

PROJECT NAME:		REV. TO SHEET	ECN NO.	BY	APP.	DATE
SERIES 400		MODEL 460		 THIRD ANGLE PROJECTION		
100k-300k w/ DS		COMPUTER GENERATED DRAWING				
NEMA RATING: 1/12/3R/4		SCALE NONE	SIZE BS	DWG. NO.		
DRAWN BY	HD	DATE	7/18/09	PROPERTY OF ASCO POWER TECHNOLOGIES. USE PERMITTED FOR OUR WORK ONLY. ALL RIGHTS OF DESIGN OR INVENTION ARE RESERVED.		
CHECKED	MJG	DATE	7/18/09	ASCO ASCO POWER TECHNOLOGIES, L.P. FLORHAM PARK, NEW JERSEY 07932 U.S.A.		
PROJECT APPROVAL	MJG	DATE	7/18/09	DRAWING REV.	0	ECN NO.
FINAL APPROVAL						SHEET 1 OF 1