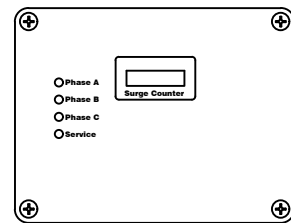
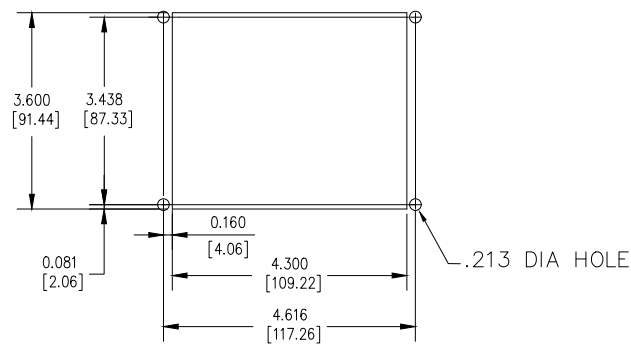


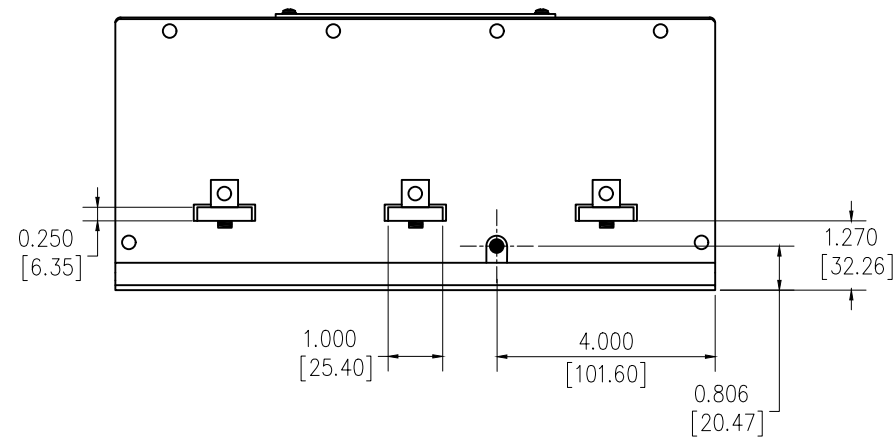
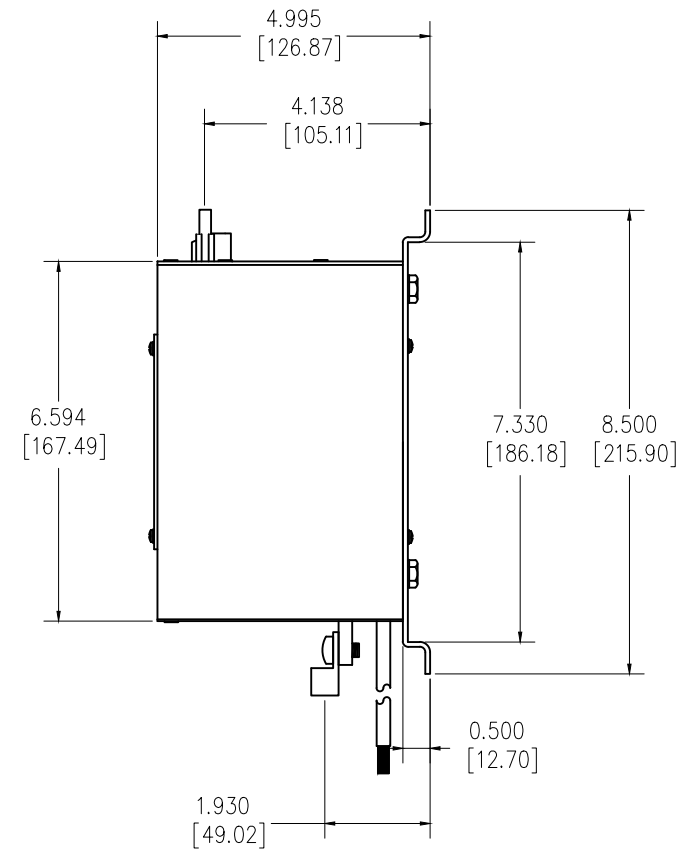
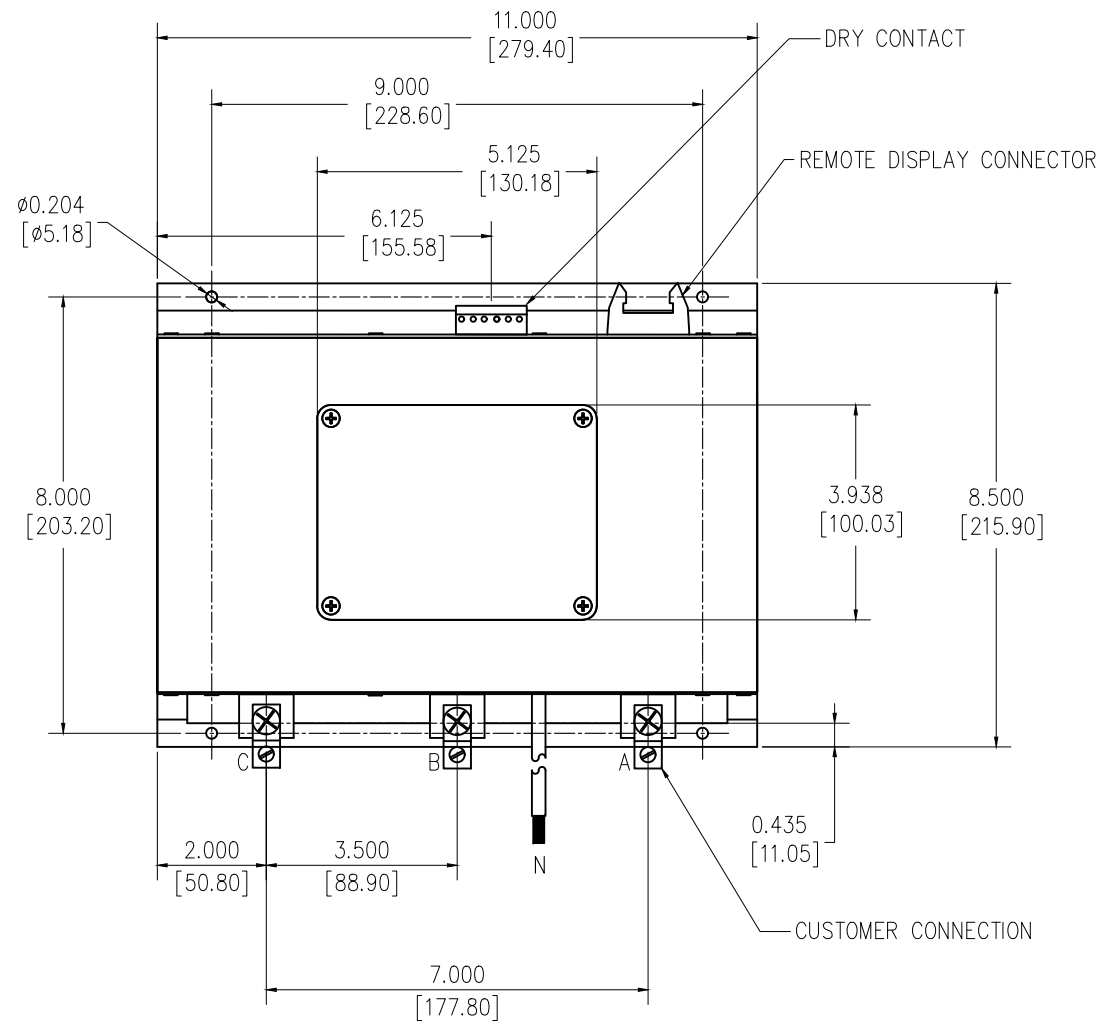
# SURGE PROTECTIVE DEVICE (SPD) WEIGHTS & DIMENSIONS



REMOTE DISPLAY



REMOTE DISPLAY CUT-OUT REFERENCE



SPECS.  
DESC: XW SERIES SPD MODULE  
KA RATING: 300-500  
In RATING: 20KA  
OVERALL DIM: 11"L x 8.5"W x 5"D  
ENCL. MAT: ALUMINUM, 16 GAUGE  
FINISH: BLACK POWDERCOAT  
DEVICE WEIGHT: 6.55 LBS. (2.97 KG.)

PROJECT NAME:		REV. TO SHEET	ECN NO.	BY	APP.	DATE	
SERIES 400		MODEL 452 & 453		 THIRD ANGLE PROJECTION			
XW SERIES MODULE DIMENSIONAL DRAWING							
DRAWN BY	HD	DATE	8/17/09	ASSEM. REF. NO.	COMPUTER GENERATED DRAWING		
CHECKED	MJG	DATE	8/17/09	PROPERTY OF ASCO POWER TECHNOLOGIES. USE PERMITTED FOR OUR WORK ONLY. ALL RIGHTS OF DESIGN OR INVENTION ARE RESERVED.		SCALE NONE	SIZE BS
PROJECT APPROVAL	MJG	DATE	8/17/09	ASCO POWER TECHNOLOGIES, L.P. FLORHAM PARK, NEW JERSEY 07932 U.S.A.		DWG. NO.	DD-TEXW
FINAL APPROVAL				DRAWING REV.	0	ECN NO.	
						SHEET	1 OF 1