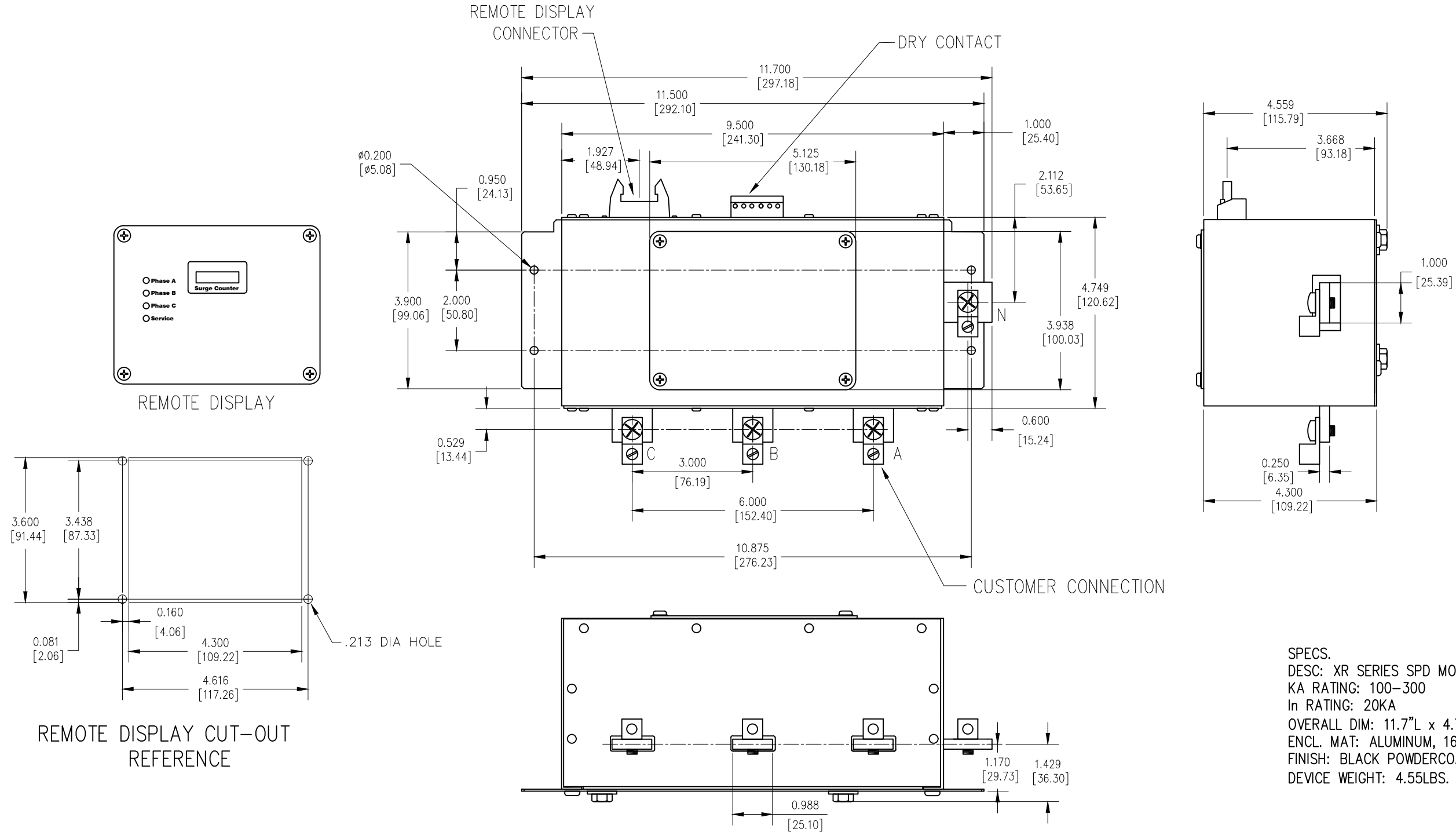


# SURGE PROTECTIVE DEVICE (SPD) WEIGHTS & DIMENSIONS



**SPECS.**  
 DESC: XR SERIES SPD MODULE  
 KA RATING: 100-300  
 In RATING: 20KA  
 OVERALL DIM: 11.7"L x 4.75"W x 4.5"D  
 ENCL. MAT: ALUMINUM, 16 GAUGE  
 FINISH: BLACK POWDERCOAT  
 DEVICE WEIGHT: 4.55LBS. (2.06KG.)

<b>PROJECT NAME:</b>		REV. TO SHEET	ECN NO.	BY	APP.	DATE
SERIES 400		MODEL 450		 THIRD ANGLE PROJECTION		
XR SERIES DIMENSIONAL DRAWING						
DRAWN BY	HD	DATE	8/17/09	MANUFACTURING TOLERANCES TO BE IN ACCORDANCE WITH ASCO PROCEDURE MP-1-003. FOR PLASTIC PARTS SEE MP-1-055.		
CHECKED	MJG	DATE	8/17/09	PROPERTY OF ASCO POWER TECHNOLOGIES. USE PERMITTED FOR OUR WORK ONLY. ALL RIGHTS OF DESIGN OR INVENTION ARE RESERVED.		
PROJECT APPROVAL	MJG	DATE	8/17/09	ASSEM. REF. NO.		
FINAL APPROVAL				SCALE NONE SIZE BS		
<b>ASCO</b> ASCO POWER TECHNOLOGIES, L.P. FLORHAM PARK, NEW JERSEY 07932 U.S.A.				COMPUTER GENERATED DRAWING		
				DWG. NO. DD-TEXR		
DRAWING REV. 0				ECN NO.	SHEET 1 OF 1	