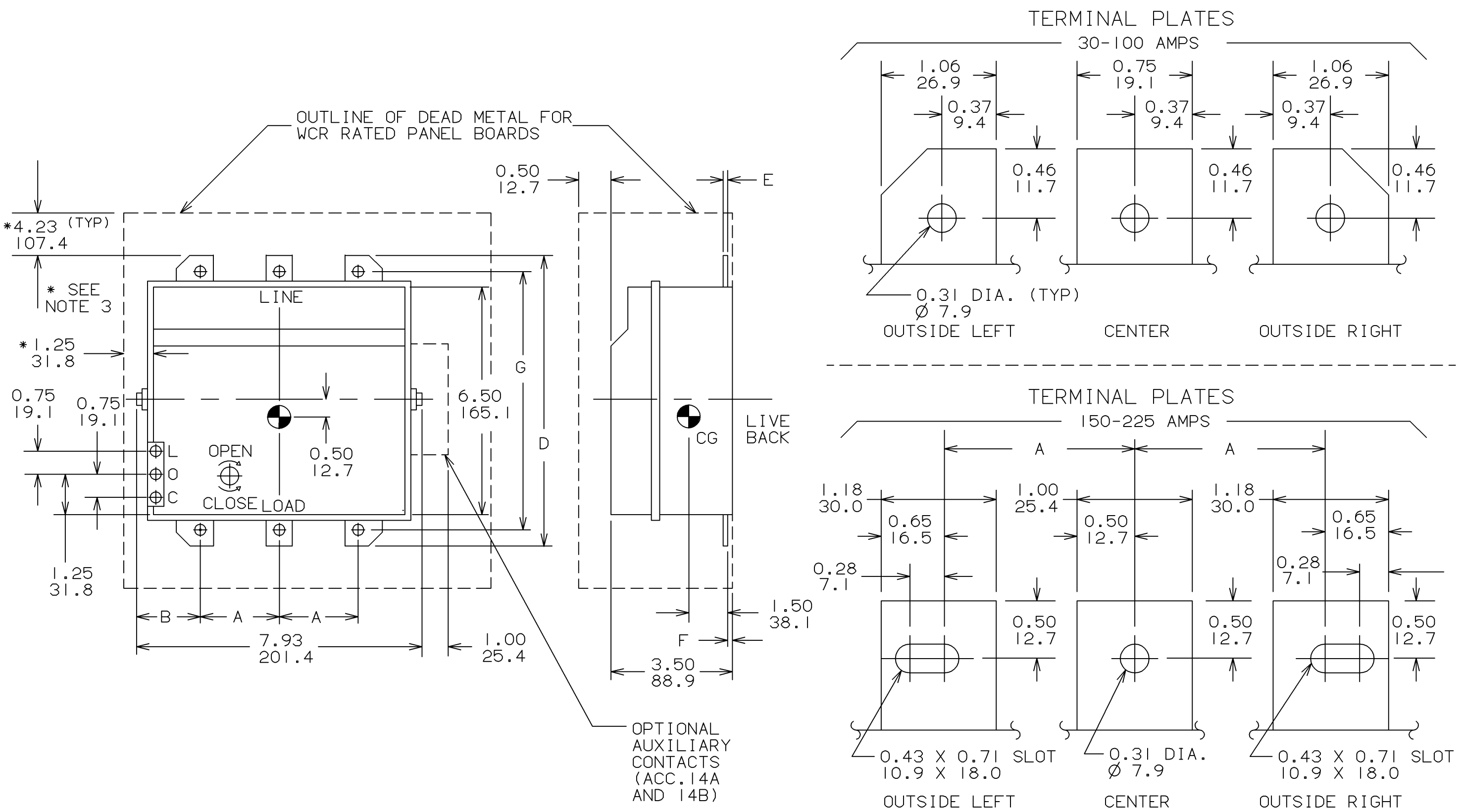
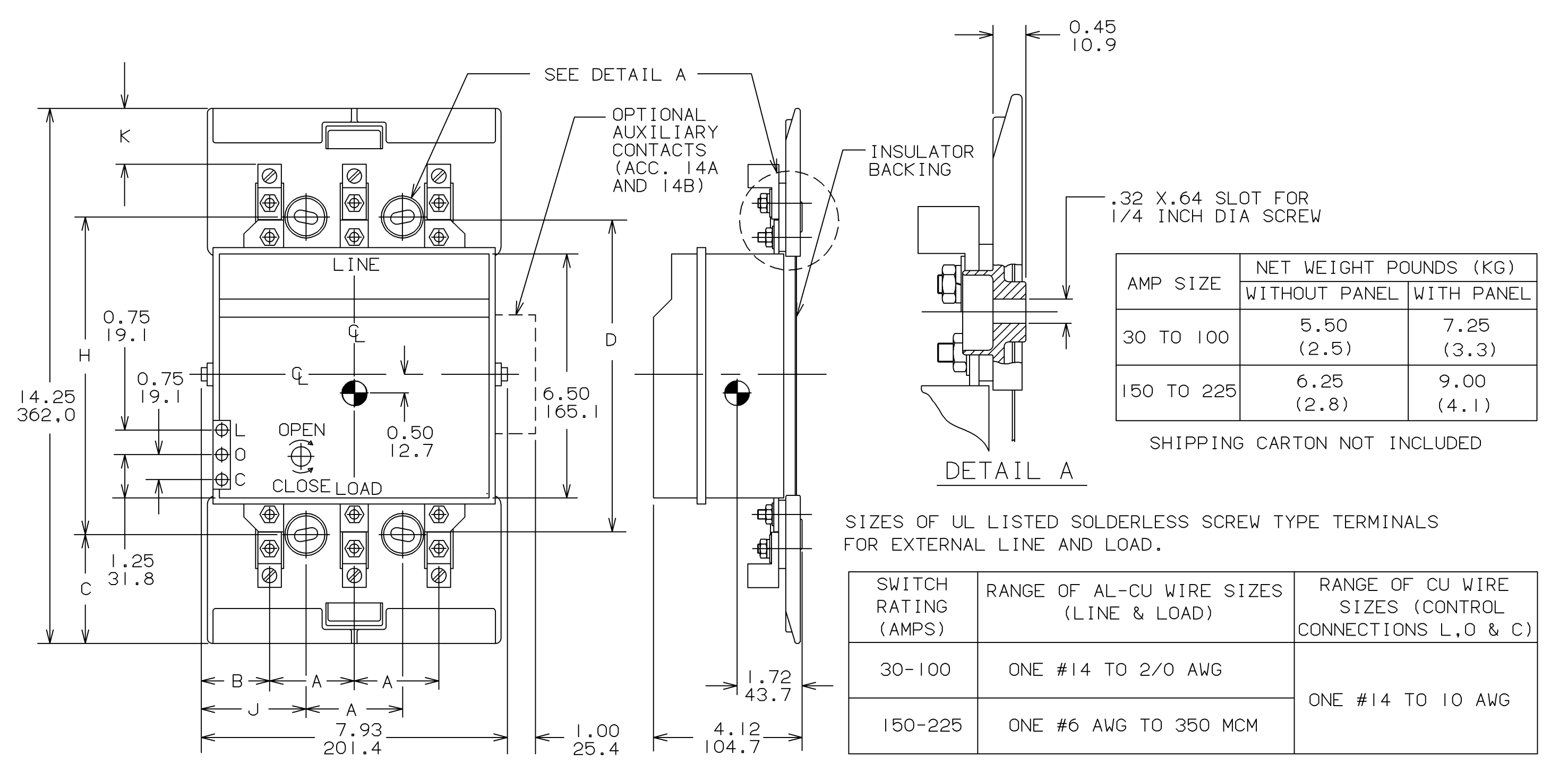


AMP SIZE	OPEN TYPE DIMENSIONS (WITH AND WITHOUT SUB PANEL)									
	A	B	C	D	E	F	G	H	J	K
30A-100A	2.25 57.2	1.71 43.4	2.94 74.7	8.31 211.1	0.12 0.3	0.16 4.1	7.37 187.2	8.37 212.6	2.83 71.9	1.44 36.6
150A-225A	2.87 72.9	1.08 27.4	2.87 72.9	9.50 241.3	0.18 4.6	0.09 2.3	8.50 215.9	8.50 215.9	2.52 64.0	0.31 7.9

30 THRU 225 AMP WITHOUT SUB PANEL

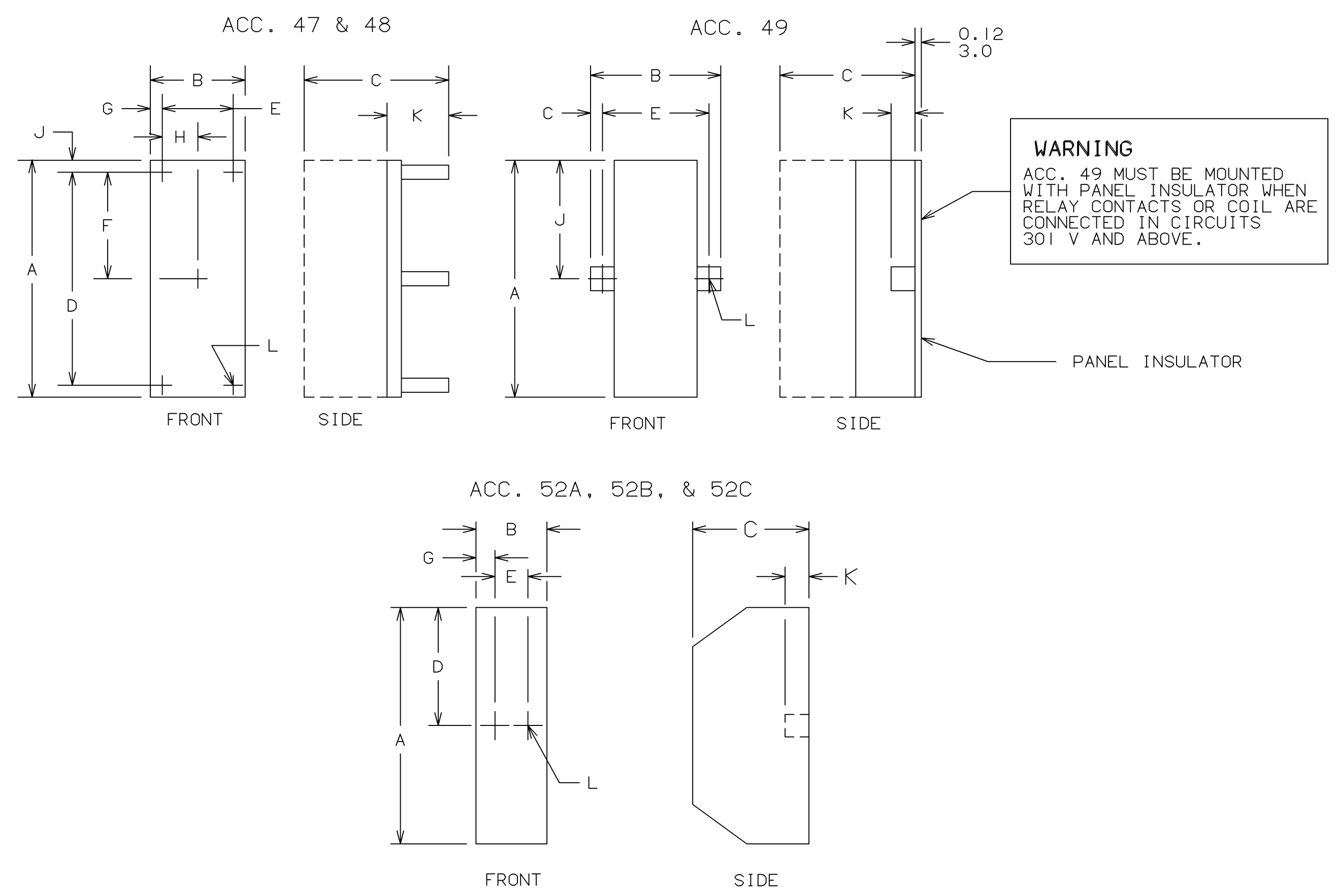


30 THRU 225 AMP WITH SUB PANEL



OPT ACC	DESCRIPTION	OPTIONAL ACCESSORIES OPEN TYPE DIMENSIONS											
		A	B	C	D	E	F	G	H	J	K	L	
47	RELAY FOR TWO WIRE CONTROL												
48	RELAY FOR THREE WIRE CONTROL	6.50 165.1	2.00 50.8	3.37 85.6	6.12 155.4	1.62 41.1	3.06 77.7	0.18 4.6	0.81 20.6	4.6 116.8	0.18 4.6	0.87 22.1	0.17 4.3
49	FORM THREE CONTROL RELAY	3.18 80.7	1.87 47.5	3.12 79.2	—	1.62 41.1	—	0.12 3.0	—	1.59 40.4	0.25 6.4	0.16 Ø4.1	
52A	ONE(1) FUSE-300V AC MAXIMUM-GROUNDED												
52B	TWO(2) FUSES-300V AC MAXIMUM-UNGROUNDDED	3.00 76.2	0.85 21.6	1.14 29.0	1.50 38.1	0.36 9.1	—	0.25 6.4	—	—	—	0.16 4.1	0.14 Ø3.6
52C	TWO(2) FUSES-301-600V AC-UNGROUNDDED												

OPTIONAL ACCESSORIES

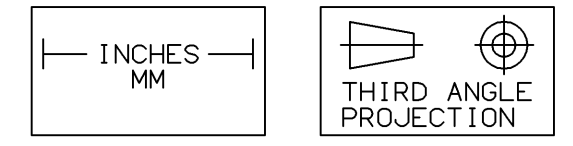


GENERAL NOTES

1. FOR TWO POLE SWITCHES OMIT CENTER POLE.
2. LINE AND LOAD CONNECTIONS ARE REVERSIBLE.
3. THESE DIMENSIONS FOR MINIMUM PROXIMITY TO GROUNDED METAL PARTS BASED ON 22KA SYM. QUALIFICATION TESTS.
4. INSTALLATION MANUAL 381333-005, IS FURNISHED WITH EACH REMOTE CONTROL SWITCH. REFER TO THIS PUBLICATION PRIOR TO INSTALLATION AND OPERATION OF THE SWITCH.

FOR ENCLOSED TYPE DIMENSIONS REFER TO COMPOSITE ENCLOSURE DRAWING GS 331-850.
FOR WIRING DIAGRAM REFER TO COMPOSITE DRAWING GS 331-851.

CATALOG NO.			
CERTIFIED			
TO ASCO	s.o.		
DATE	BY		



COMPUTER GENERATED DRAWING

ASCO ASCO Power Technologies, L.P.
FLORHAM PARK, NEW JERSEY 07932 U.S.A.

BY	DATE	PROPERTY OF ASCO POWER TECHNOLOGIES.
DRAWN	TEK 4/83	USE PERMITTED FOR OUR WORK ONLY.
CHECKED	CR 4/83	ALL RIGHTS OF DESIGN OR INVENTION ARE RESERVED.
DFTG APVL	FM 4/83	
ENGR APVL	PDG 4/83	

COMPOSITE OUTLINE AND MOUNTING DIMENSIONS FOR OPEN TYPE 2 OR 3 POLE

ASCO 920 REMOTE CONTROL SWITCH

207167	SEE ECN	M	01/09/06	BWM
150085	SEE ECN	L	12-11-98	JJC
133964	SEE ECN	K	03/22/95	JW
124926	SEE ECN	J	03/01/93	RJ
119013	SEE ECN	H	12/20/91	RJ
112512	SEE ECN	G	04/17/90	RJ
91955	SEE ER	F	1/9/86	FM
ER NO	ITEM	CHGD	CHG	DATE
				APVL
DS 331849				
CHG LTR	M			