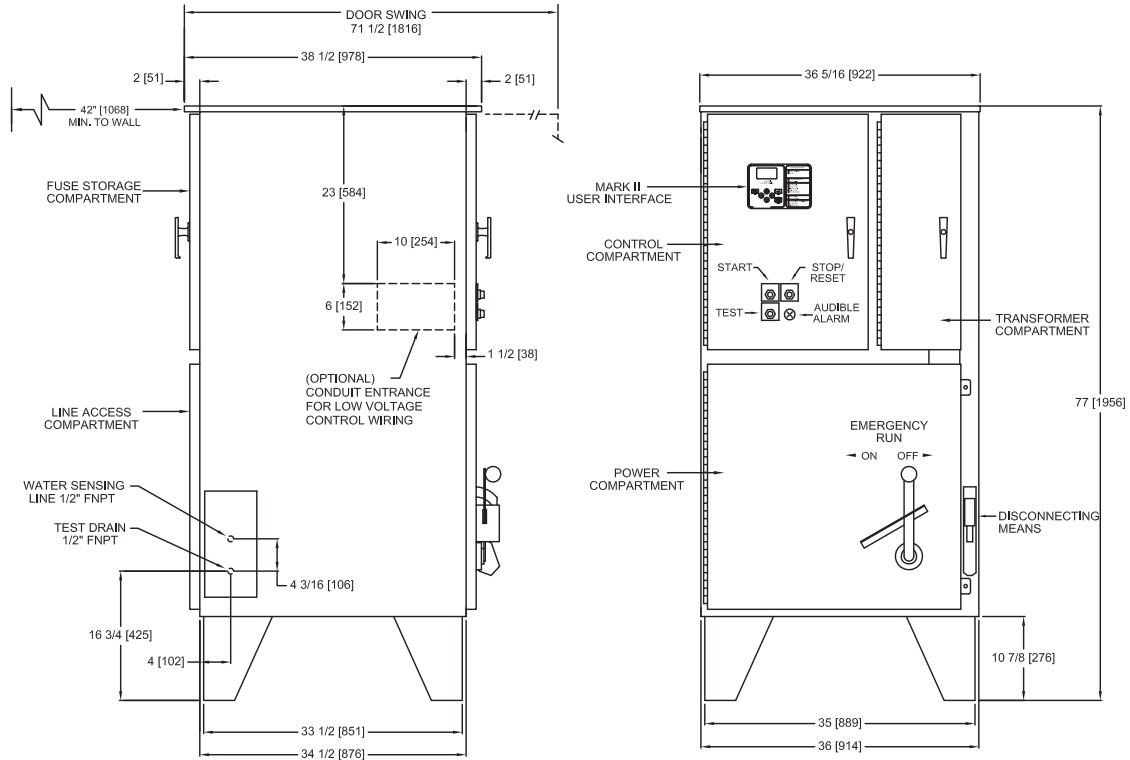


**FTA2000
Medium Voltage
Starting**

Firetrol®

Mark IIxG Electric Fire Pump Controller

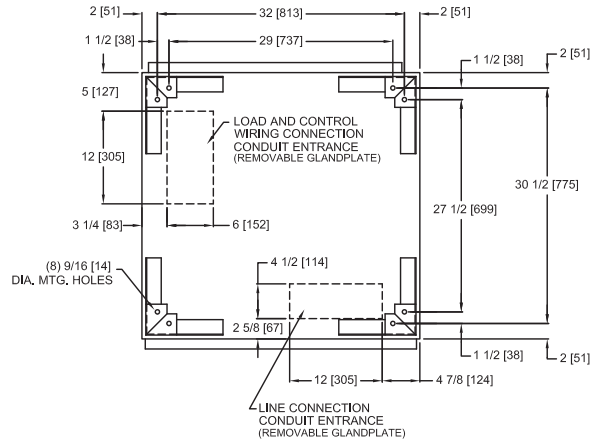
FTA2000
Medium Voltage Starting
Dimensional Drawing



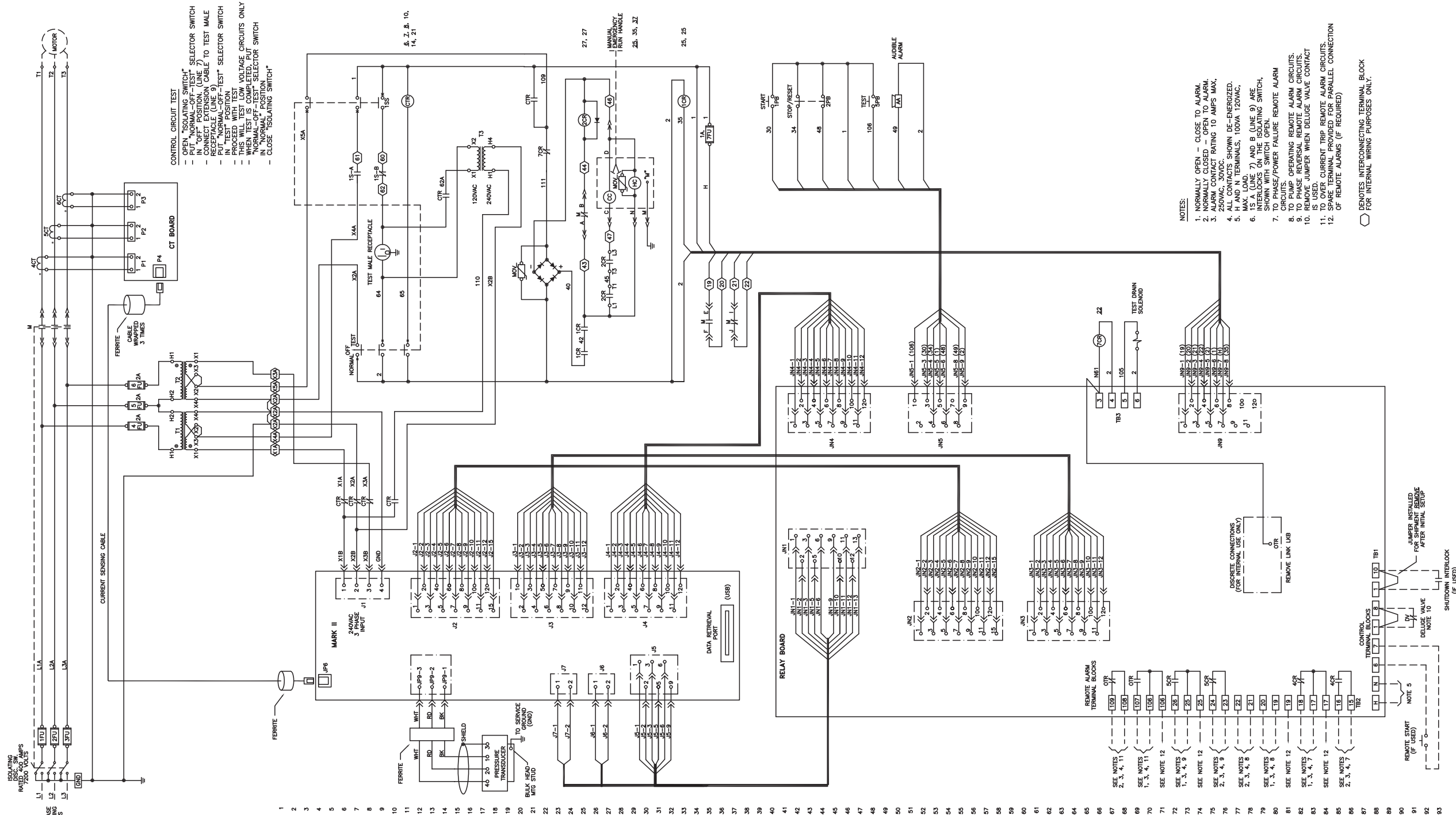
DO NOT INSTALL IN AMBIENT TEMPERATURES BELOW 41°F [5°C]
DIMENSIONS SHOWN ON THIS DRAWING ARE APPLICABLE FOR NEMA TYPES 2/3R/4/4X/12
ALL DIMENSIONS - INCHES [MM]
SHIPPING WEIGHT - POUNDS [KG]

APPROXIMATE SHIPPING WEIGHT
1000 [453]

CAUTION
CONTROLLER TEST DRAIN MUST BE PIPED TO A WASTE DRAIN. FAILURE TO CONNECT THE TEST DRAIN TO A FLOOR DRAIN WILL RESULT IN UNSAFE CONDITIONS OF WATER UNDER AND AROUND THE CONTROLLER.



REVISED WATER SENSING & TEST DRAIN NOTES		C	249452	JMW	TF	07/10/14
ADDED TEST PUSHBUTTON AND TEST DRAIN		B	229903	GFD	TF	12/03/10
ADDED MARKII XG AND AUDIBLE ALARM		A	225812	JW	TF	01/13/10
PROJECT NAME:		REV. TO SHEET	ECN NO.	BY	APP.	DATE
DIMENSIONS AND SHIPPING WEIGHT		FTA2000		<p>THIRD ANGLE PROJECTION</p>		
5/7.2KV CLASS ELECTRIC FIRE PUMP CONTROLLER						
DRAWN BY	TF	DATE	05/07/03	MANUFACTURING TOLERANCES TO BE IN ACCORDANCE WITH ASCO PROCEDURE MP-1-003. FOR PLASTIC PARTS SEE MP-1-055		ASSEM. REF. NO.
CHECKED				PROPERTY OF ASCO POWER TECHNOLOGIES. USE PERMITTED FOR OUR WORK ONLY. ALL RIGHTS OF DESIGN OR INVENTION ARE RESERVED.		
PROJECT APPROVAL				COMPUTER GENERATED DRAWING		
FINAL APPROVAL	TF	DATE	05/07/03	SCALE	1:1	SIZE
				DWG. NO.		A
				DD2000-20		
				DRAWING REV.	C	ECN NO. 249452
						SHEET 1 OF 1



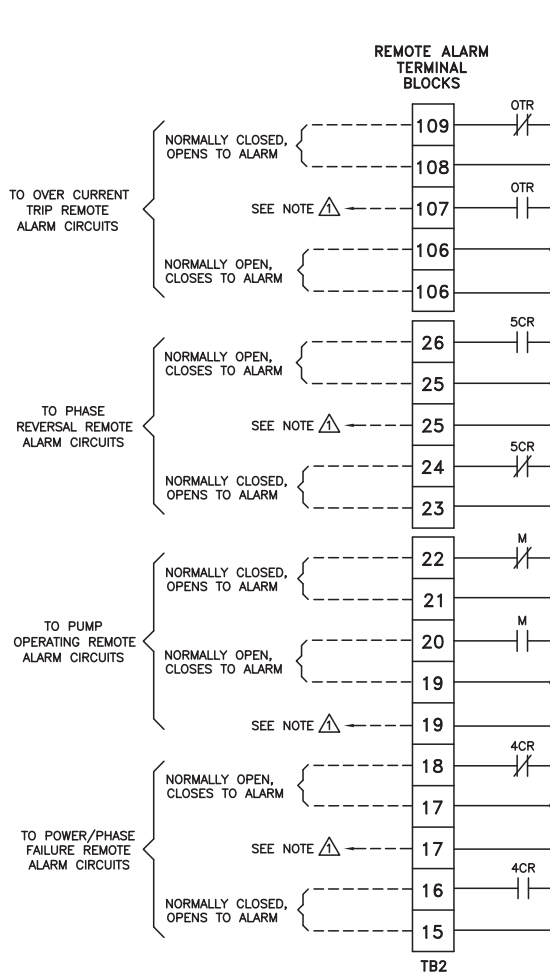
ADDED AUDIBLE ALARM, TEST PUSHBUTTON, AND TEST DRAIN SOLENOID	C	229903	GFD	TEF	12/03/10
REMOVED PRINTER/CHANGED FLOPPY TO DATA RETRIEVAL PORT	B	-	-	-	06-18-07
PROJECT NAME:	REV. TO SHEET	ECN NO.	BY	APP.	DATE
WIRING SCHEMATIC		FTA2000		<p>THIRD ANGLE PROJECTION</p>	
5/7.2KV CLASS ELECTRIC FIRE PUMP CONTROLLER					
DRAWN BY	BY	DATE	MANUFACTURING TOLERANCES TO BE IN ACCORDANCE WITH ASCO PROCEDURE MP-1-003. FOR PLASTIC PARTS SEE MP-1-055		COMPUTER GENERATED DRAWING
CHECKED			PROPERTY OF ASCO POWER TECHNOLOGIES. USE PERMITTED FOR OUR WORK ONLY. ALL RIGHTS OF DESIGN OR INVENTION ARE RESERVED.		SCALE 1:1 SIZE B
PROJECT APPROVAL			ASSEM. REF. NO.		DWG. NO. WS2000-20
FINAL APPROVAL	TEF	05-06-03	ASCO ASCO POWER TECHNOLOGIES, L.P. FLORHAM PARK, NEW JERSEY 07932 U.S.A.		DRAWING REV. C ECN NO. 229903 SHEET 1 OF 1

Firetrol®

Mark IIxG Electric Fire Pump Controller

FTA2000

Medium Voltage Starting Field Connections



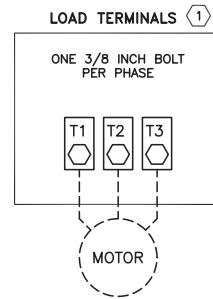
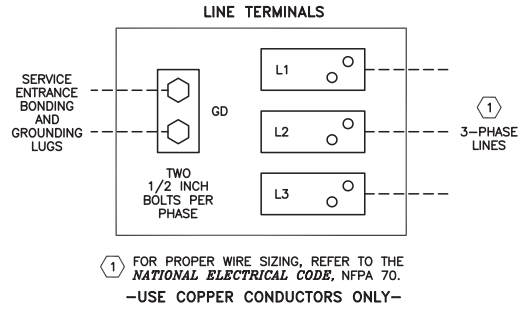
Δ SPARE TERMINALS PROVIDED FOR PARALLEL CONNECTION OF REMOTE ALARMS (IF REQUIRED)

NOTE: TERMINALS FOR CUSTOMER CONNECTIONS REQUIRE 3.5MM SLOTTED SCREW DRIVER

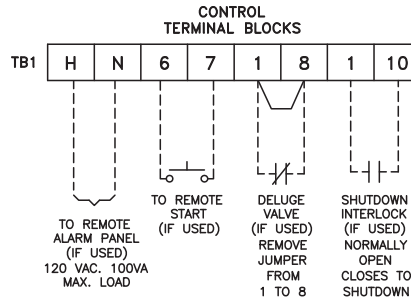
TERMINAL TIGHTENING TORQUE		
TERMINAL TYPE	WIRE SIZE	TIGHTENING TORQUE
CONTROL AND ALARM TERMINALS	#14-12 AWG [2.5-4 MM ²]	5.6 lb-in [.6 Nm]

-USE COPPER CONDUCTORS ONLY-

-NOTE-
ALARM CONTACT
RATING PILOT DUTY
250 VAC, 30 VDC
10 A. MAX. LOAD



- NOTES**
- Incoming line terminals are provided to accommodate wire sizes at 125% of motor full load current per NFPA 70-2008, National Electrical Code, Table 430-250, Section 695.6(c), and Table 310-73, 75' rated Copper conductors.
 - Controller is phase rotation sensitive. Incoming lines L1, L2 and L3 must be in ASC, left hand rotation sequence for proper operation of the phase monitor.
 - Motor connections shown are typical. Since motor connections vary widely, refer to the motor connection diagram for specific wiring arrangement.



PRESSURE SYSTEM CONNECTION
1/2" FNPT

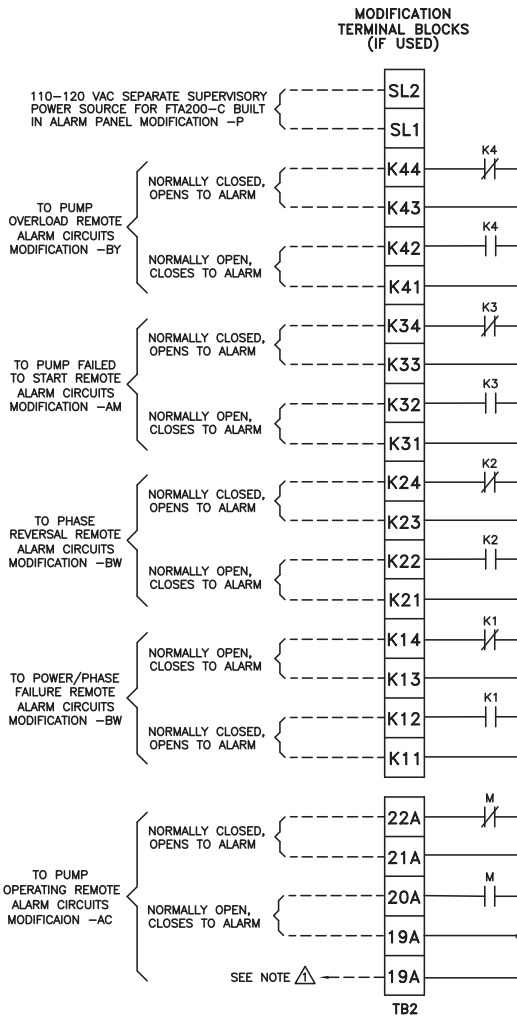
REVISED TITLE BLOCK, ADDED NOTE FOR COPPER CONDUCTORS ONLY				A	226169	TEF	TEF	02/09/10
PROJECT NAME:				REV. TO SHEET	ECN NO.	BY	APP.	DATE
FIELD CONNECTIONS				FTA2000		<p>THIRD ANGLE PROJECTION</p>		
MEDIUM VOLTAGE ELECTRIC FIRE PUMP CONTROLLER 5/7.2KV CLASS.								
BY	DATE	MANUFACTURING TOLERANCES TO BE IN ACCORDANCE WITH ASCO PROCEDURE MP-1-003. FOR PLASTIC PARTS SEE MP-1-055		ASSEM. REF. NO.		COMPUTER GENERATED DRAWING		
CHECKED		PROPERTY OF ASCO POWER TECHNOLOGIES. USE PERMITTED FOR OUR WORK ONLY. ALL RIGHTS OF DESIGN OR INVENTION ARE RESERVED.				SCALE	N/A	SIZE
PROJECT APPROVAL						DWG. NO.		
FINAL APPROVAL	TEF	05/07/03	ASCO® ASCO POWER TECHNOLOGIES, L.P. FLORHAM PARK, NEW JERSEY 07932 U.S.A.		DRAWING A		ECN NO.	226169
						FC2000-20		
						SHEET 1 OF 2		

Firetrol®

Mark IIxG Electric Fire Pump Controller

FTA2000

Medium Voltage Starting Field Connections



Δ SPARE TERMINALS PROVIDED FOR PARALLEL CONNECTION OF REMOTE ALARMS (IF REQUIRED)

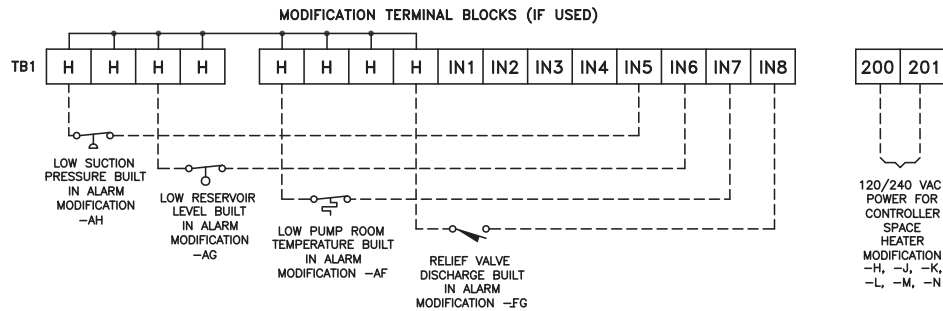
NOTE: TERMINALS FOR CUSTOMER CONNECTIONS REQUIRE 3.5MM SLOTTED SCREW DRIVER

TERMINAL TIGHTENING TORQUE		
TERMINAL TYPE	WIRE SIZE	TIGHTENING TORQUE
CONTROL AND ALARM TERMINALS	#14-12 AWG [2.5-4 MM ²]	5.6 lb-in [0.6 Nm]

-USE COPPER CONDUCTORS ONLY-

-NOTE-
ALARM CONTACT RATING PILOT DUTY 250 VAC, 30 VDC 10 A. MAX. LOAD

NOTE: TERMINAL NUMBERS SUBJECT TO CHANGE WITHOUT NOTICE FOR REFERENCE ONLY. REQUEST CONSTRUCTION DRAWINGS FROM FIRETROL OR YOUR LOCAL FIRETROL REPRESENTATIVE.



REVISED TITLE BLOCK, ADDED NOTE FOR COPPER CONDUCTORS ONLY				A	226169	TEF	TEF	02/09/10
PROJECT NAME:				REV. TO SHEET	ECN NO.	BY	APP.	DATE
FIELD CONNECTIONS				FTA2000		<p>THIRD ANGLE PROJECTION</p>		
MEDIUM VOLTAGE ELECTRIC FIRE PUMP CONTROLLER 5/7.2KV CLASS.								
BY	DATE	MANUFACTURING TOLERANCES TO BE IN ACCORDANCE WITH ASCO PROCEDURE MP-1-003. FOR PLASTIC PARTS SEE MP-1-055		ASSEM. REF. NO.		COMPUTER GENERATED DRAWING		
CHECKED		PROPERTY OF ASCO POWER TECHNOLOGIES. USE PERMITTED FOR OUR WORK ONLY. ALL RIGHTS OF DESIGN OR INVENTION ARE RESERVED.		SCALE	N/A	SIZE	A	
PROJECT APPROVAL				DWG. NO.		FC2000-20		
FINAL APPROVAL	TEF	05/07/03	ASCO ASCO POWER TECHNOLOGIES, L.P. FLORHAM PARK, NEW JERSEY 07932 U.S.A.		DRAWING REV.	ECN NO.	226169	SHEET 2 OF 2