

NO.	PART NO.	DESCRIPTION	QTY
1		POLE	1
2	N01-313	POLE CLAMP BAND NO. 3	2
3		MOUNTING BRACKET CHANNEL	1
4	NUT041016G	NUT HEX M16 GR 8 GALV	4
5	SCG024062	BOLT HEX M16x220 GR 4.6 GAL	4
6	WAS001059	WASHER FLAT GALV M16x30x3.0	8

A

B

C

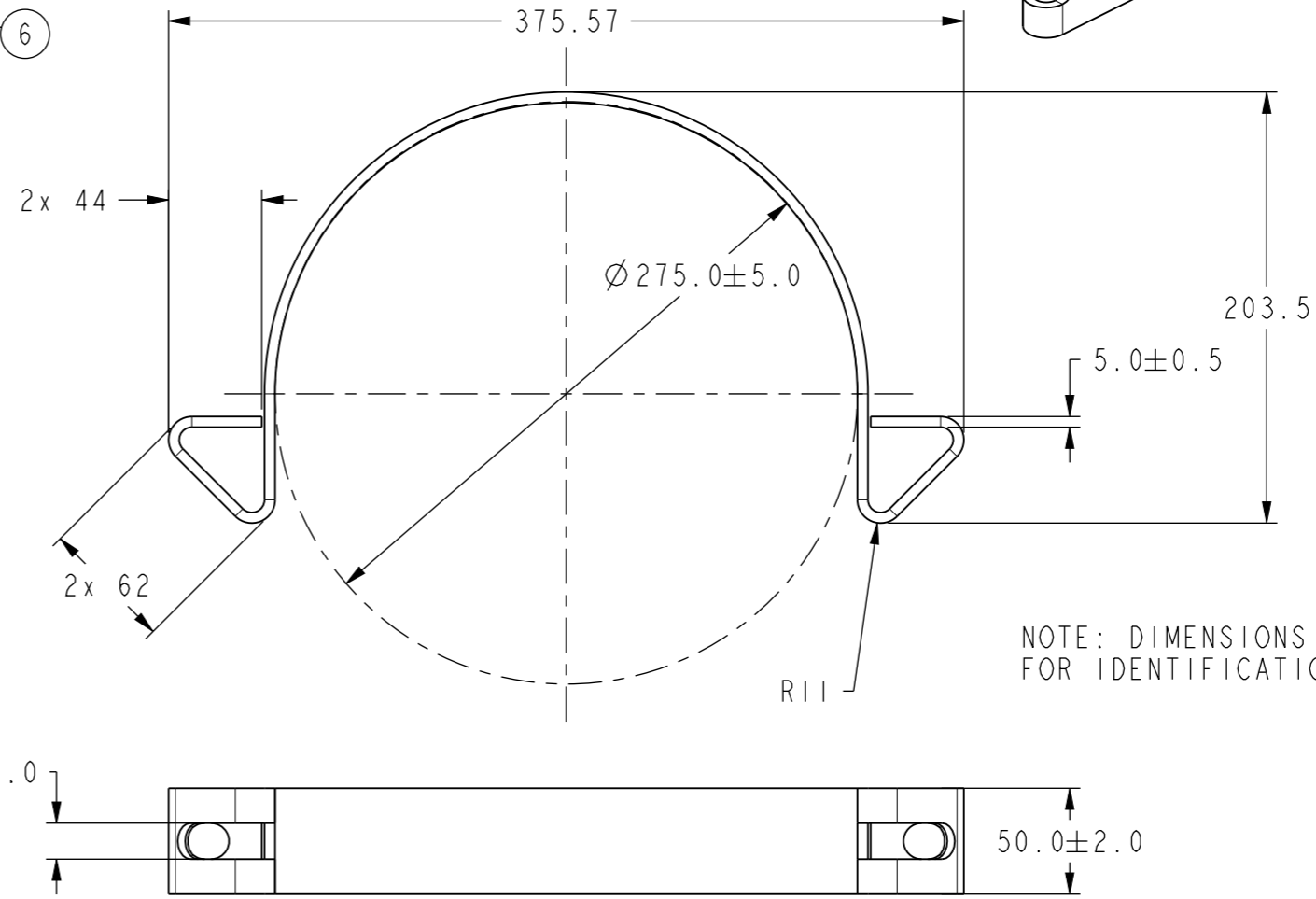
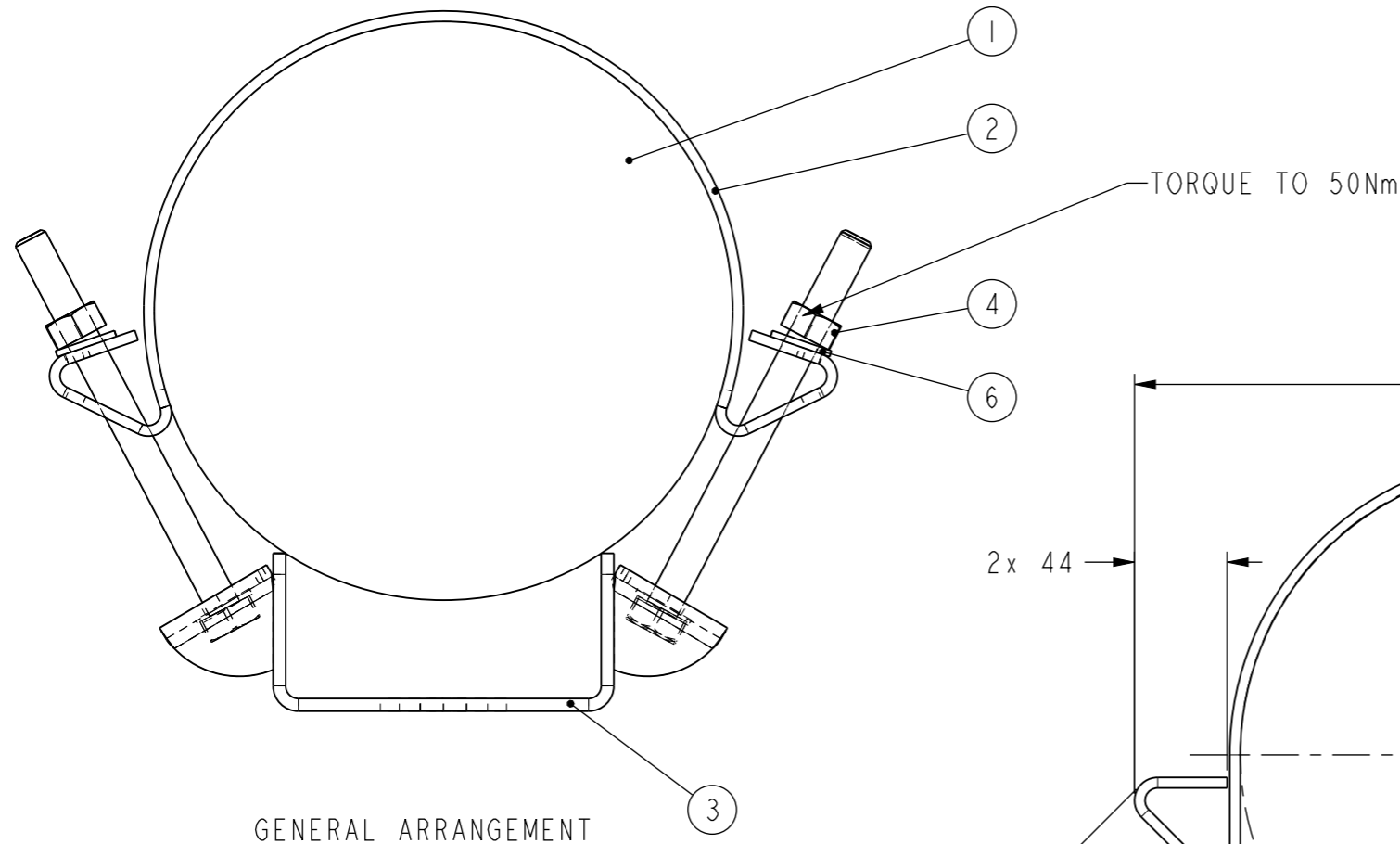
D

A

B

C

D



MATERIAL	MILD STEEL GRADE 250
SURF. ROUGHNESS	<12.5µm Ra UNLESS OTHERWISE STATED
FINISH	DEBURR ALL EDGES
COATING	GALVANISED TO AS4680
WORK INSTRUCTION	
INSPECTION INSTR.	

REV	DATE	ISSUE	DRW	CHK	APP	DESCRIPTION
A	11/04/03		DRS	MP	MP	INITIAL RELEASE
01	07/06/018		SM		AD	DESCRIPTION CHANGE & BOM UPDATE

GENERAL TOLERANCES	
LINEAR	±1.0mm
ANGULAR	±0.5°
UNMARKED RADII	1.0 MAX 0.5 MIN
DO NOT SCALE	

	Scale: 0.300 Technical Specification: ISO 8015 Units of measure: mm
	Document Description: MNTG POLE CLAMP BAND KIT TYP3 270-310MM Document Number: N01-31302 Doc. Rev. 01 Sheet: 1/1
The information is highly confidential and is the exclusive property of Schneider Electric copyright reserved. This drawing must not be used for any purpose other than that expressly permitted in writing by the owners and must not be disclosed or reproduced in any way without permission from the owners in writing. This drawing must be returned to the owners when the purpose has ceased.	
State: Provisional	