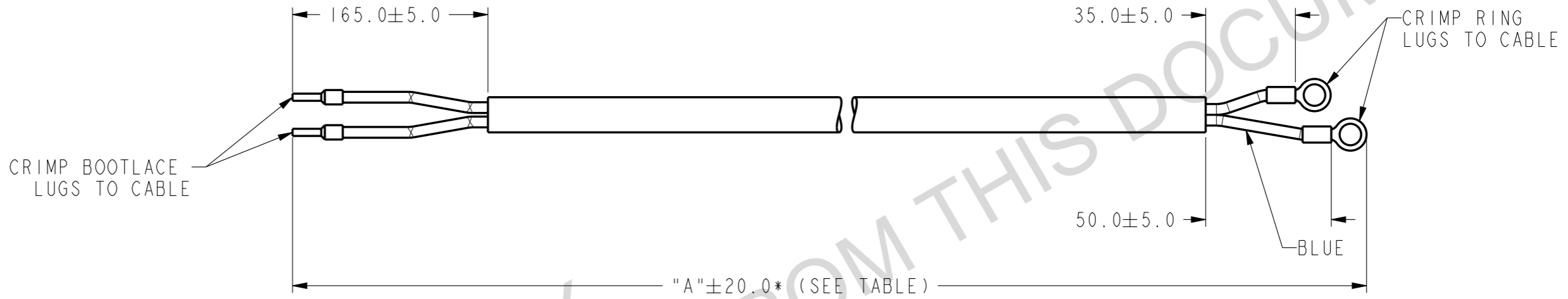


NO.	PART NO.	DESCRIPTION	QTY
1	CAB153045	CABLE 2.5mm ² 50/0.25 2C&E BLACK	*
2	LUG164107	BOOT LACE LUG 2.5mm GREY	2
3	LUG164077	LUG INSUL BLUE RING 6mm	2

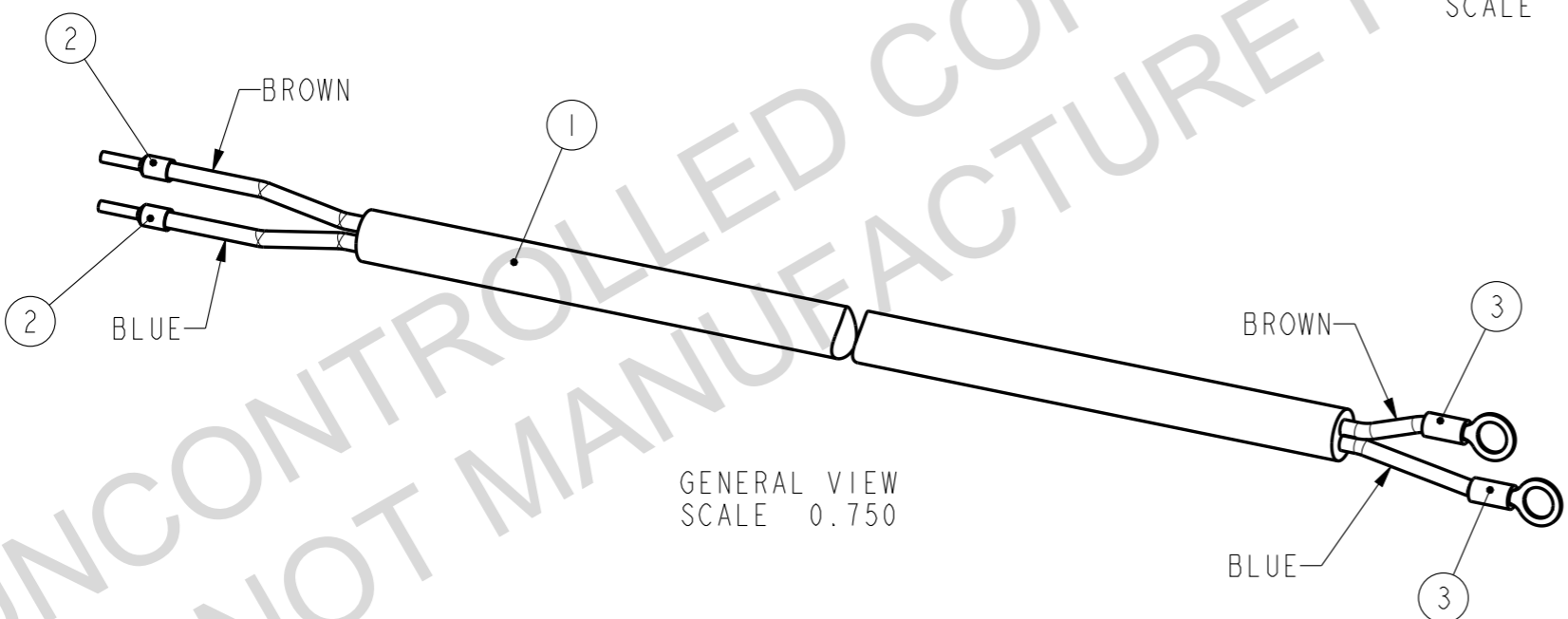
NOTE: CUT OFF GREEN/YELLOW EARTH WIRE FLUSH TO CABLE ON BOTH ENDS

INSTRUCTIONS

1. CRIMPS MUST MEET CRIMPING DETAILS REFERRED TO IN WORK INSTRUCTION ACC01-4006



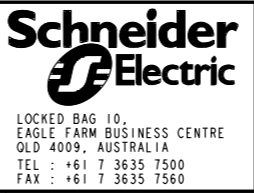
FRONT VIEW
SCALE 0.750



GENERAL VIEW
SCALE 0.750

PART No.	"A"
N01-442-1500	1500 mm
N01-442-3000	3000 mm
N01-442-9000	9000 mm
N01-442-11M	11000 mm
N01-442-13M	13000 mm
N01-442-18M	18000 mm
N01-442-22M	22000 mm

REV	DATE	ISSUE	DRW	CHK	APP	DESCRIPTION
E	11/04/03	-	JAS		MP	CONVERTED TO PRO ENGINEER
F	3/06/04	RFC08628	DRS	JAS	MP	ADDED 11M OPTION
G	24/08/06	RFC11183	MF	DRS	MP	LENGTH 1100 CHANGED TO 1500
H	13/9/10	-	BdG	MM	AS	ADDED 18m CABLE LENGTH
I	11/07/14	ID 12	GSK	VN	DSh	ADDED 22m CABLE LENGTH



TITLE: POWER CABLE EXTERNAL VT
PUBLIC FILE: F:\RELEASE DRAWING\CURRENT DRAWING\N SERIES\N01-442 REV 1

DWG NO: N01-442
SHEET: 1 OF 1
DIMENSIONS IN MM: A3
REV: I

CONDITION OF ISSUE OF THIS INFORMATION: THE INFORMATION CONTAINED ON THIS DRAWING IS CONFIDENTIAL AND PROTECTED BY COPYRIGHT. IT IS NOT TO BE COPIED OR DISCLOSED TO ANY OTHER PARTY WITHOUT THE PERMISSION IN WRITING OF SCHNEIDER ELECTRIC. ANY PERSON FOUND TO BE IN BREACH OF THIS CONDITION WILL BE PROSECUTED.