

A

B

C

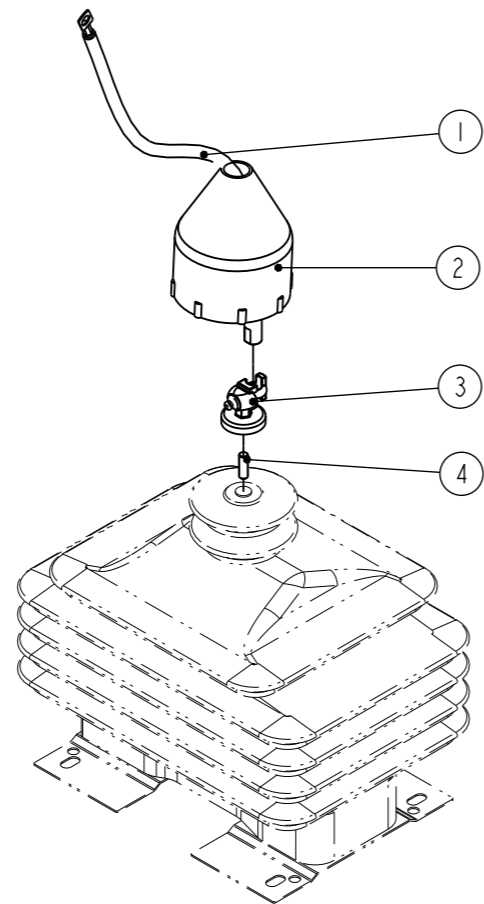
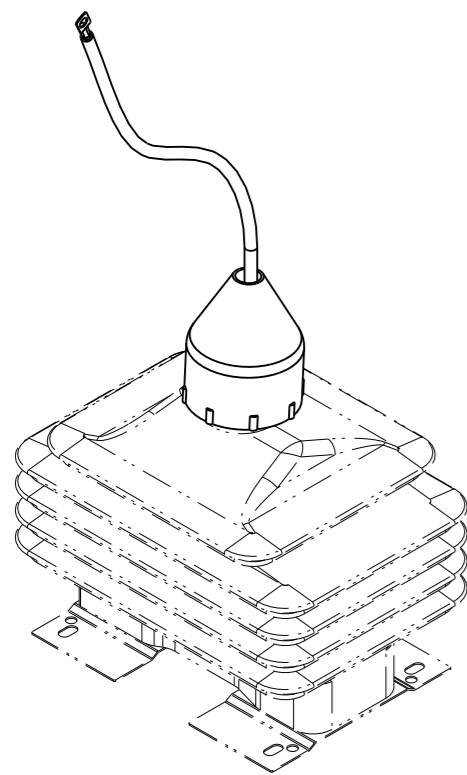
D

A

B

C

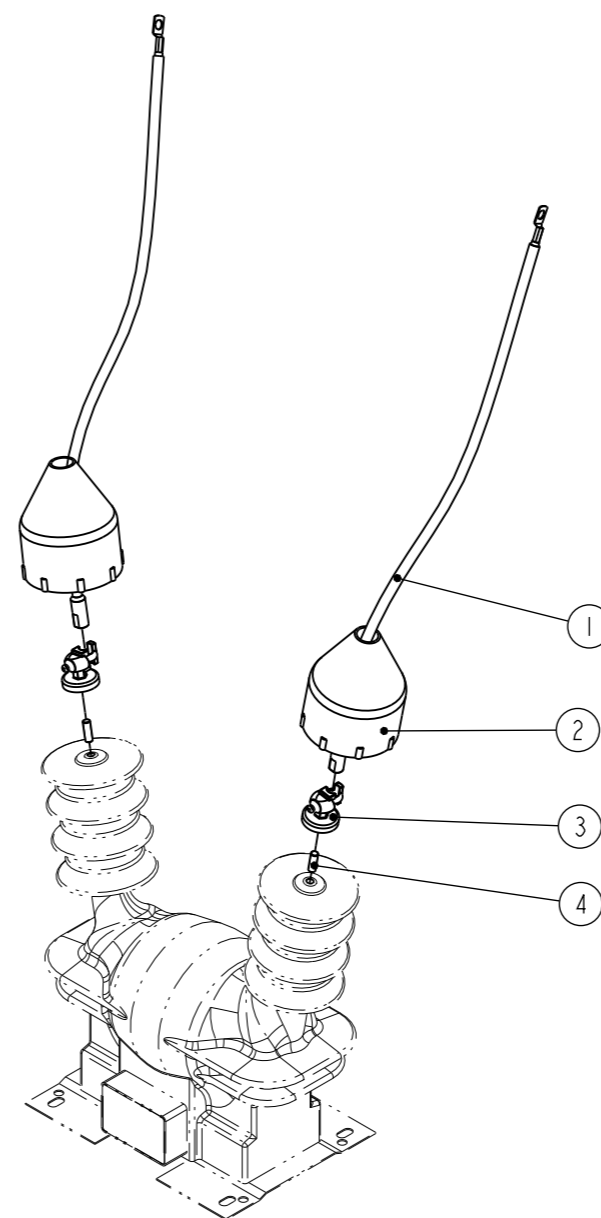
D



SWER

FG NO. - 990000088 : VT HV 1X CABLE KIT 250A 3M 80MM SWER

SWER			
SL.NO	PART NAME	DESCRIPTION	QTY
1	CAB150057	Cable H2O Block 11kv CCT 80mm 7/3.75 Al	3.15M
2	INS019107	Terminal bushing guard VT guard	2
3	LUG163150	HV cap peen eye bolt M10 thread	2
4	WEL067318	Screw socket HD M10x25 SS304 A2-70	2



FG NO. - 990000086 : VT HV 2X CABLE KIT 250A 1.5M 80MM
990000087 : VT HV 2X CABLE KIT 250A 3M 80MM

SL.NO	PART NAME	DESCRIPTION	QTY
1	CAB150057	Cable H2O Block 11kv CCT 80mm 7/3.75 Al	2
2	INS019107	Terminal bushing guard VT guard	2
3	LUG163150	HV cap peen eye bolt M10 thread	2
4	WEL067318	Screw socket HD M10x25 SS304 A2-70	2

Cable rating	Cable tail Assm.	Cable	Length mm
250AMP	ACC01-1020	CAB150057	1500mm
250AMP	ACC01-1021	CAB150057	3000mm

	Scale: 0.100 Technical Specification: ISO 8015 Units of measure: mm
	Document Description: HV CABLE KIT 250A 15M & 3M Document Number: ACC01-1020 Doc. Rev. 00 Sheet: 1/1
The information is highly confidential and is the exclusive property of Schneider Electric copyright reserved. This drawing must not be used for any purpose other than that expressly permitted in writing by the owners and must not be disclosed or reproduced in any way without permission from the owners in writing. This drawing must be returned to the owners when the purpose has ceased.	
State: Provisional	