

1

2

3

4

A

A

B

B

C

C

D

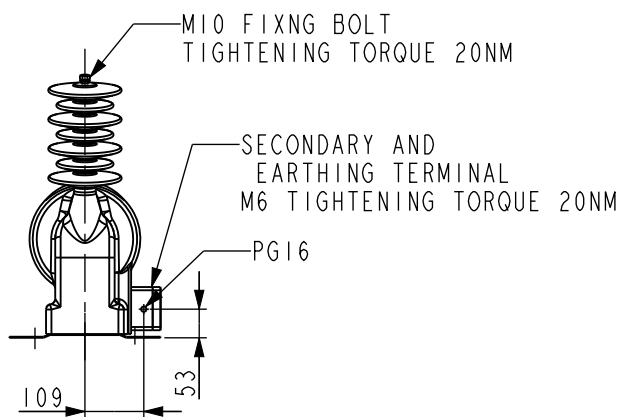
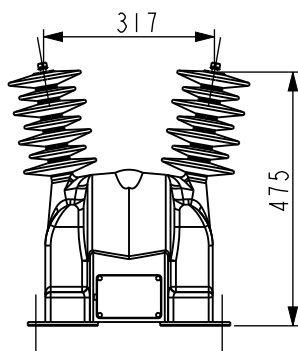
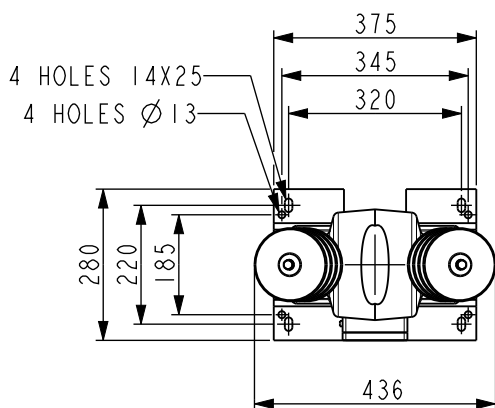
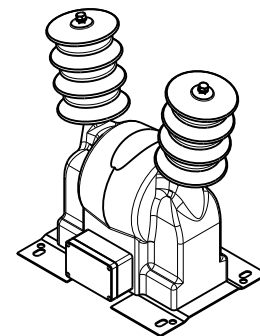
D

E

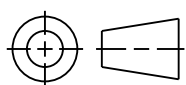
E

F

F



PURCHASING REFERENCE	PART DETAILS
990000079	VT EXT PH-PH SCHNEIDER 11KV/240V
9900000710	VT EXT PH-PH SCHNEIDER 11KV/110V
990000081	VT EXT PH-PH SCHNEIDER 11KV/28V
9900000720	VT EXT PH-PH SCHNEIDER 15KV/28V
990000082	VT EXT PH-PH SCHNEIDER 22KV/28V
990000077	VT EXT PH-PH SCHNEIDER 22KV/240V



Scale:  
0.071

Technical Specification:  
ISO 8015

Units of measure :  
MM



Document Description:  
VT PHASE-PHASE 7.2 TO 24KV TYPE OVC2/S1

Document Number:  
**PHA9314802**

Doc. Rev.  
**00**

Sheet:  
**1 / 1**

The information is highly confidential and is the exclusive property of Schneider Electric copyright reserved. This drawing must not be used for any purpose other than that expressly permitted in writing by the owners and must not be disclosed or reproduced in any way without permission from the owners in writing. This drawing must be returned to the owners when the purpose has ceased.

State:

**Provisional**