

Data Bulletin

QED-2/S Switchboards 2 kA and 4 kA Thermal-Rated Through Bus Class 2742

Retain for future use.

Why thermal-rated through bus?

The 2 kA and 4 kA thermal-rated through bus designs were created to help Schneider Electric:

- be more competitive in the marketplace;
- better meet engineering specifications.

Thermal-rated through bus is now the standard offering. Density-rated through bus will continue to be offered, but must be selected as an option when it is required.

2 kA Thermal-Rated Through Bus

Ratings

- Two-lamination copper through bus
- 1601–2000 A, thermal-rated

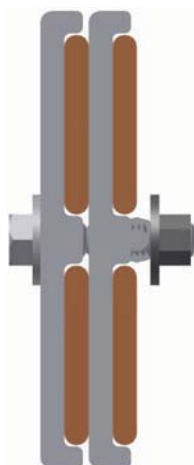
Standard

Meets UL 891 standard for temperature rise and short circuit requirements.

Design Comparison

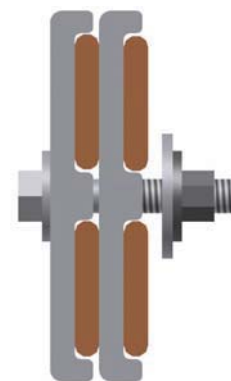
Density-Rated 2 kA Design

Four 2.00 in. x 0.25 in.
copper bars per phase



Thermal-Rated 2 kA Design

Four 1.50 in. x 0.25 in.
copper bars per phase



Splice Connections

An e-connector is required for each phase and neutral when connecting 1601–2000 A switchboard sections. To receive the correct e-connectors, customers must provide the through bus size (1.5 or 2.0 in.) of their existing section(s) to their local Schneider Electric representative.

4 kA Thermal-Rated Through Bus

Ratings

- Four-lamination copper through bus
- 3001–4000 A, thermal-rated

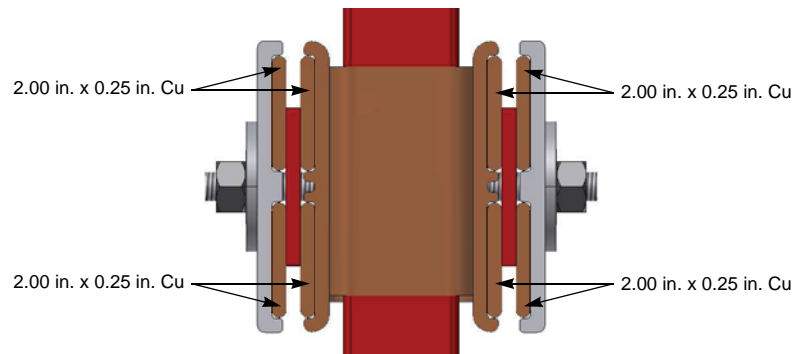
Standard

Meets UL 891 standard for temperature rise and short circuit requirements.

Design Comparison

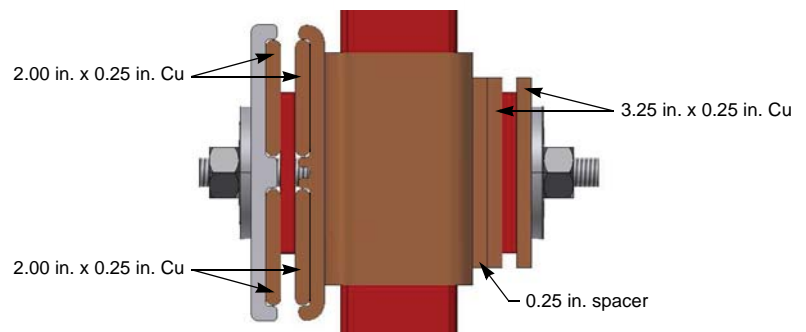
Density-Rated 4 kA Design

Four copper laminations; eight bars total
Four 2.00 in. x 0.25 in. bars in front
Four 2.00 in. x 0.25 in. bars in rear



Thermal-Rated 4 kA Design

Four copper laminations; six bars total
Four 2.00 in. x 0.25 in. bars in front
Two 3.25 in. x 0.25 in. bars in rear



Rear copper lamination (3.25 in. x 0.25 in.)



Splice Connections

Schneider Electric provides two e-connectors per phase and neutral. Both e-connectors per phase and neutral are required for connecting to an existing section with density-rated through bus. Only one e-connector per phase and neutral is required when connecting to thermal-rated through bus.

Schneider Electric
1010 Airpark Center Drive
Nashville, TN 37217 USA
1-888-SquareD (1-888-778-2733)
www.schneider-electric.us

Electrical equipment should be installed, operated, serviced, and maintained only by qualified personnel. No responsibility is assumed by Schneider Electric for any consequences arising out of the use of this material.